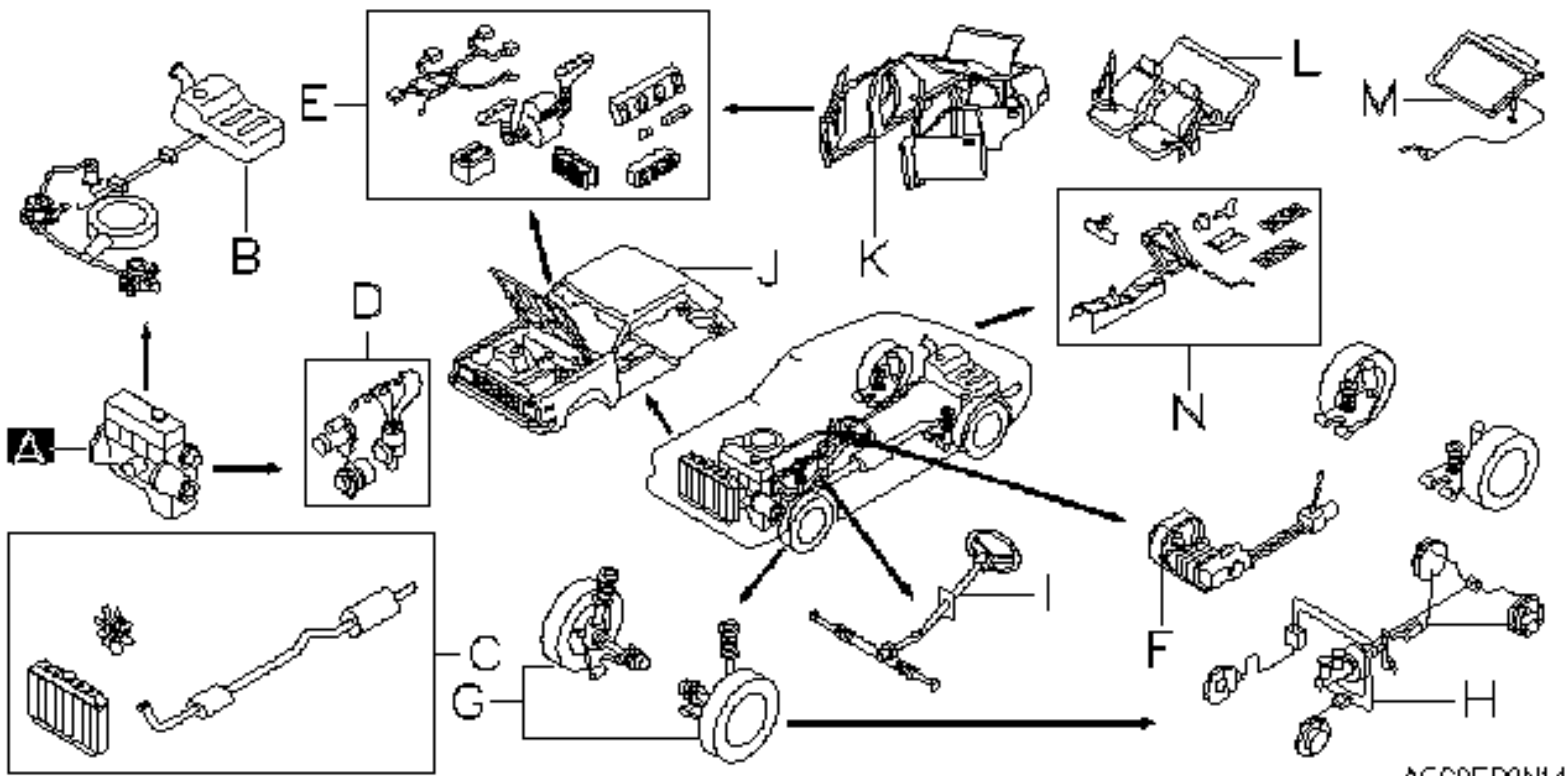


Nissan Pulsar GTI-R - Main Menu



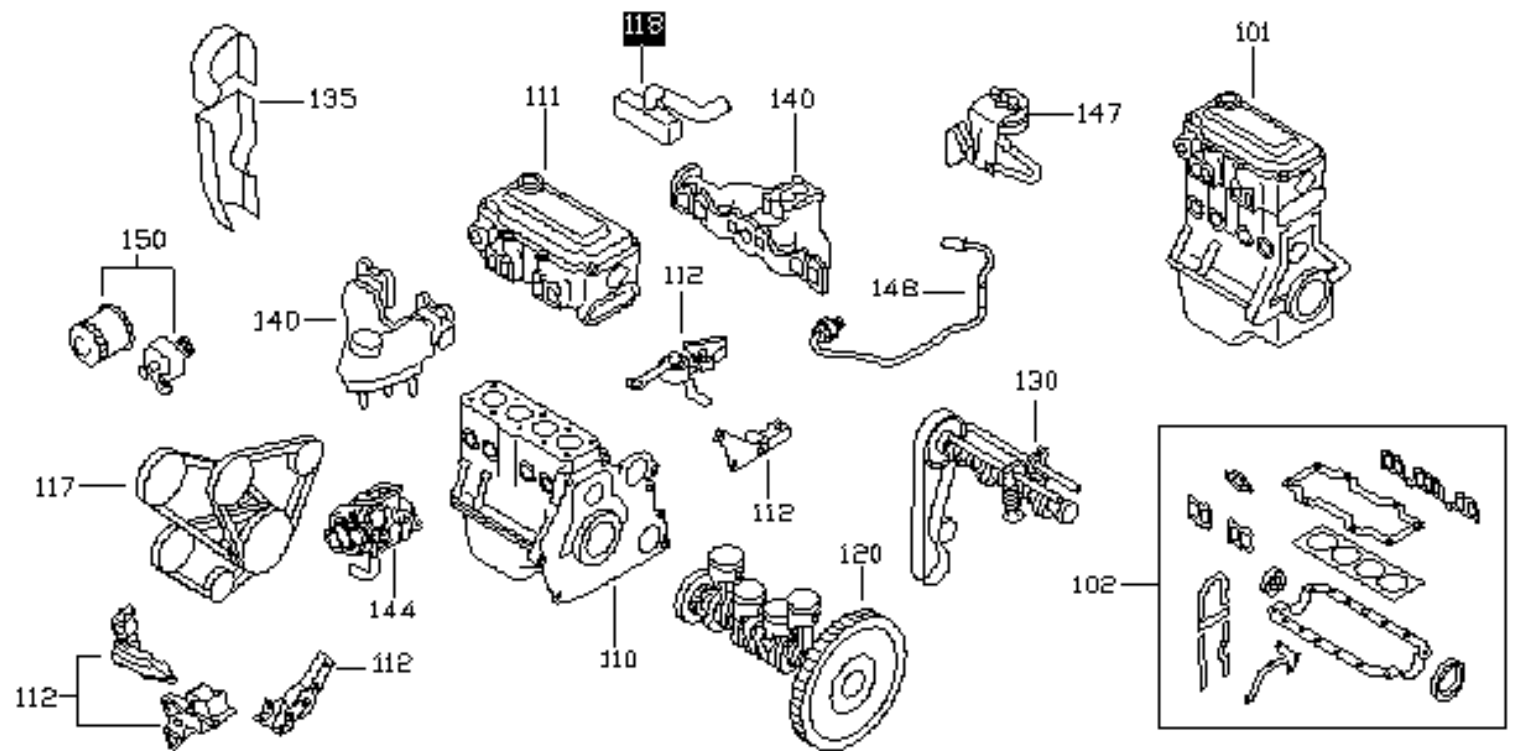
Index

- | | | |
|---|---|---|
| A- Engine Mechanical | B - Fuel & Engine Control | C - Exhaust & Cooling |
| D - Engine Electrical | E - Body Electrical | F - Power Train |
| G - Axle & Suspension | H - Brakes | I - Steering |
| J - Body Front | K - Body Side | L - Seats |
| M- Body Rear | N - Miscellaneous | |

[USER GUIDE](#)

S & E Motorparts

Nissan Pulsar GTI-R - Engine Mechanical



AA00ER0N14

Index

[Back To Main Menu](#)

101 - [Bare & Short Engine](#)

102 - [Engine Gasket Kits](#)

110 - [Cylinder Block](#)

111 - [Cylinder Head & Rocker Cover](#)

112 - [Engine & Transmission Mountings](#)

117 - [Belts](#)

118 - [Crankcase Ventilation](#)

120 - [Pistons, Crankshaft & Flywheel](#)

130 - [Camshafts & Valves](#)

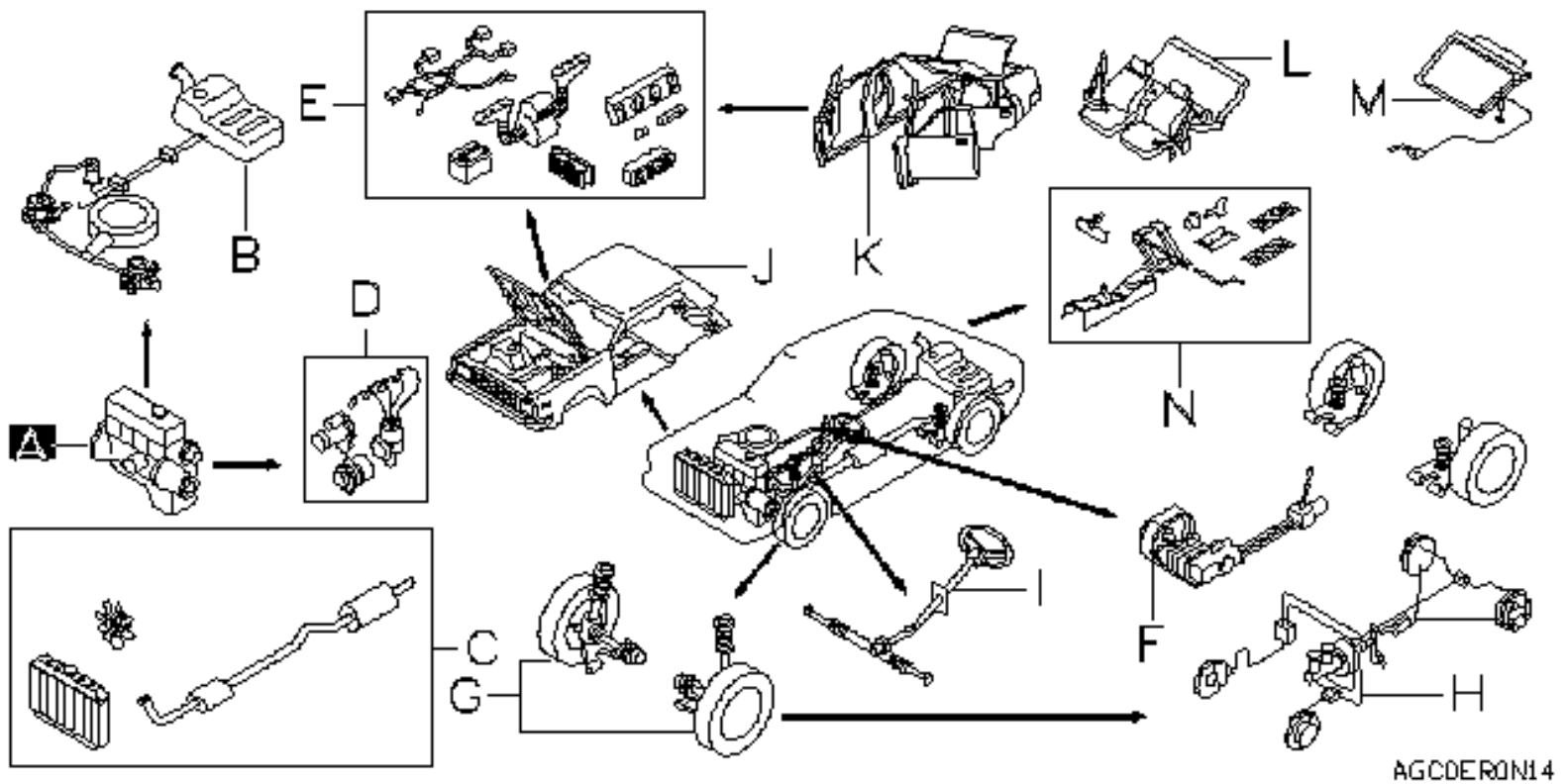
135 - [Front Cover \(Oil Pump \)](#)

140 - [Manifold](#)

144 - [Turbo & Intercooler](#)

148 - [Secondary Air System](#)

150 - [Lubrication System](#)

Nissan Pulsar GTI-R - Main Menu

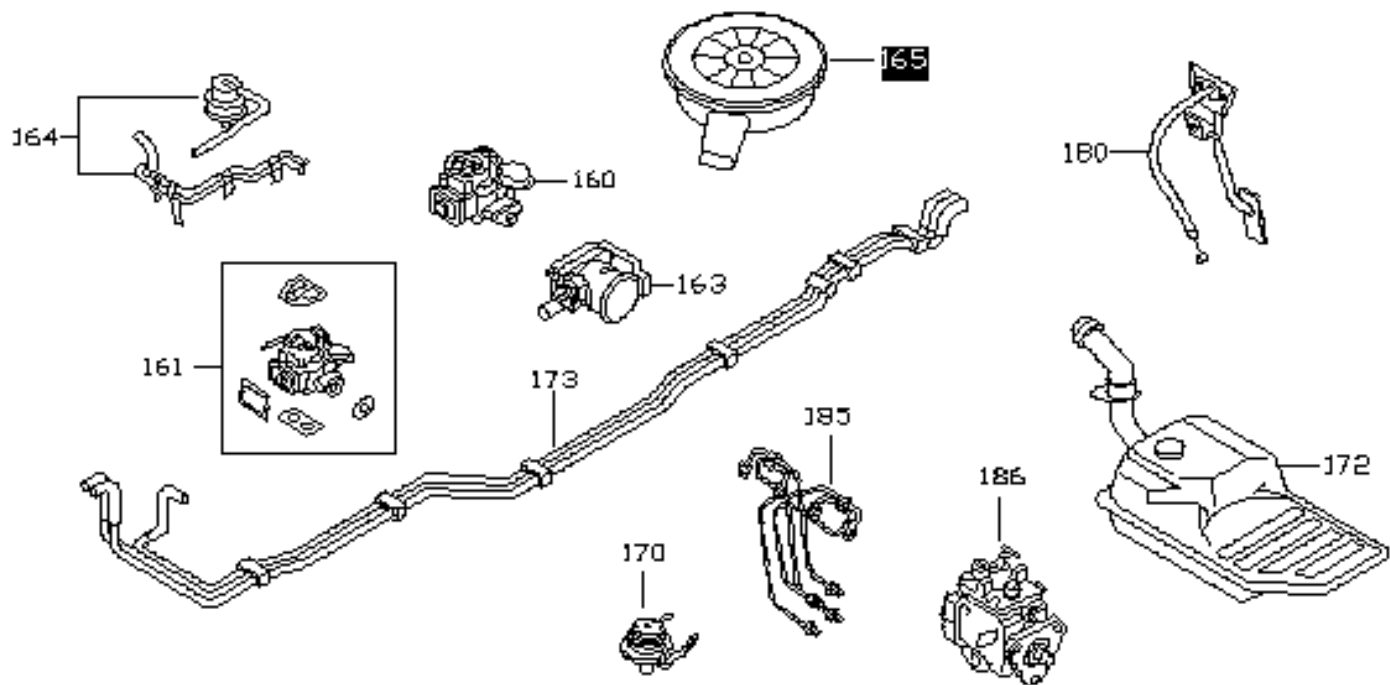
AGC0ER0N14

Index

- | | | |
|---|---|---|
| A- Engine Mechanical | B - Fuel & Engine Control | C - Exhaust & Cooling |
| D - Engine Electrical | E - Body Electrical | F - Power Train |
| G - Axle & Suspension | H - Brakes | I - Steering |
| J - Body Front | K - Body Side | L - Seats |
| M- Body Rear | N - Miscellaneous | |

[USER GUIDE](#)

Nissan Pulsar GTI-R - Fuel & Engine Control



AB00ER0N14

Index

[Back To Main Menu](#)

163 - [Throttle Chamber](#)

164 - [Fuel Strainer & Fuel Hoes](#)

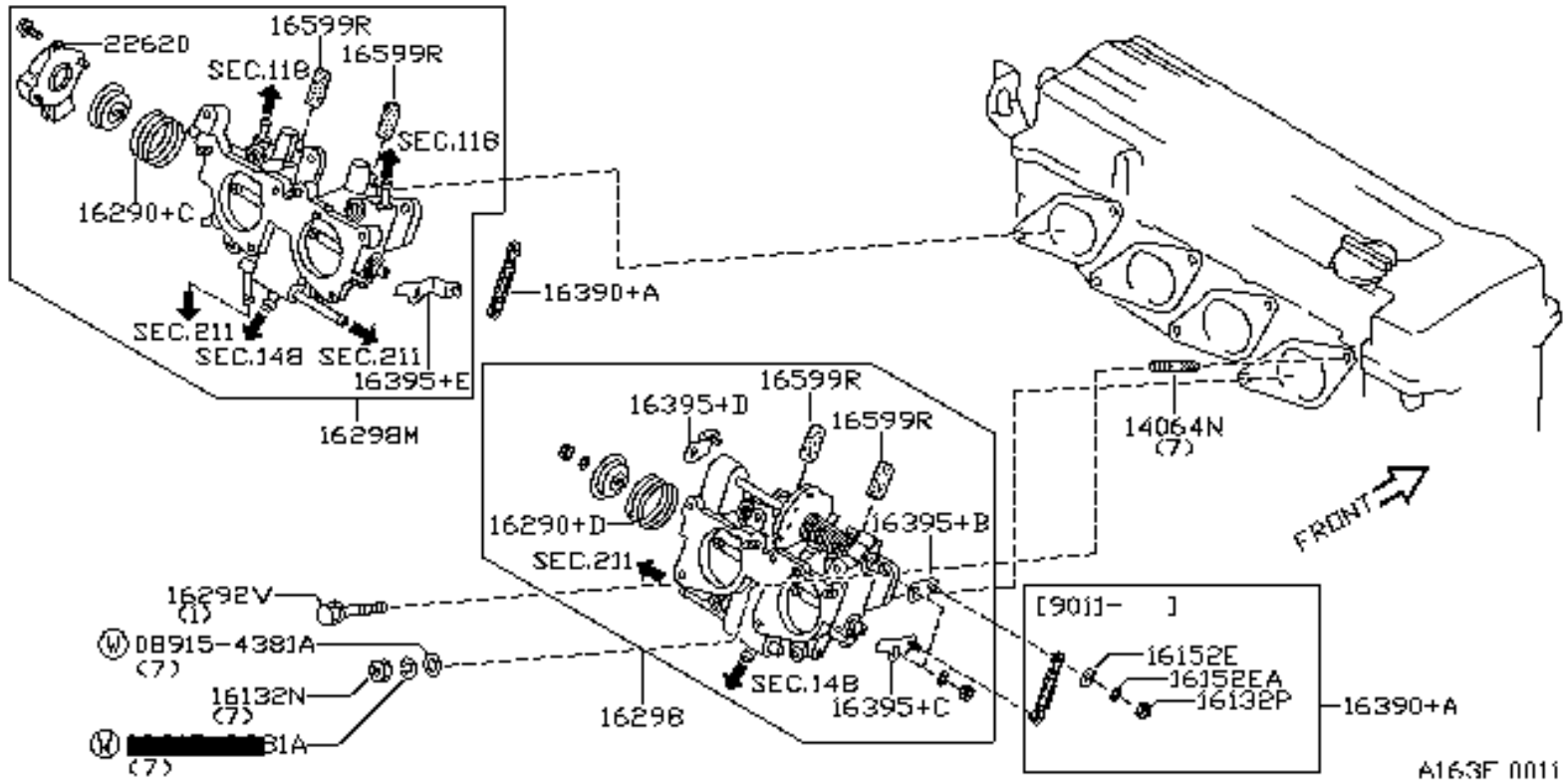
165- [Air Cleaner](#)

172 - [Fuel Tank](#)

173 - [Fuel Piping](#)

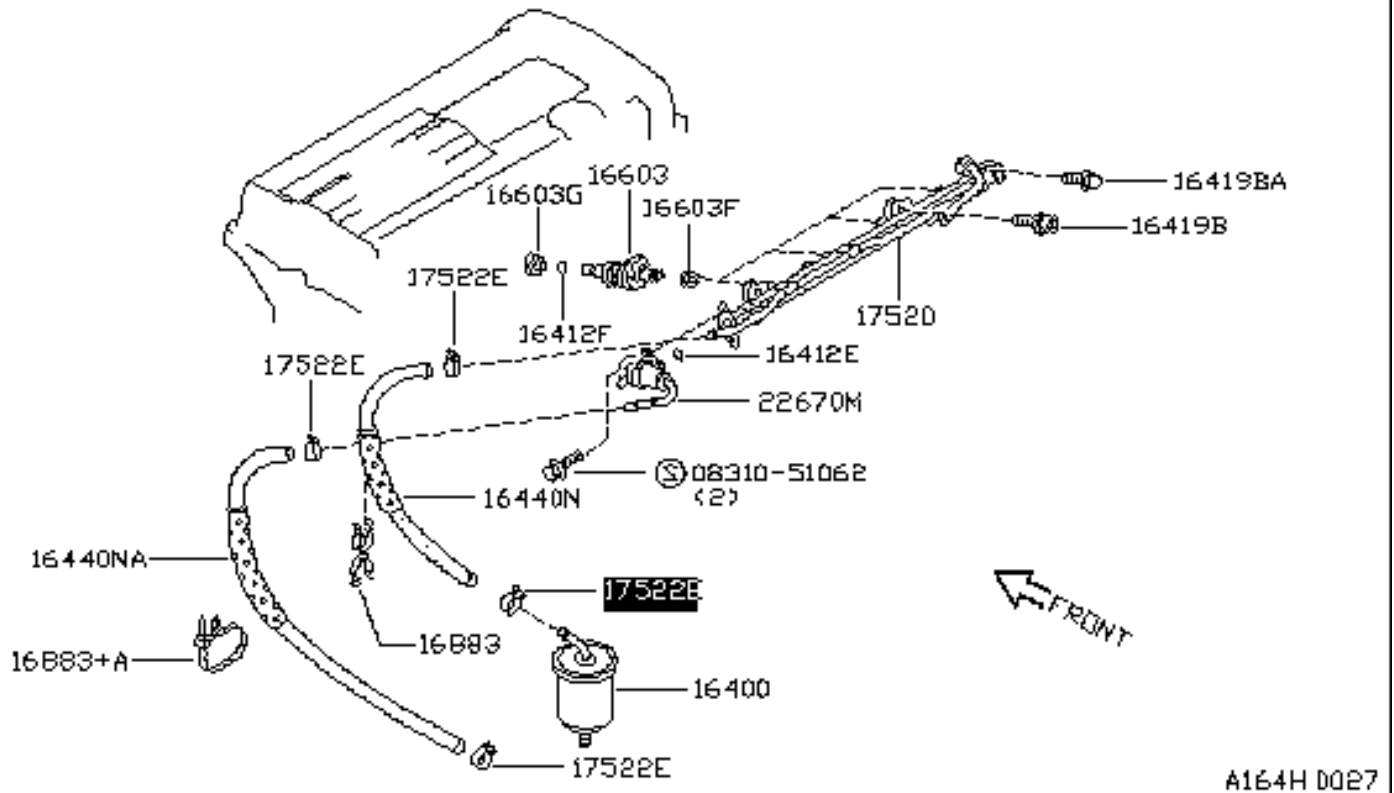
180 - [Accelerator Linkage](#)

Nissan Pulsar GTI-R - Throttle Chamber



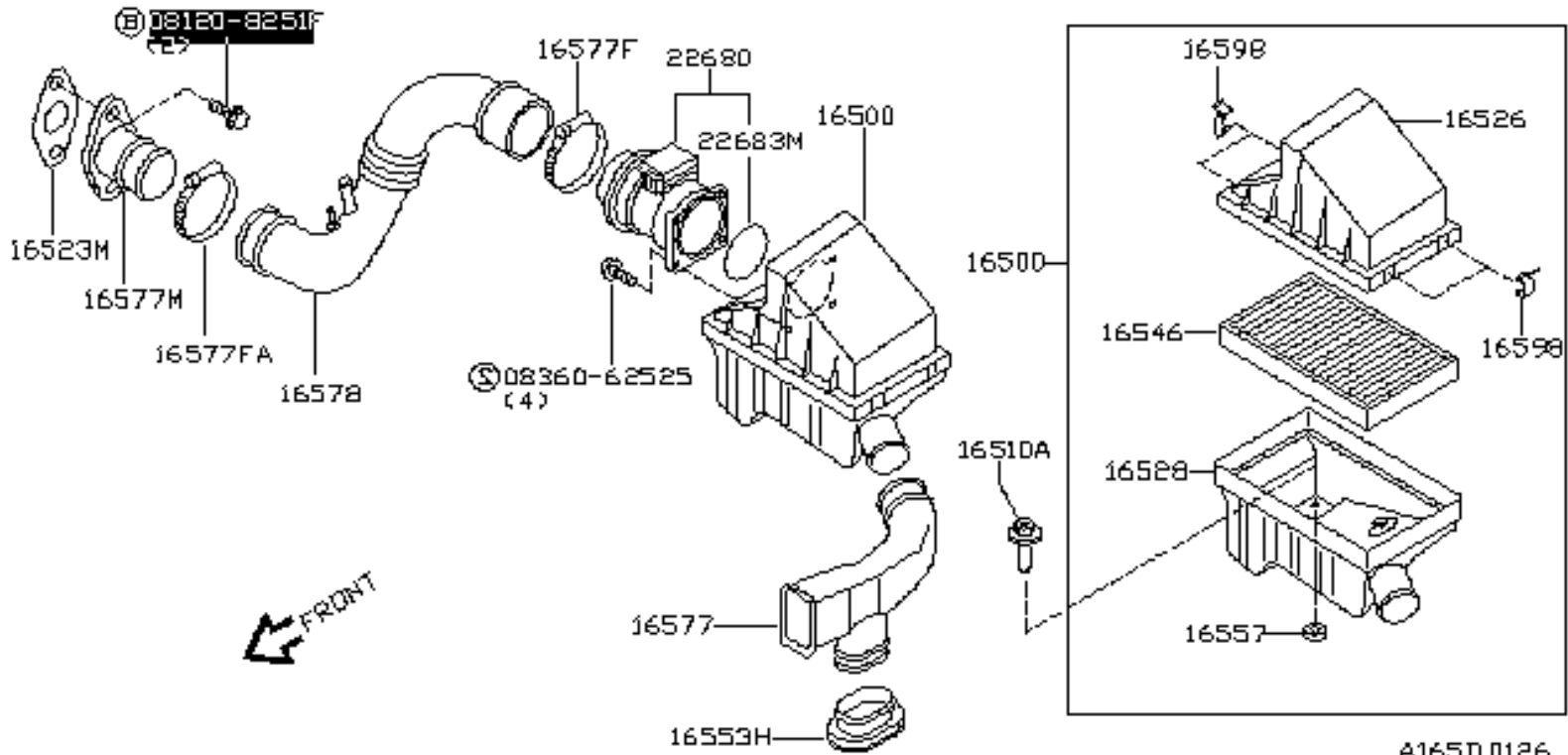
[Back To Fuel & Engine Control](#)

Nissan Pulsar GTI-R - Fuel Strainer & Fuel Hoses



[Back To Fuel & Engine Control](#)

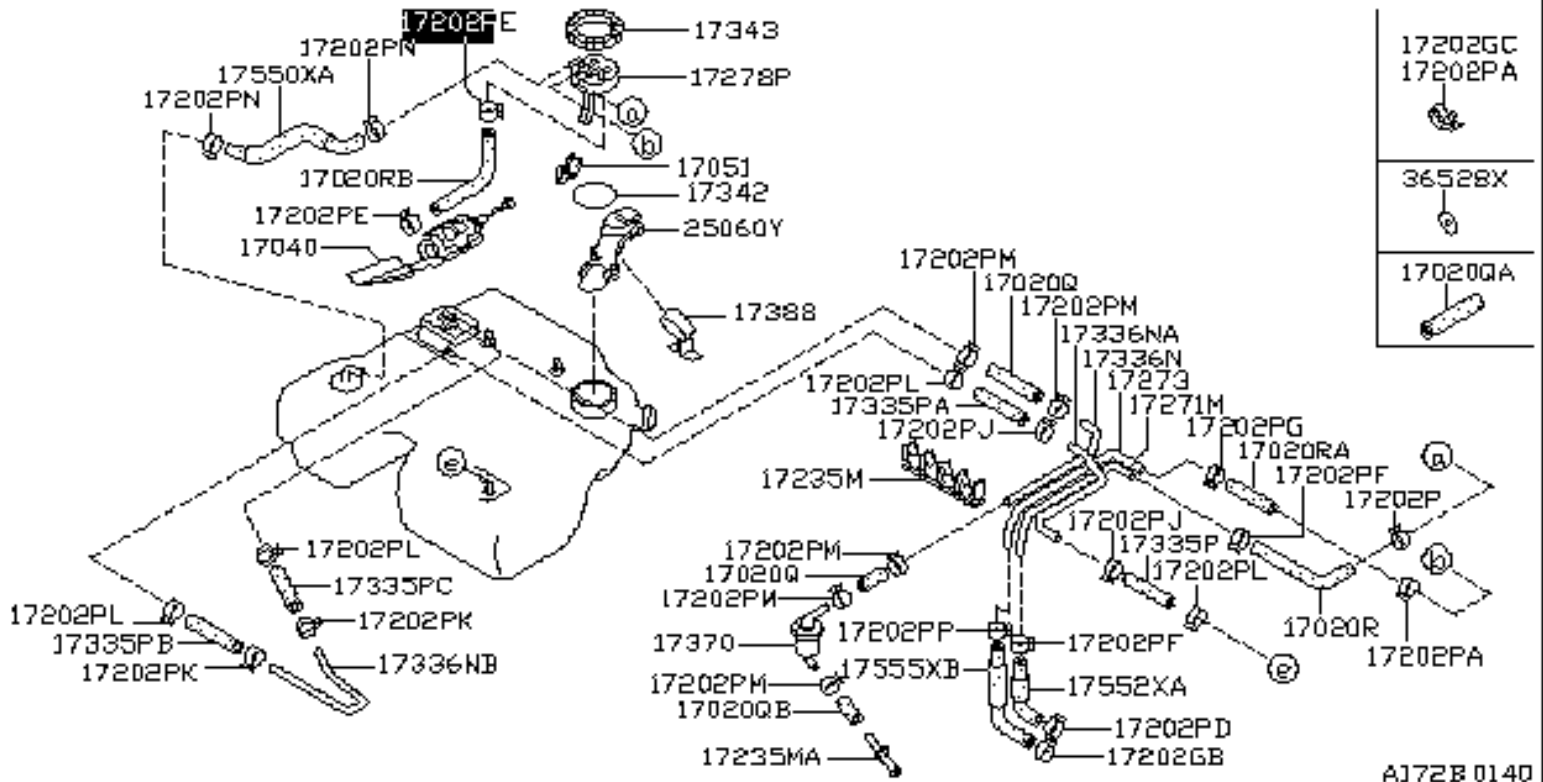
Nissan Pulsar GTI-R - Air Cleaner



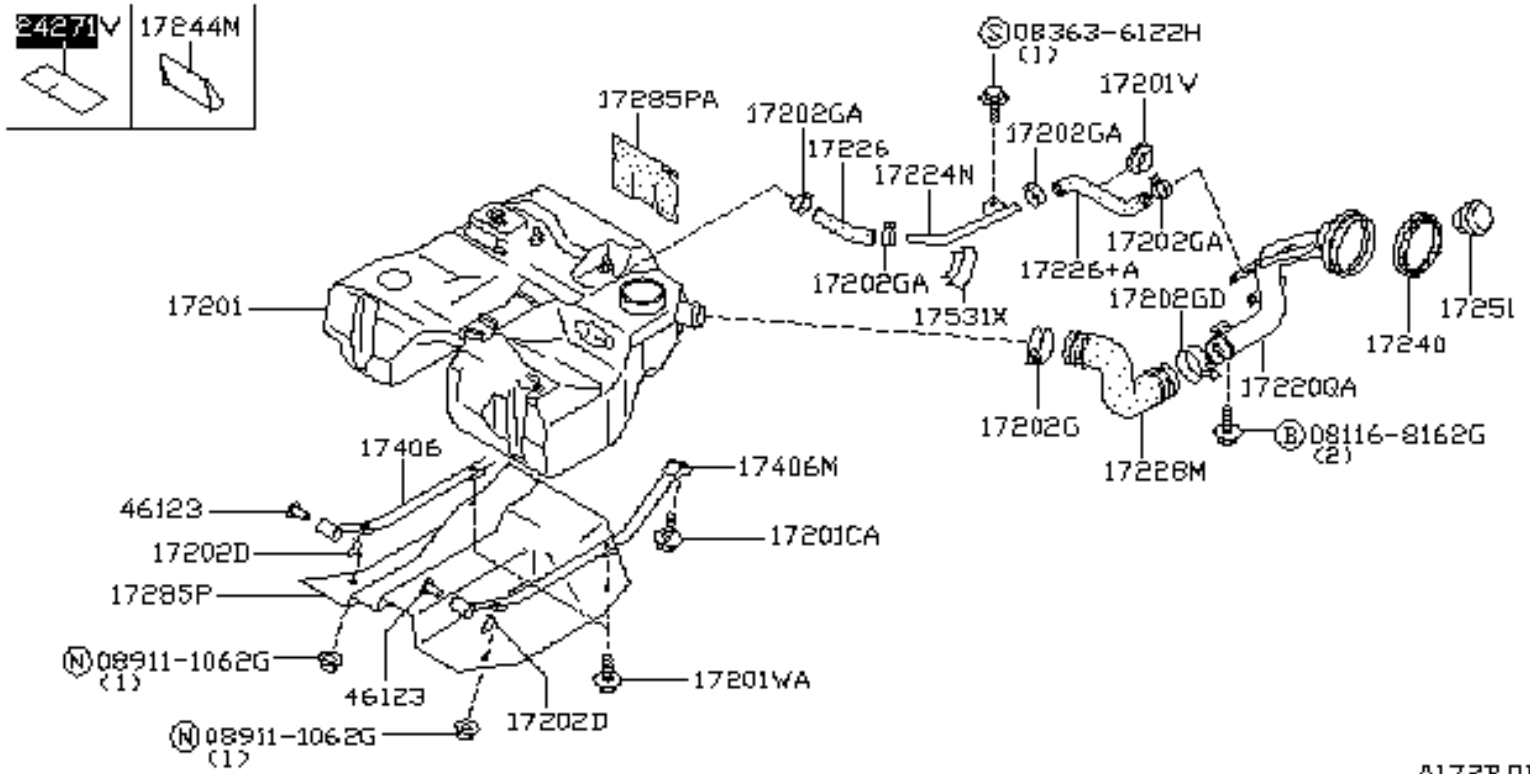
A165D 0126

[Back To Fuel & Engine Control](#)

Nissan Pulsar GTI-R - Fuel Tank Part 1



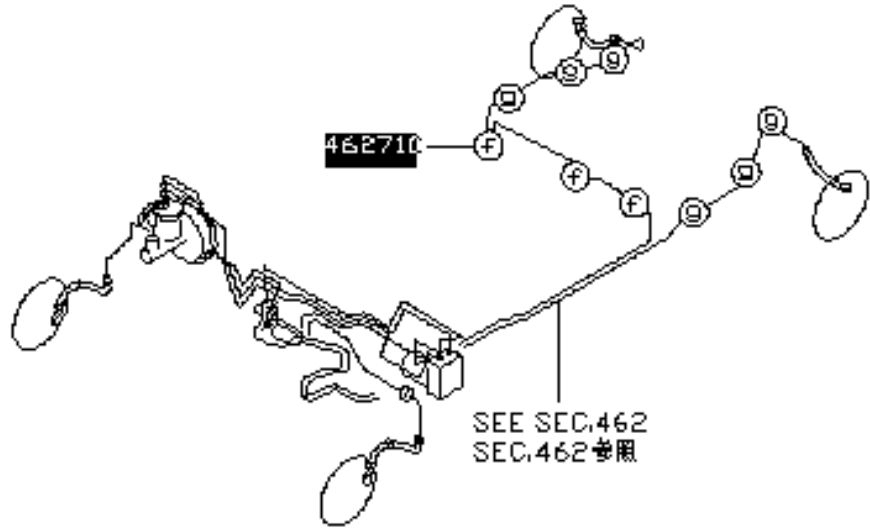
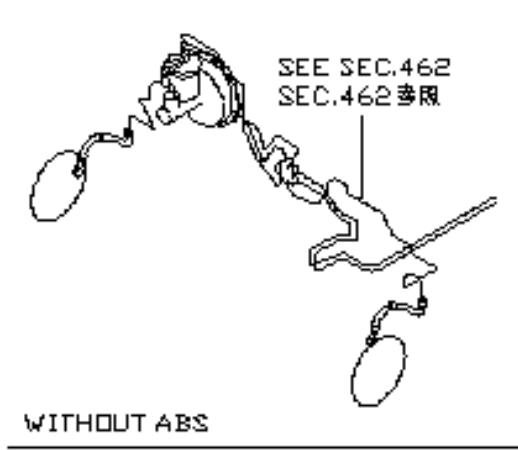
Nissan Pulsar GTI-R - Fuel Tank - Part 2



A172B 0142

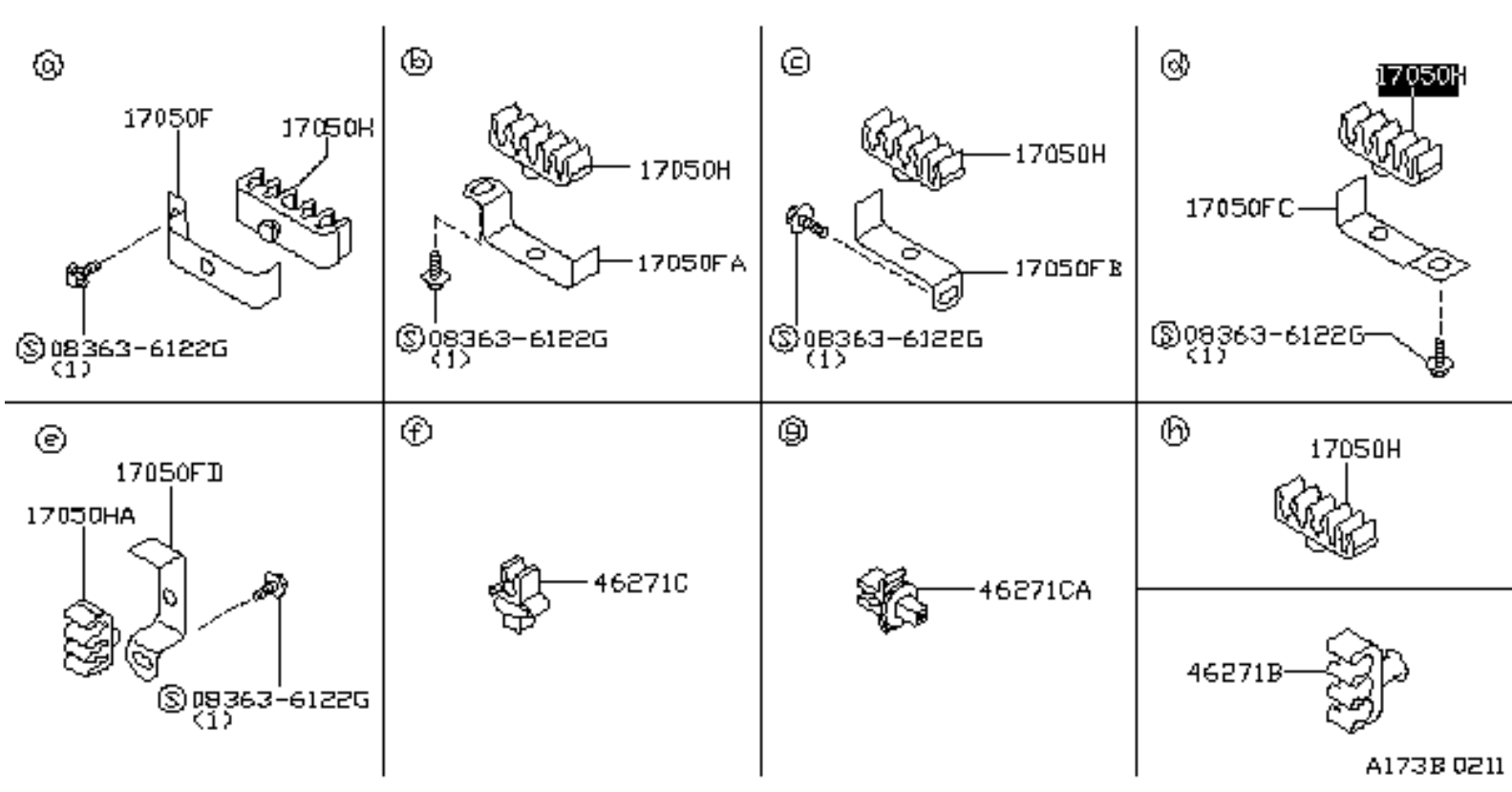
[Back To Fuel & Engine Control](#)

Nissan Pulsar GTI-R - Fuel Piping & Fixings - Part 1

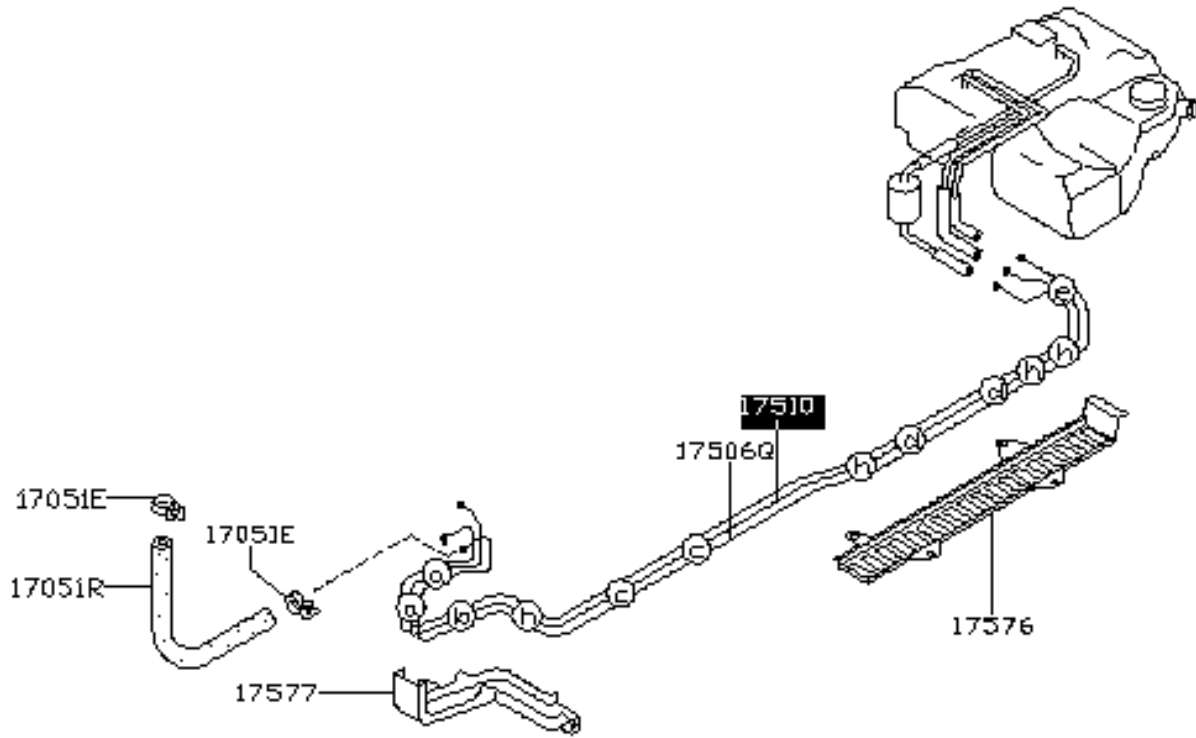


A173B 0209

Nissan Pulsar GTI-R - Fuel Piping & Fixings - Part 2



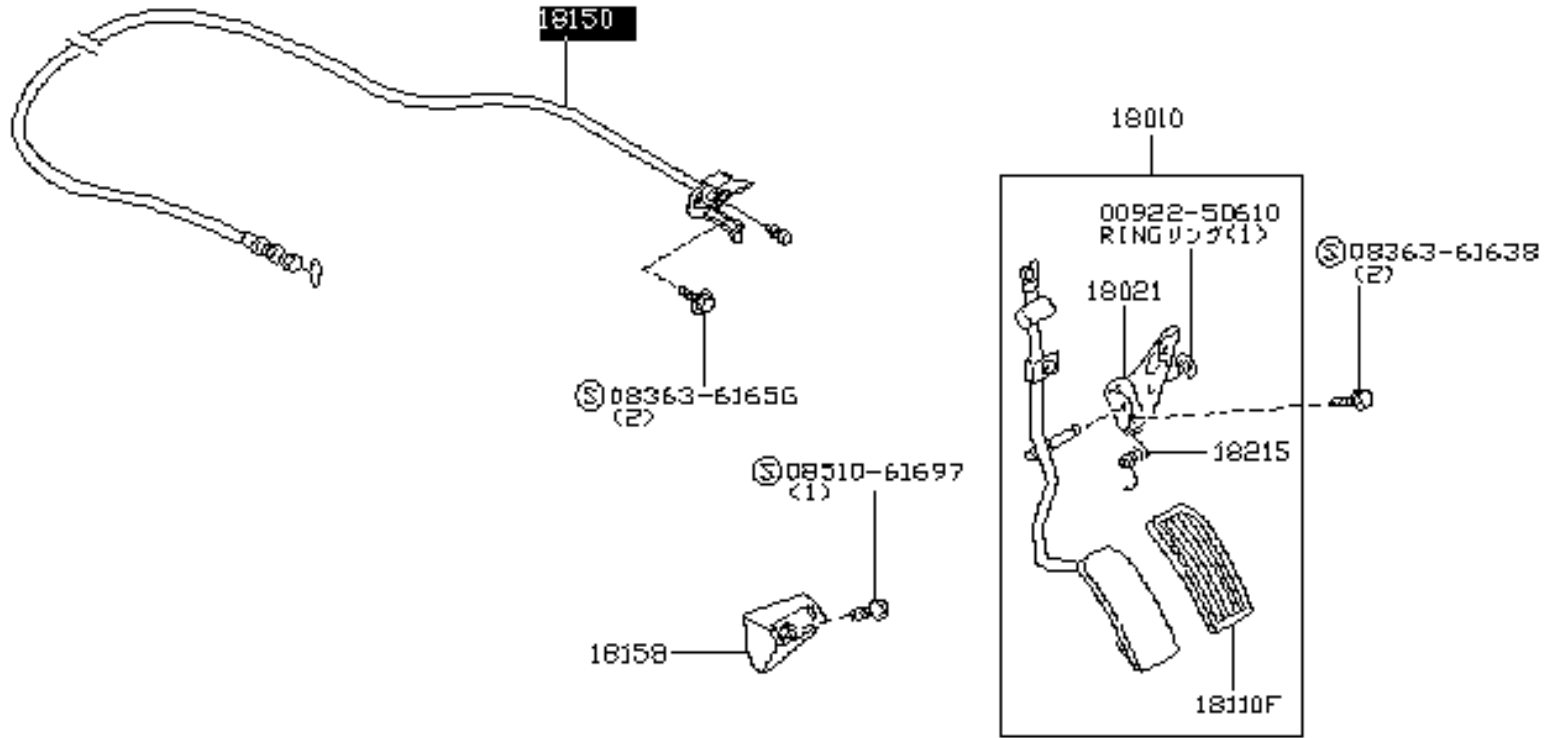
Nissan Pulsar GTI-R - Fuel Piping & Fixings Part 3



A173B 0267

[Back To Fuel & Engine Control](#)

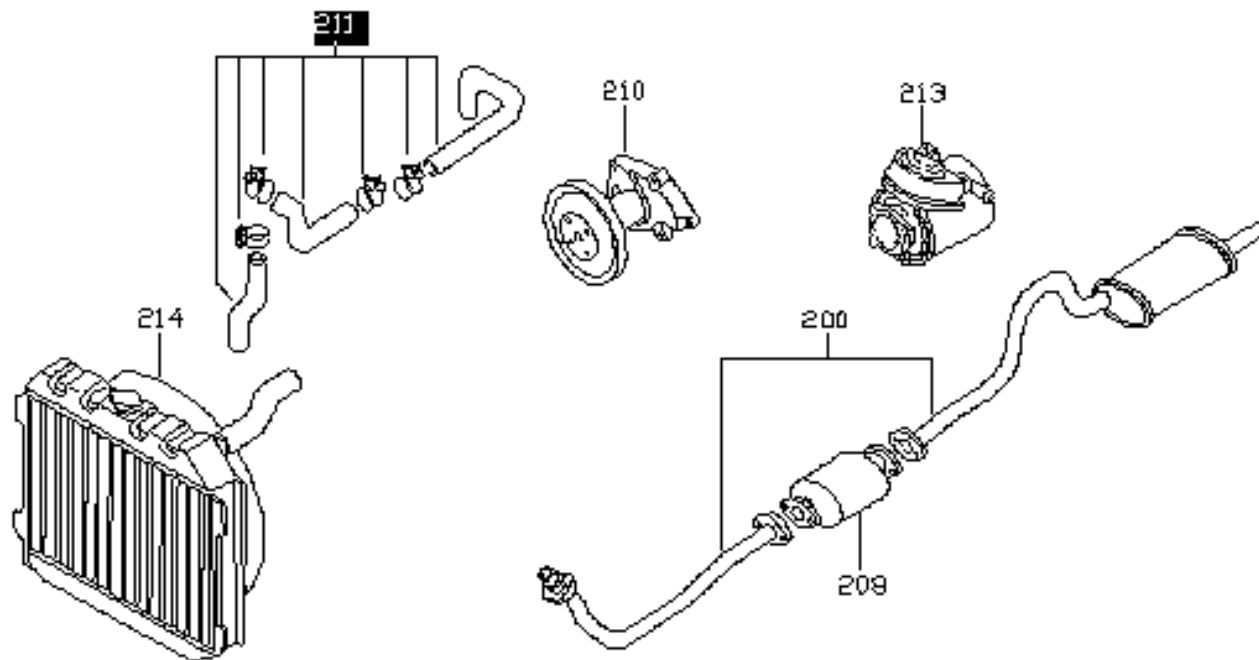
Nissan Pulsar GTI-R - Accelerator Linkage



A1800 0024

[Back To Fuel & Engine Control](#)

Nissan Pulsar GTI-R - Exhaust & Cooling



AC00ER0N14

Index

[Back To Main Menu](#)

200 - [Exhaust System](#)

209 - [Catalyst Converter](#)

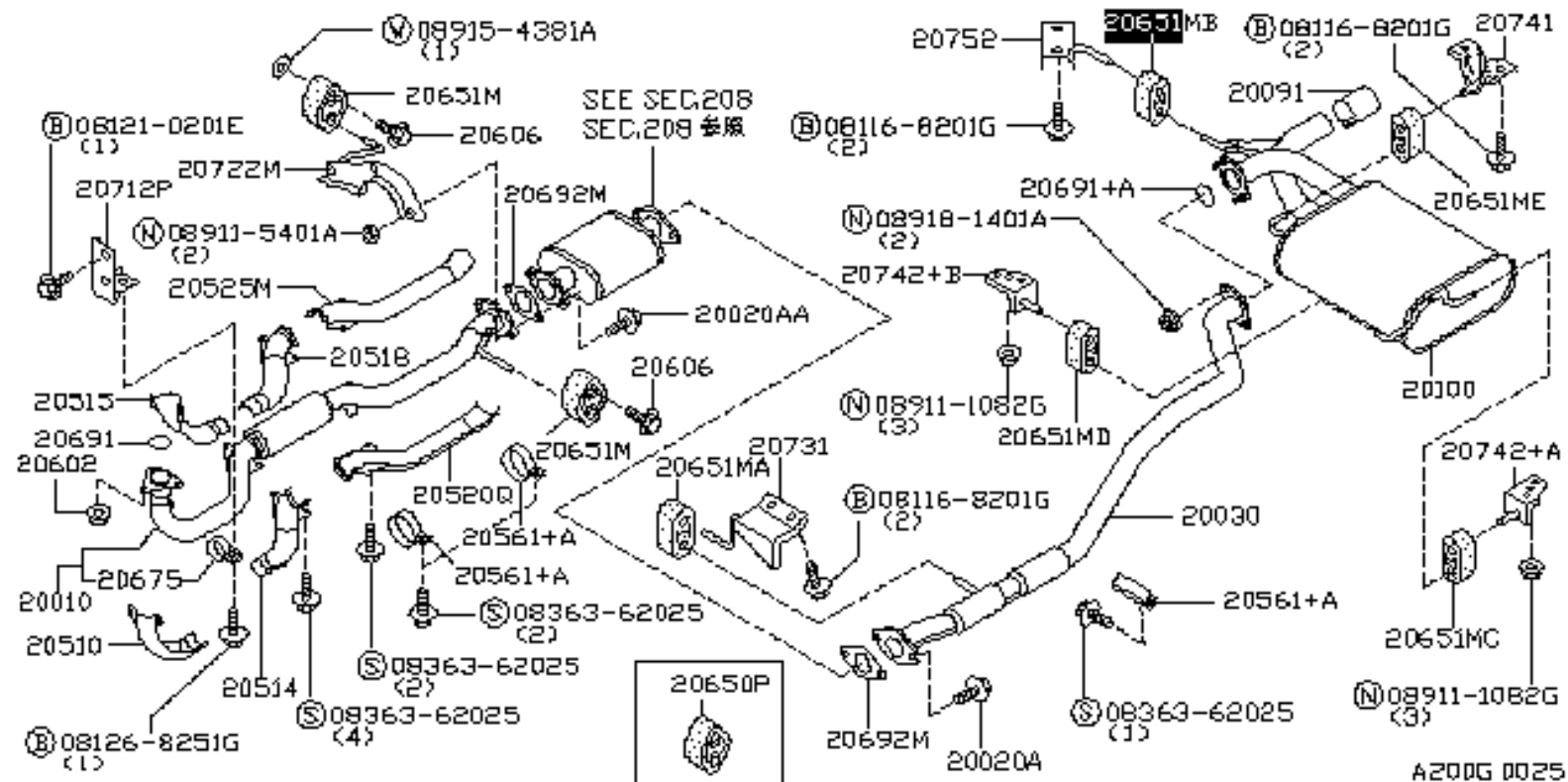
210 - [Water Pump & Thermostat](#)

211 - [Water Hose & Piping](#)

213 - [Oil Cooler](#)

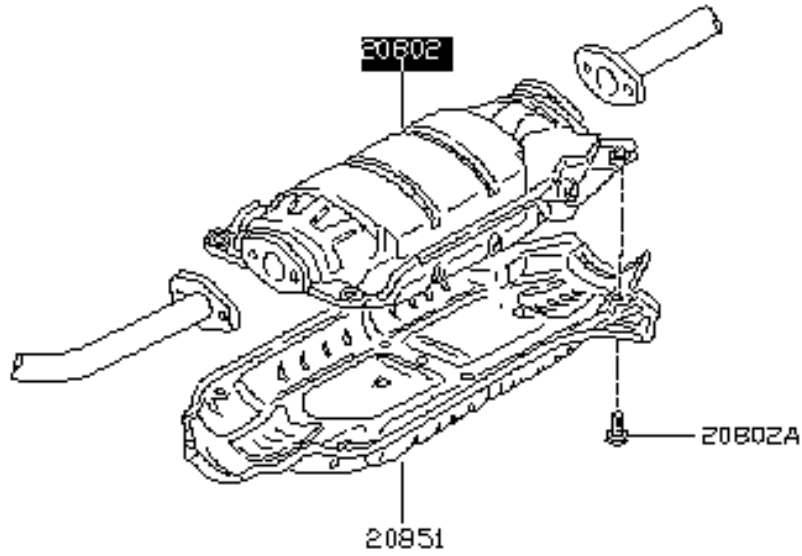
214 - [Radiator & Fittings](#)

Nissan Pulsar GTI-R - Exhaust



[Back To Exhaust & Cooling](#)

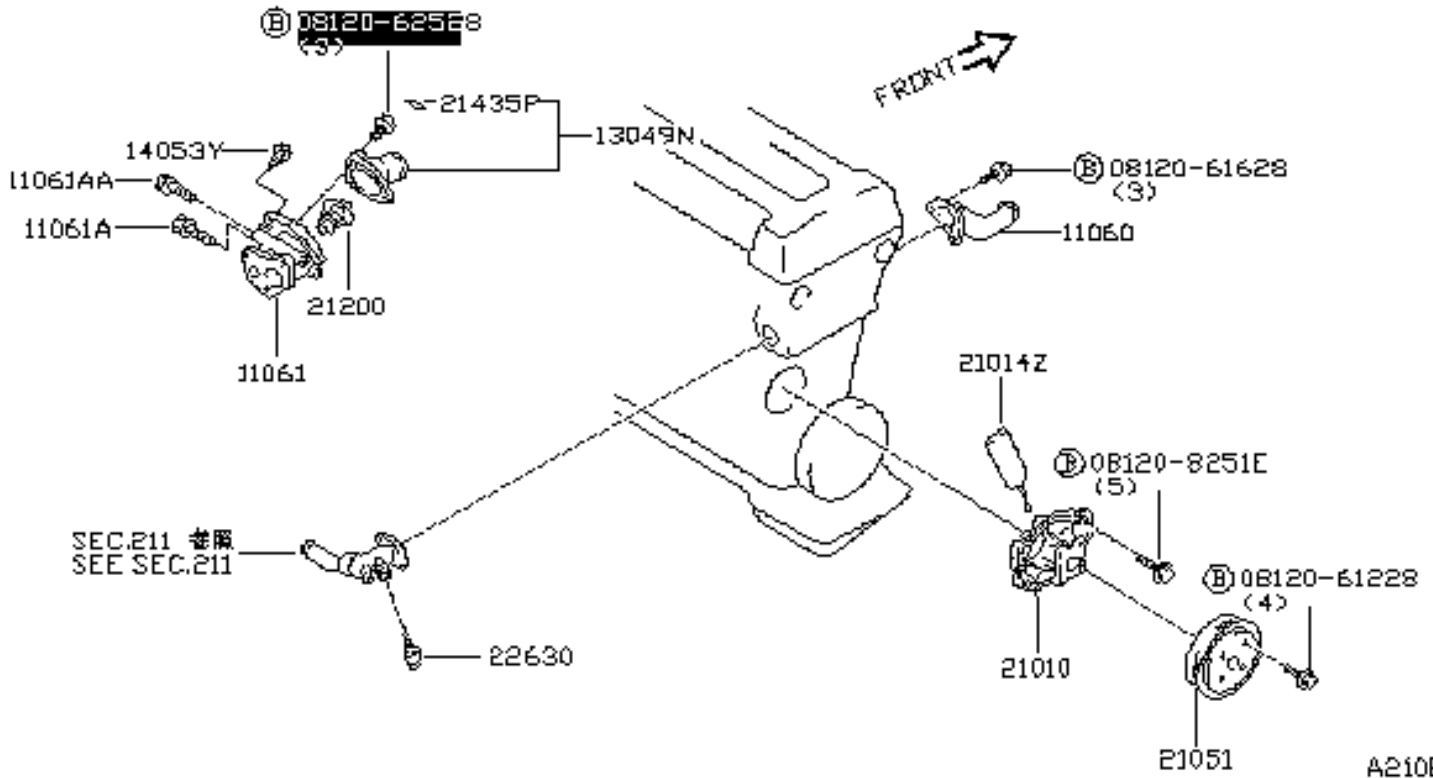
Nissan Pulsar GTI-R - Catalyst Converter



A208E 0038

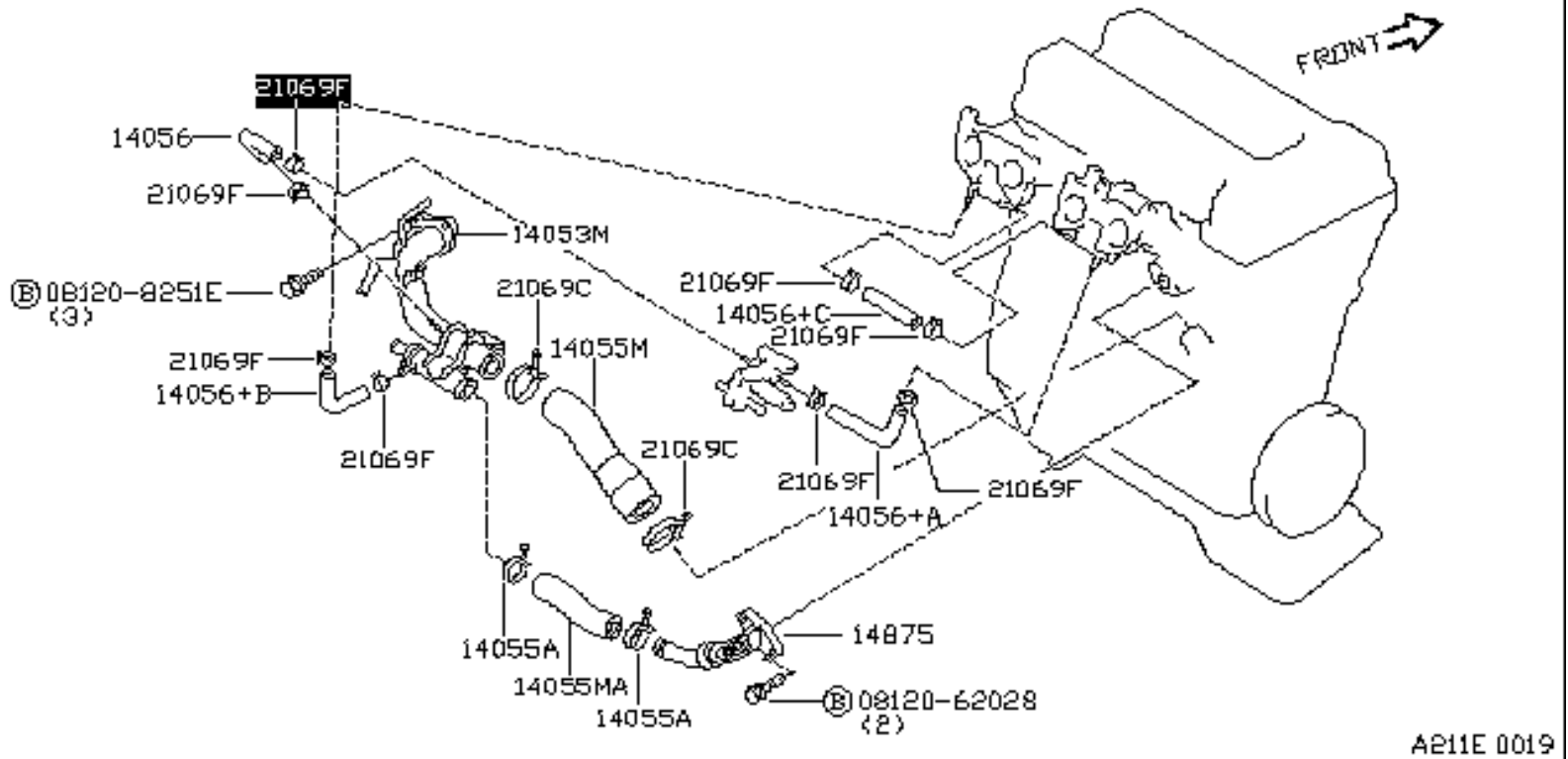
[Back To Exhaust & Cooling](#)

Nissan Pulsar GTI-R - Water Pump & Thermostat



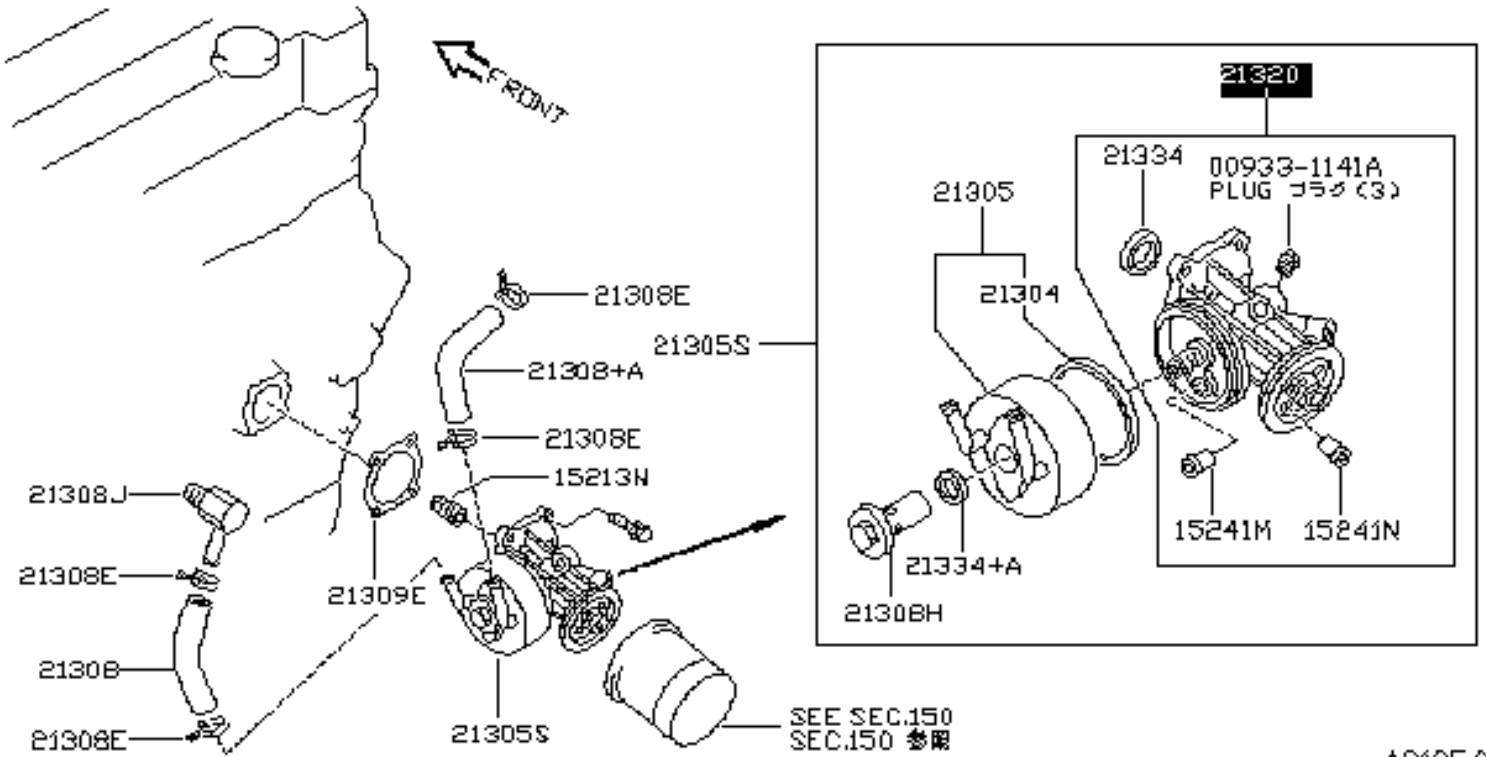
[Back To Exhaust & Cooling](#)

Nissan Pulsar GTI-R - Water Hoses & Pipping



[Back To Exhaust & Cooling](#)

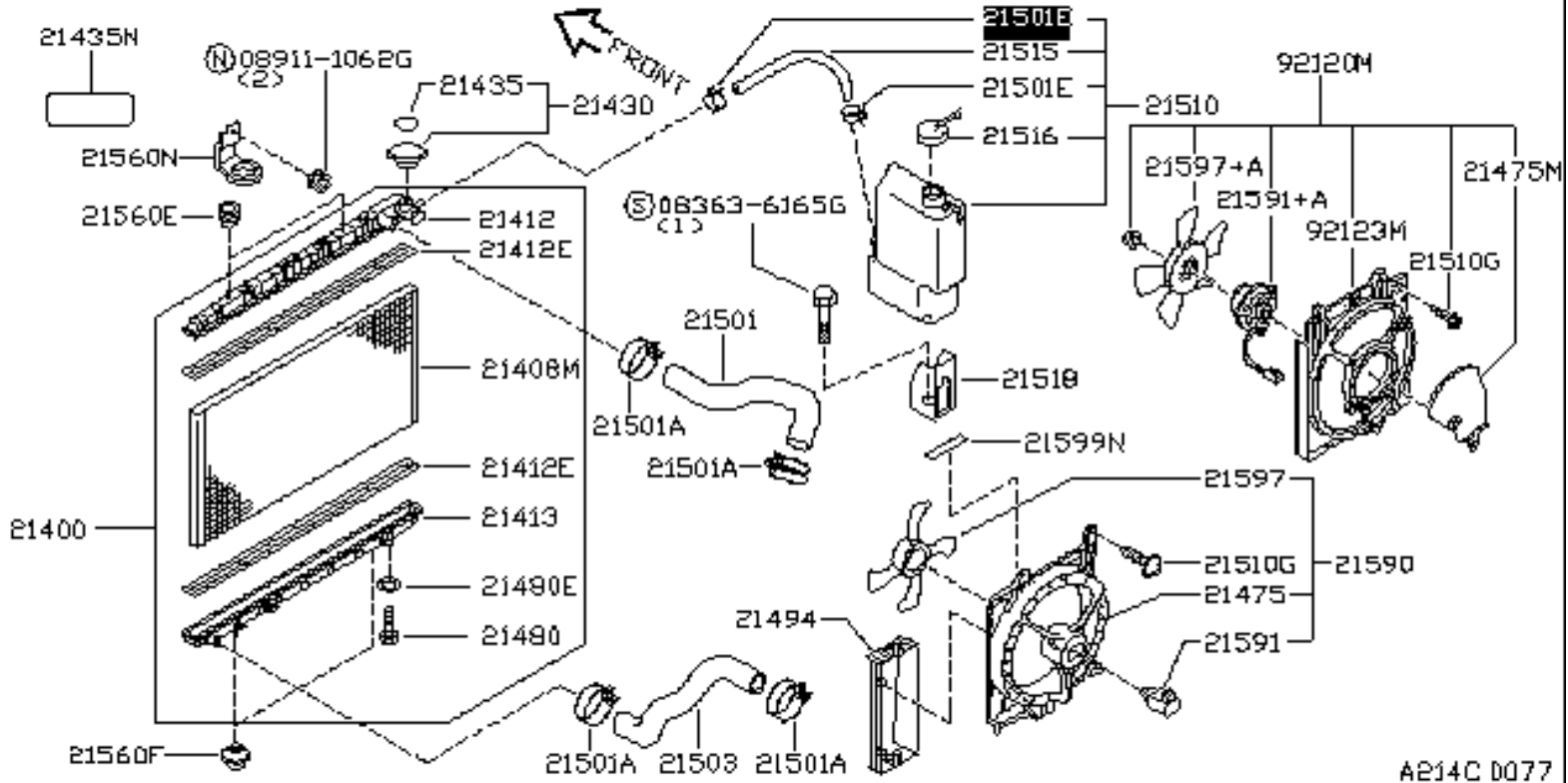
Nissan Pulsar GTI-R - Oil Cooler



A213E 0047

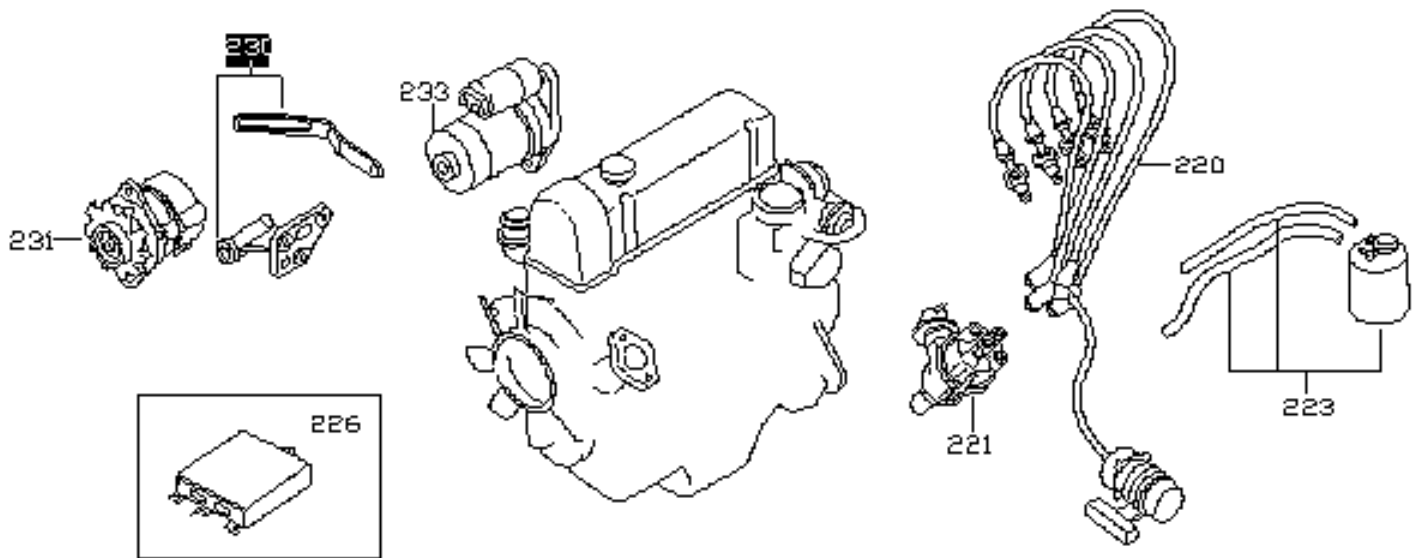
[Back To Exhaust & Cooling](#)

Nissan Pulsar GTI-R - Radiator & Fittings



[Back To Exhaust & Cooling](#)

Nissan Pulsar GTI-R - Engine Electrical



AD00ER0N14

Index

[Back To Main Menu](#)

220 - [Ignition System](#)

221 - [Distributor](#)

223 - [Vacum Piping](#)

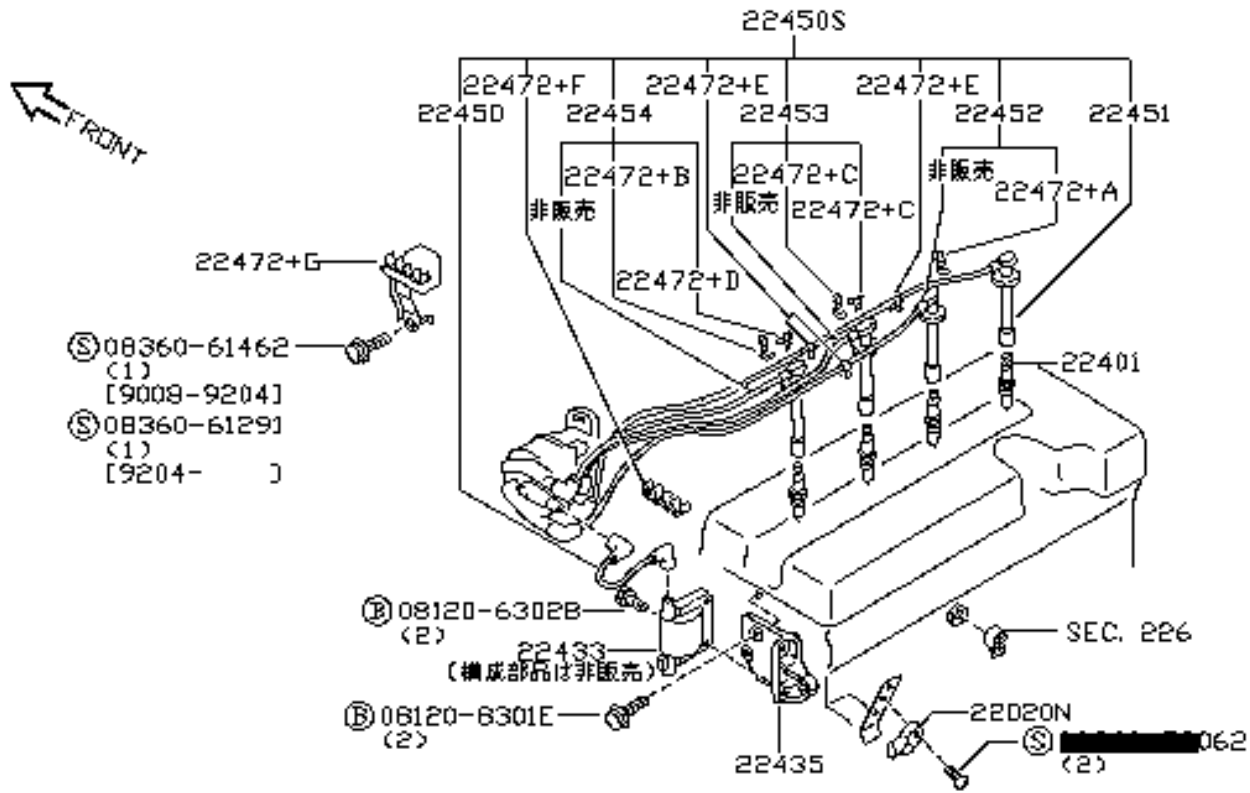
226 - [Engine Control Modules](#)

230 - [Alternator Fittings](#)

231 - [Alternator](#)

233 - [Starter Motor](#)

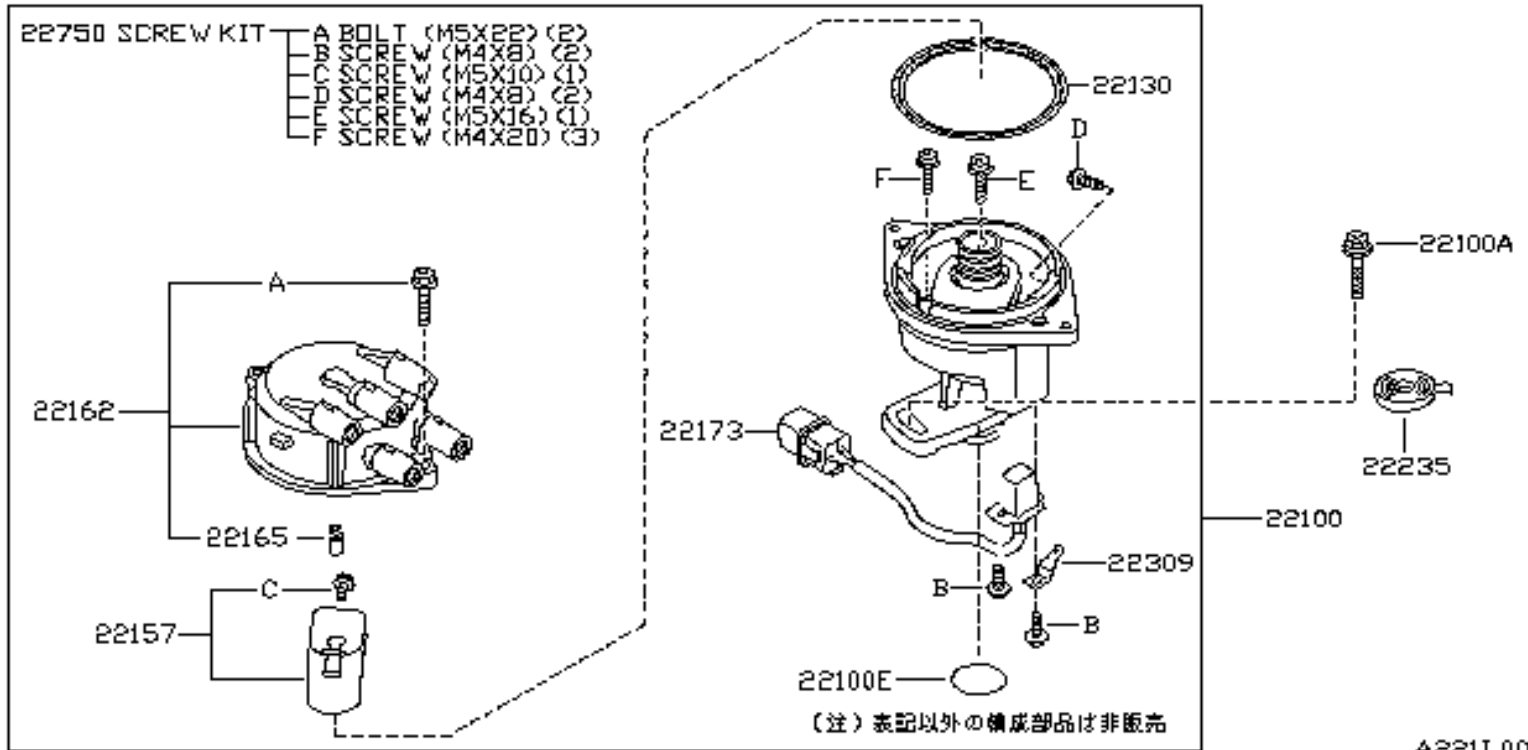
Nissan Pulsar GTI-R - Ignition System



A220F 0086

[Back To Engine Electrical](#)

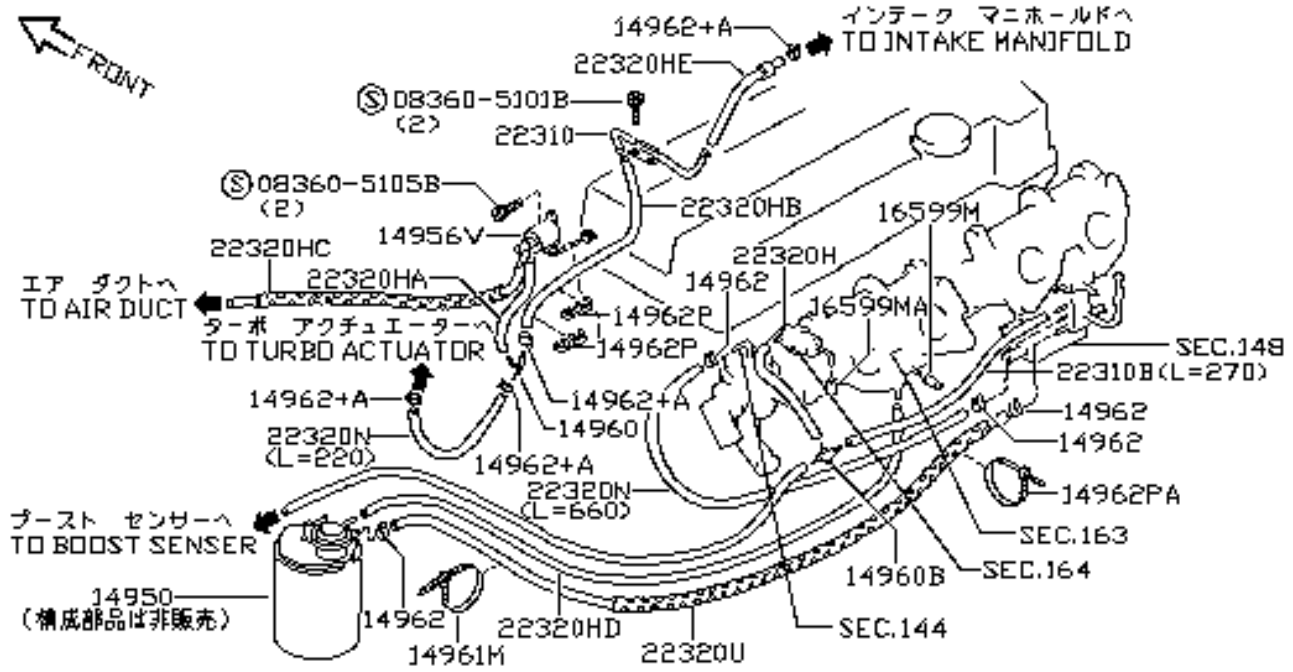
Nissan Pulsar GTI-R - Distributor



APP1T 00P5

[Back To Engine Electrical](#)

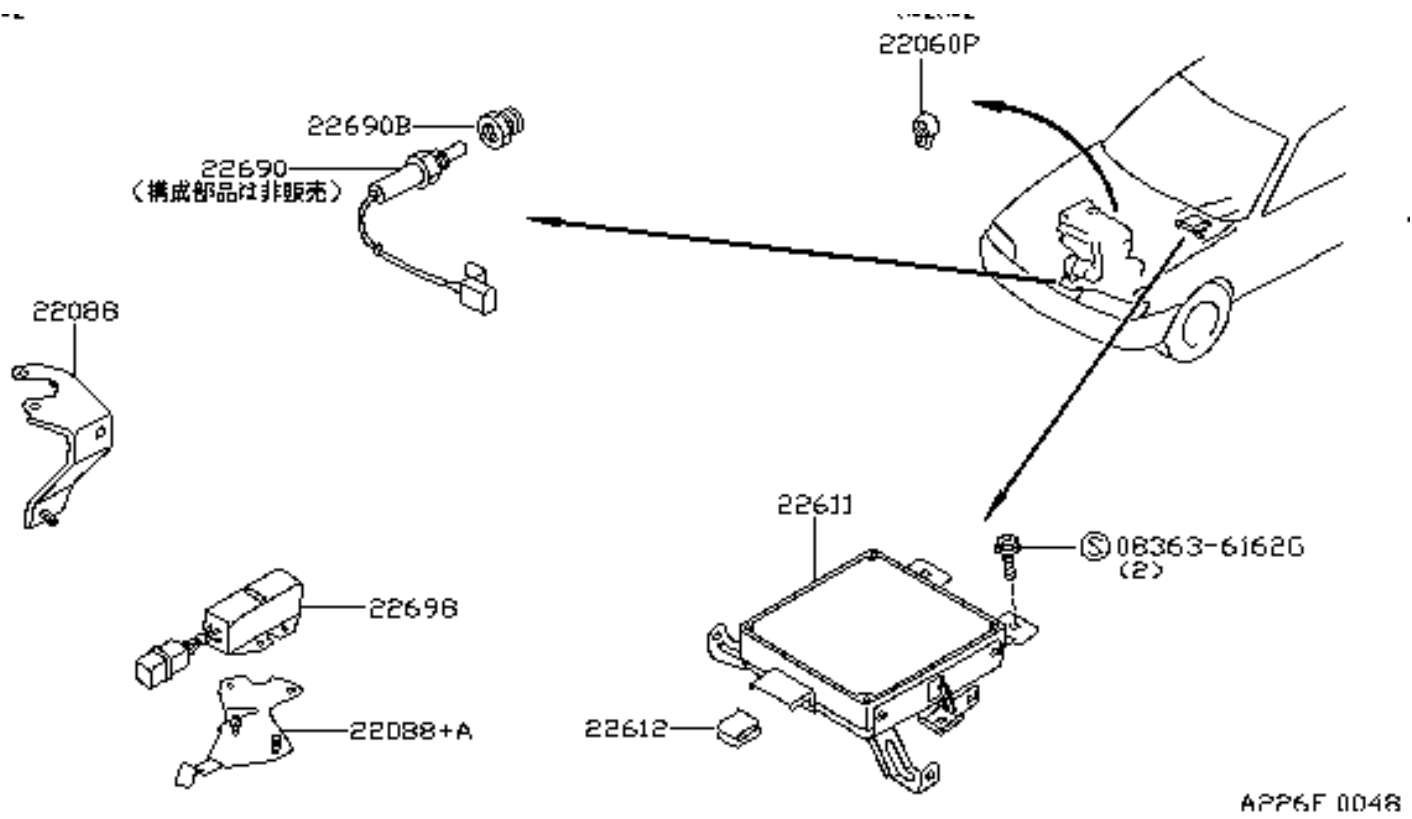
Nissan Pulsar GTI-R - Vacuum Piping



APP3F 0100

[Back To Engine Electrical](#)

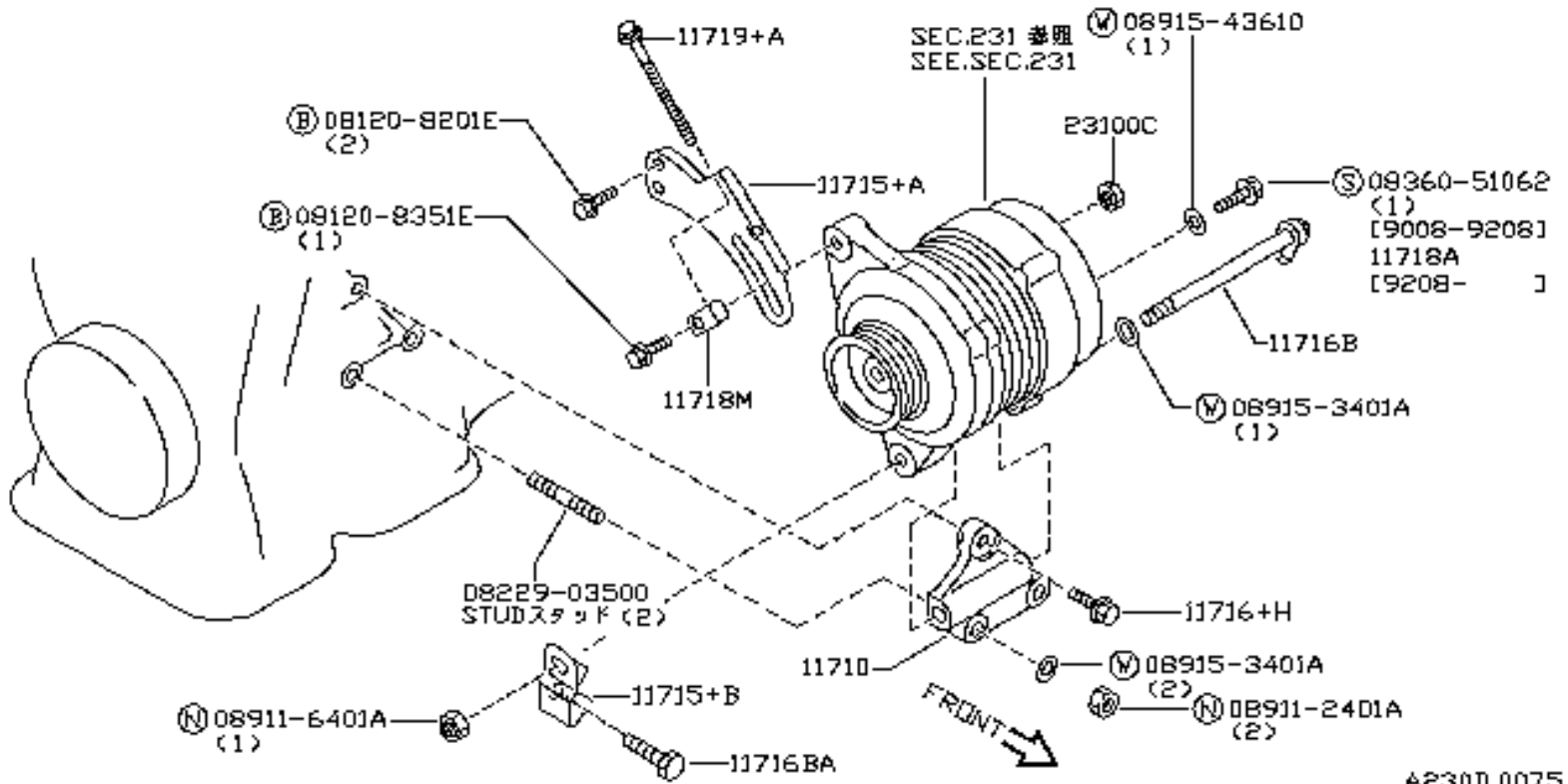
Nissan Pulsar GTI-R - Engine Control Modules



APP6F 0048

[Back To Engine Electrical](#)

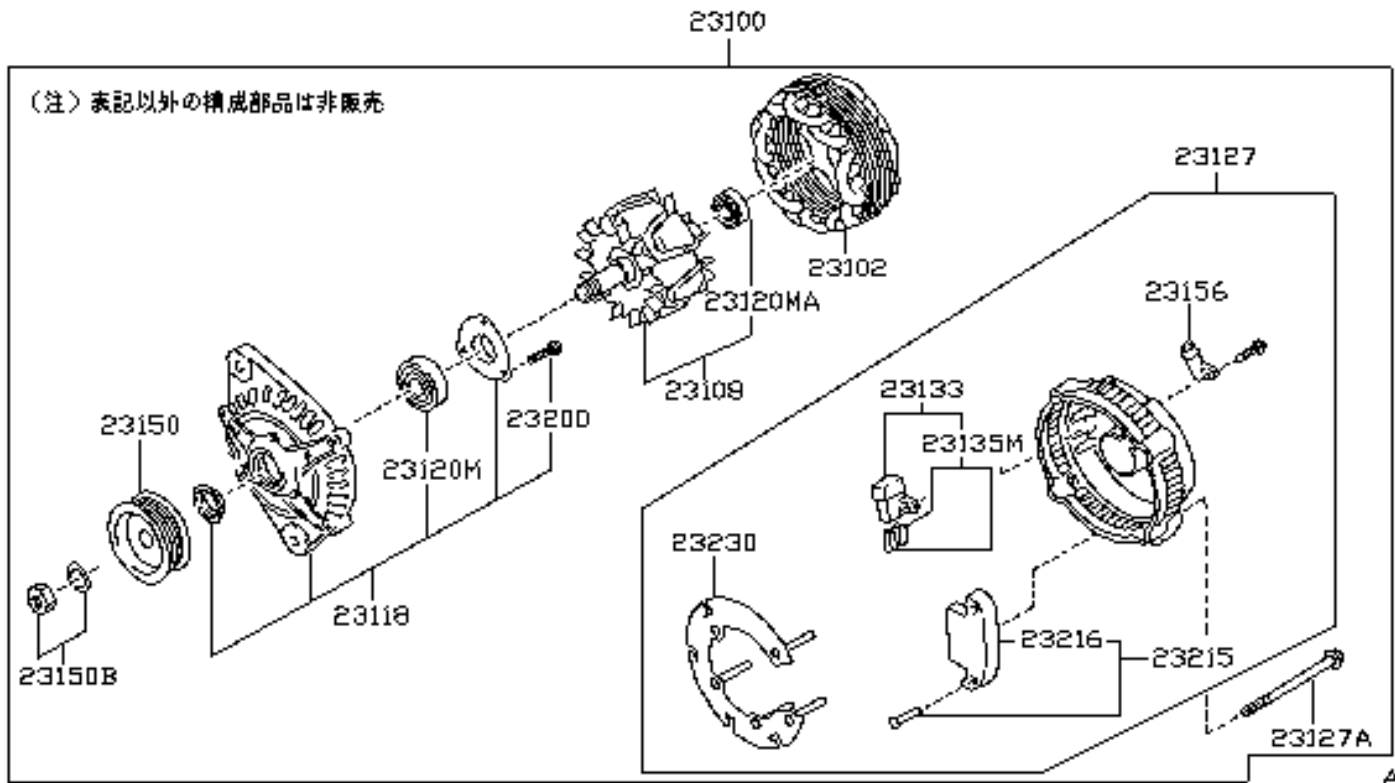
Nissan Pulsar GTI-R - Alternator Fittings



A2300 0075

[Back To Engine Electrical](#)

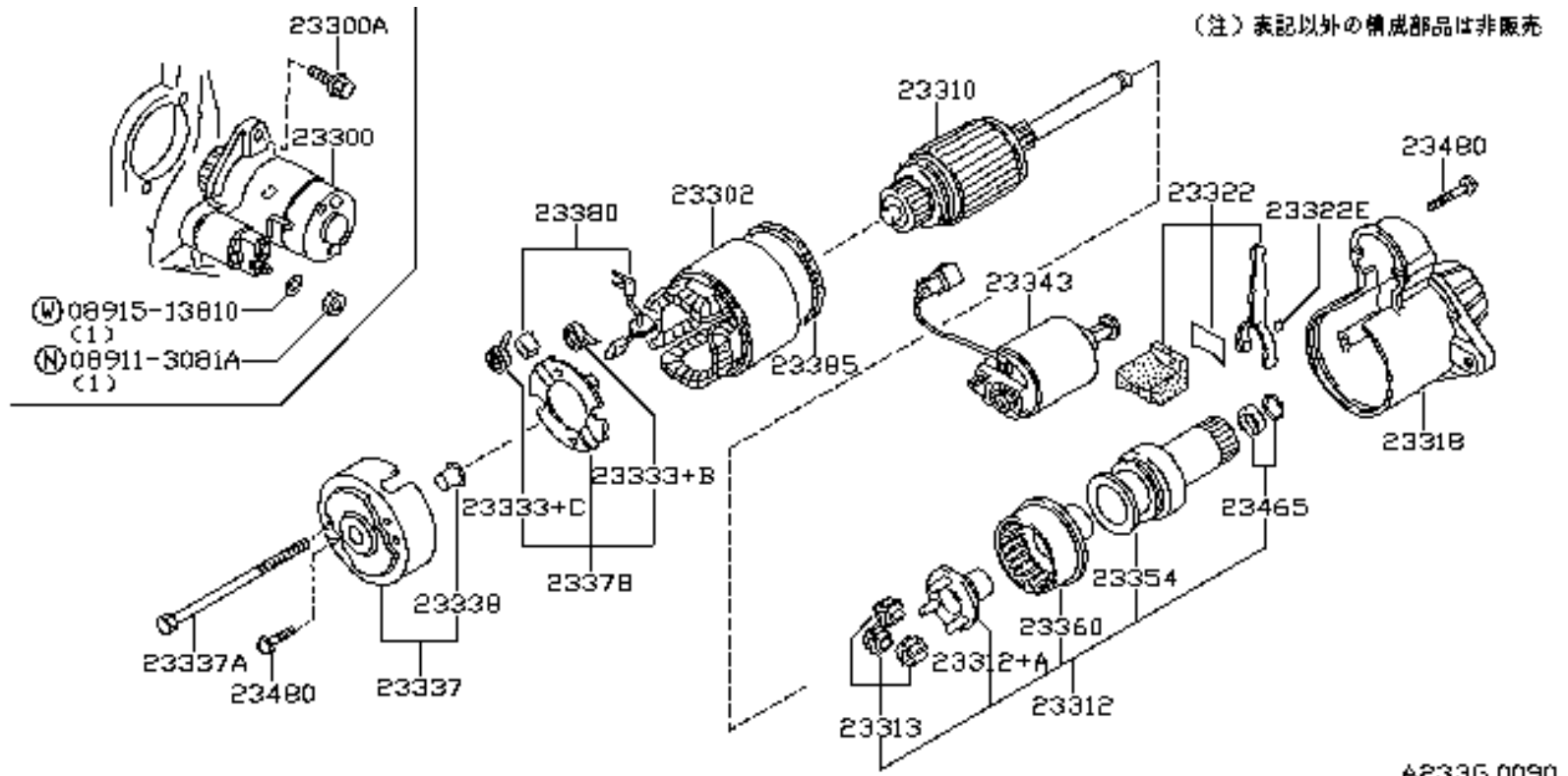
Nissan Pulsar GTI-R - Alternator



AP31G 010P

[Back To Engine Electrical](#)

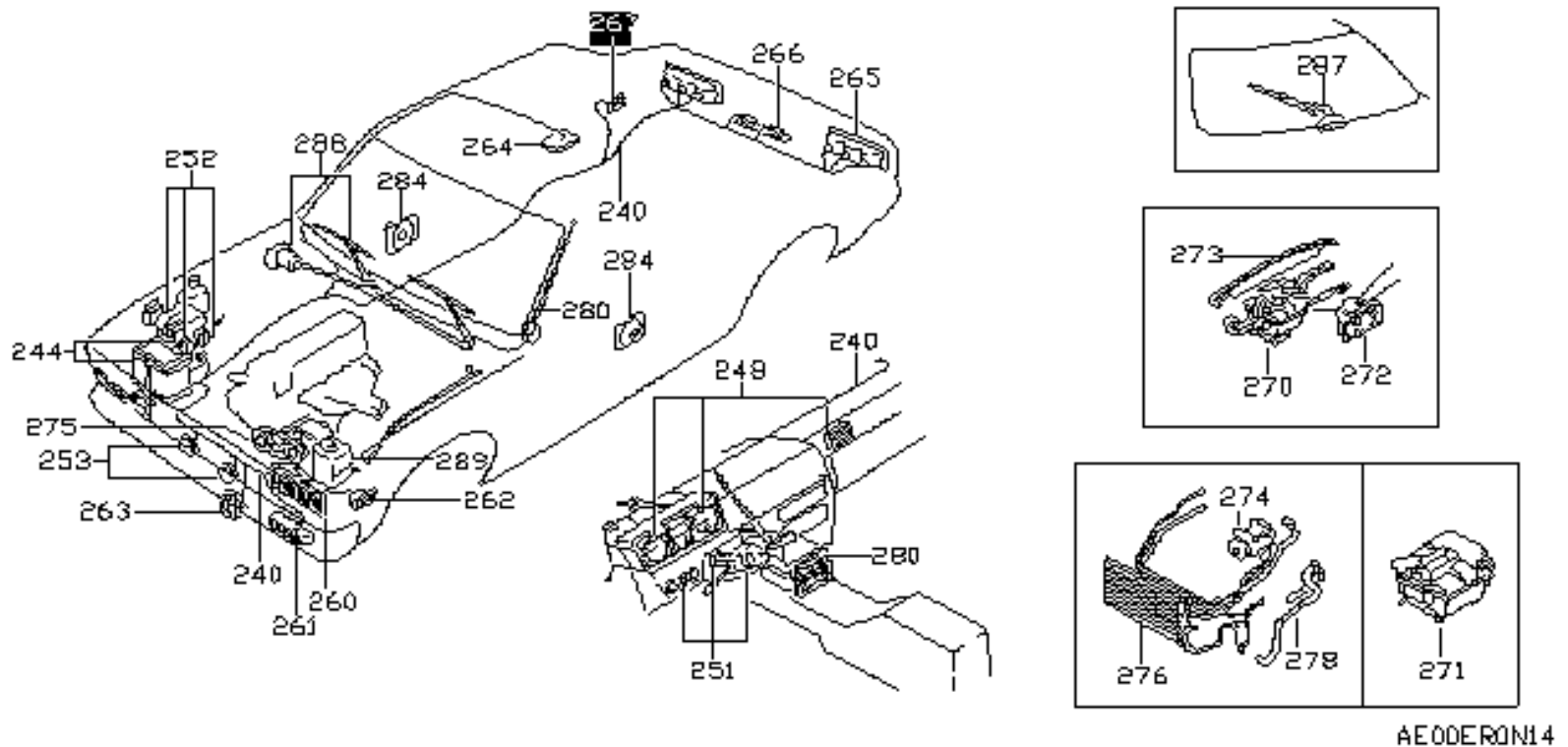
Nissan Pulsar GTI-R - Starter Motor



A2336 0090

[Back To Engine Electrical](#)

Nissan Pulsar GTI-R - Body Electrical



Index

[Back To Main Menu](#)

- 240 - [Wiring](#)
- 244 - [Battery & Mountings](#)
- 248 - [Instrument Gauges](#)
- 251 - [Switches](#)
- 253 - [Relays](#)
- 260 - [Headlamps](#)
- 261 - [Front Side Lamps](#)
- 262 - [Side Marker Lamps](#)
- 264 - [Interior Lamps](#)
- 265 - [Rear Lamps](#)
- 266 - [Number Plate Lamps](#)
- 270 - [Heater & Blower Unit](#)
- 271 - [Air Con Unit](#)
- 274 - [Air Con Compressor](#)
- 276 - [Air con Condenser](#)
- 278 - [Heater Hoses](#)
- 272 - [Heater Control Unit](#)
- 273 - [Heater Nozzle & Ducts](#)

288 - [Front Windshield Wipers](#)

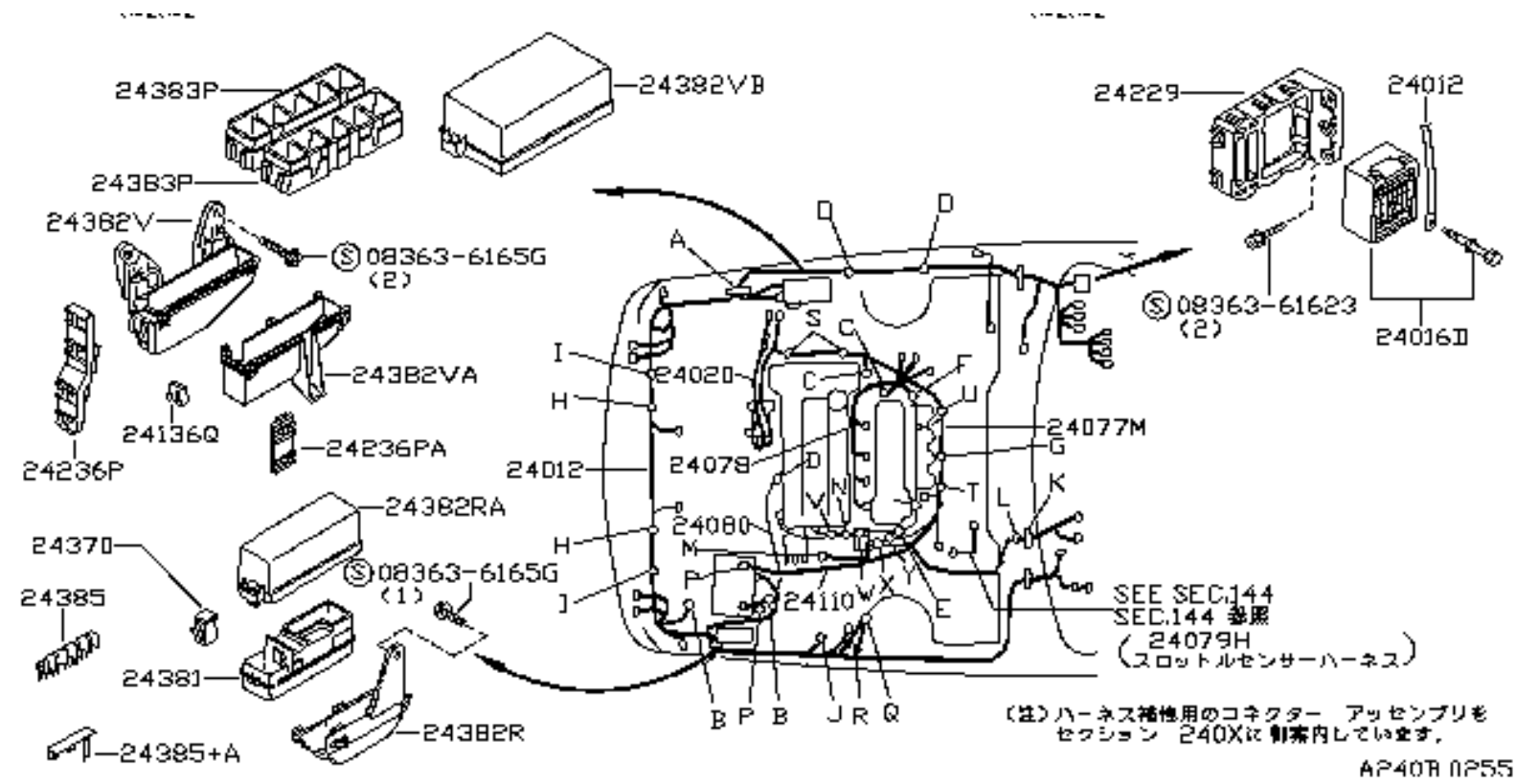
289 - [Front Windshield Washer](#)

287 - [Rear Windshield Wiper](#)

280 - [Audio](#)

284 - [Speakers](#)

Nissan Pulsar GTI-R - Wiring - Page 1













[Page 2](#)

[Back To Body Electrical](#)

Nissan Pulsar GTI-R - Wiring - Page 2

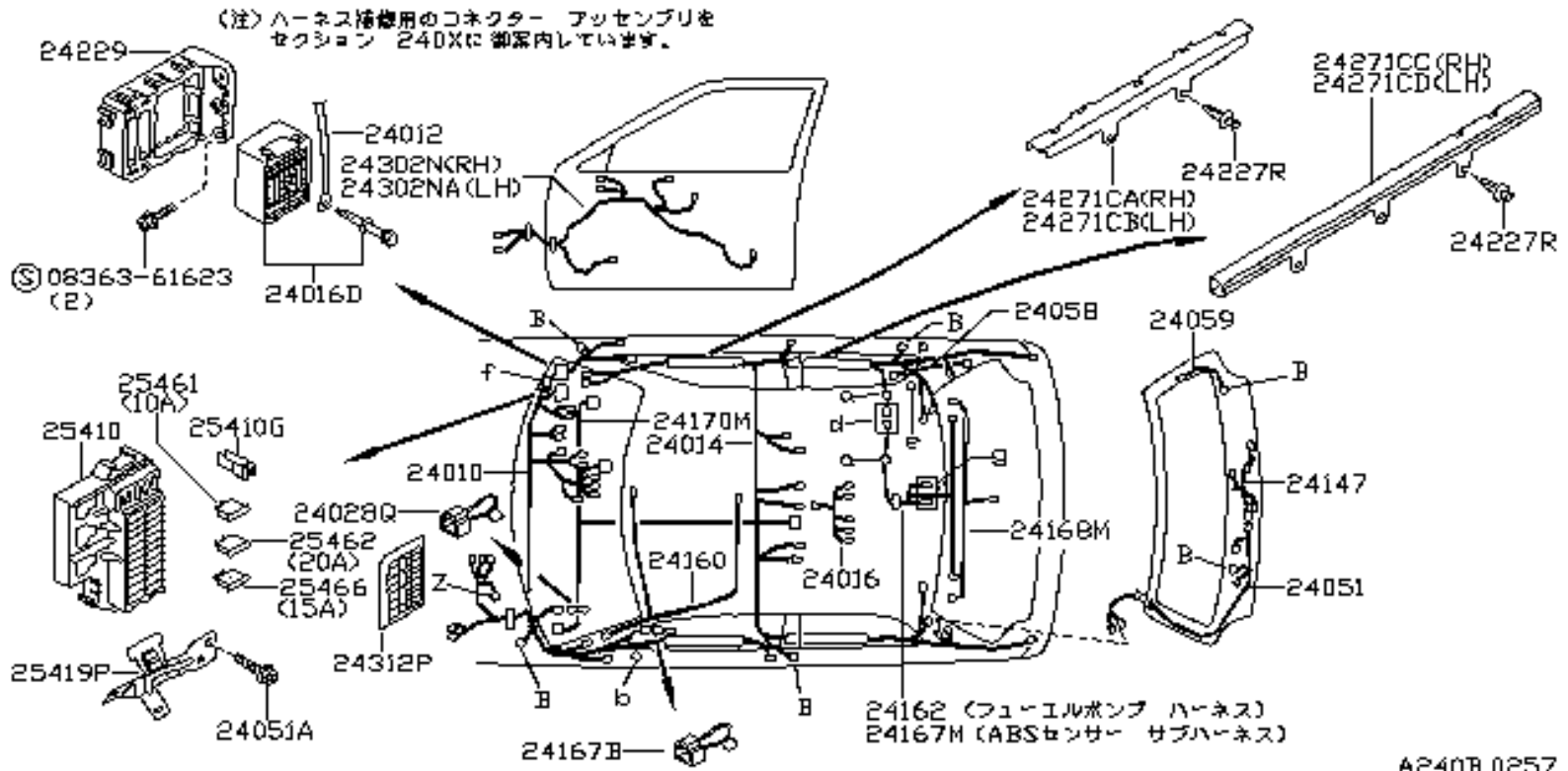
<p>A</p> <p>24270N (プロテクター)</p>	<p>B</p> <p>24012C (スクリュー)</p>	<p>C</p> <p>⑤ 08360-6102C (スクリュー)</p>	<p>D</p> <p>⑧ 08110-8162A (スクリュー)</p>	<p>E</p> <p>24217CA (ブラケット) ⑤ 08363-6125G (2)</p>	<p>F</p> <p>⑧ 08160-6122A (1) 24217CB (ブラケット)</p>
<p>G</p> <p>⑧ 08120-8121A (1) 24217C (ブラケット)</p>	<p>H</p> <p>24226B (クリップ)</p>	<p>I</p> <p>24226A (クリップ)</p>	<p>J</p> <p>24217CC (ブラケット)</p>	<p>K</p> <p>24269X (プラグ)</p>	<p>L</p> <p>24215MA (クリップ)</p>
<p>M</p> <p>24136C (ブラケット) ⑧ 08110-8162A (1)</p>	<p>N</p> <p>⑧ 08120-6162F (2) 24230R (ブラケット)</p>	<p>O</p> <p>24215N (クリップ)</p>	<p>P (バッテリー + 端子部)</p> <p>24345W 24022 24343</p>	<p>Q</p> <p>24269P (プラグ) 24346F (クリップ) AP40R 0256</p>	

Nissan Pulsar GTI-R - Wiring - Page 3










<p>R</p>  <p>24347M (クリップ)</p>	<p>S</p> <p>⑤ 08363-6125G (1)</p>  <p>24230M (ブラケット)</p>	<p>T</p> <p>⑤ 08363-6165G (2)</p>  <p>24217CD (ブラケット)</p>	<p>U</p> <p>⑤ 08363-6165G (2)</p>  <p>24230MA (ブラケット)</p>	<p>V</p>  <p>24230MB (ブラケット)</p>	<p>W (SR18DE)</p>  <p>24230MC (ブラケット)</p>
<p>W (SR20DET)</p>  <p>24217N (ブラケット)</p>	 <p>24212A (クリップ)</p>	 <p>24336E (レジスター)</p>	 <p>24078E</p>		

AP40B 029P

Nissan Pulsar GTI-R - Wiring - Page 4



Nissan Pulsar GTI-R - Wiring - Page 5

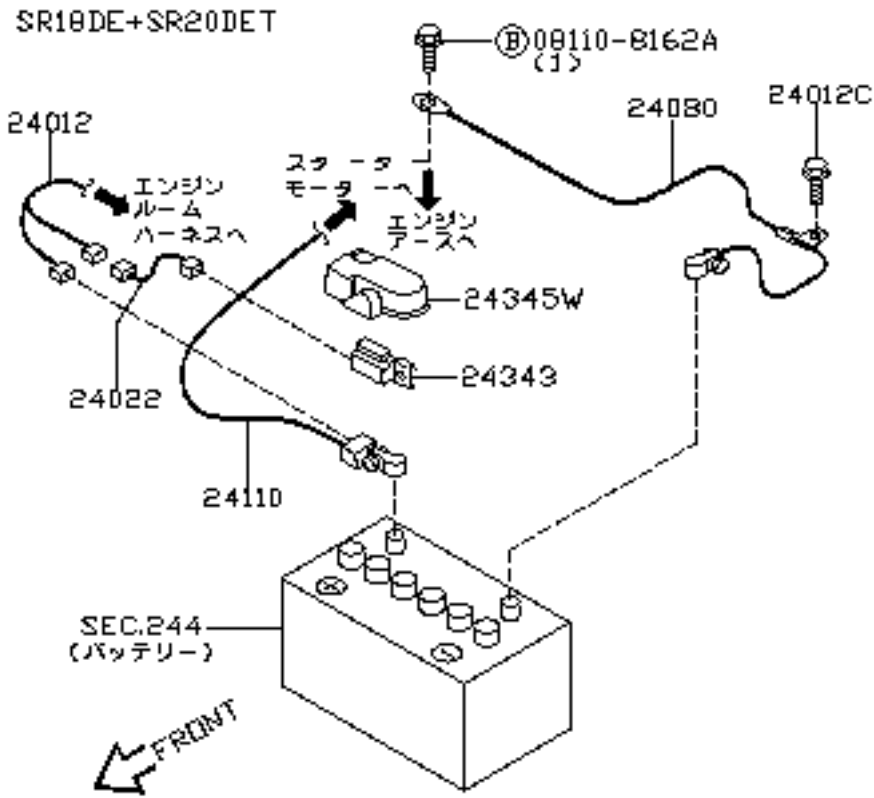
<p>X</p>  <table border="1" data-bbox="251 220 511 367"> <thead> <tr> <th></th> <th>L</th> </tr> </thead> <tbody> <tr> <td>24212B</td> <td>130</td> </tr> <tr> <td>24212BA</td> <td>170</td> </tr> <tr> <td>24212BB</td> <td>220</td> </tr> </tbody> </table> <p>(クリップ)</p>		L	24212B	130	24212BA	170	24212BB	220	<p>Y</p>  <p>24336Q (レジスタ-器 コンデンサ-)</p>	<p>Z</p>  <p>24217 (ブラケット)</p>	<p>a</p>  <p>24215RA (クリップ)</p>	<p>b</p>  <p>24212C (クリップ)</p>
	L											
24212B	130											
24212BA	170											
24212BB	220											
<p>d</p>  <p>24271 (プロテクター)</p>	<p>e</p>  <p>24269XA (プラグ)</p>	<p>f</p>  <p>24215H (クリップ)</p>	<p>g</p>  <p>24271PA (プロテクター)</p>									
				<p>AP40B 0256</p>								

Nissan Pulsar GTI-R - Wiring - Page 6

<p>24215RB (クリップ)</p>	<p>24217CF (ブラケット)</p>	<p>24217G (ブラケット)</p>	<p>24215MC (クリップ)</p>	<p>24215MD (クリップ)</p>	<p>24217R (クリップ)</p>
<p>24276B (プロテクター)</p>	<p>24212BC (クリップ)</p>	<p>24013E (プラグ)</p>	<p>24336E (レジスター)</p>	<p>24226D (クリップ)</p>	<p>24215RC (クリップ)</p>
<p>24215R (クリップ)</p>	<p>24136CA (ブラケット)</p>	<p>24130N (ダイオード)</p>			

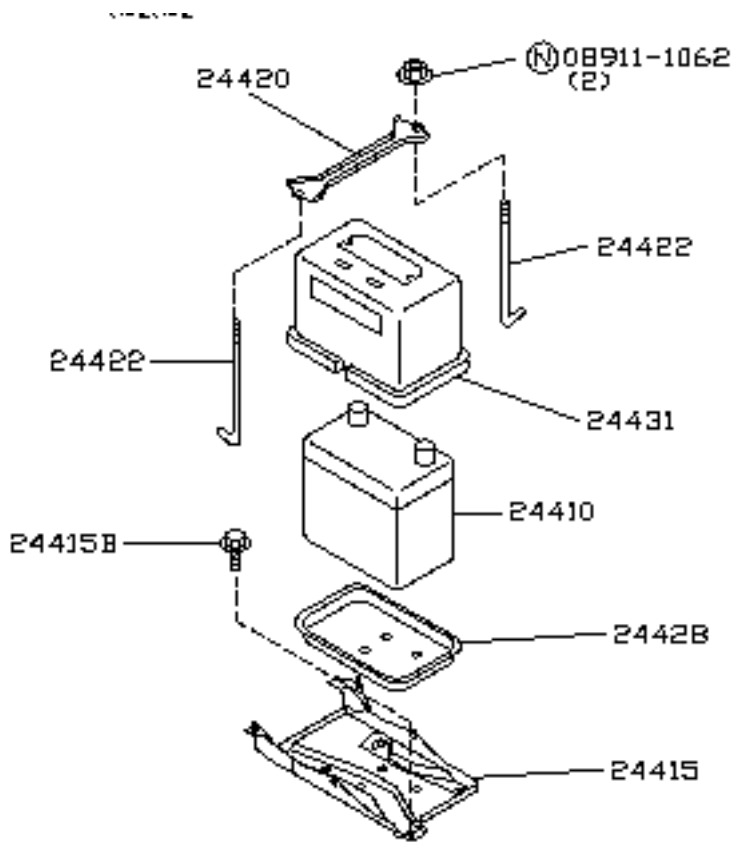
AP40R 0293

Nissan Pulsar GTI-R - Wiring - Page 7



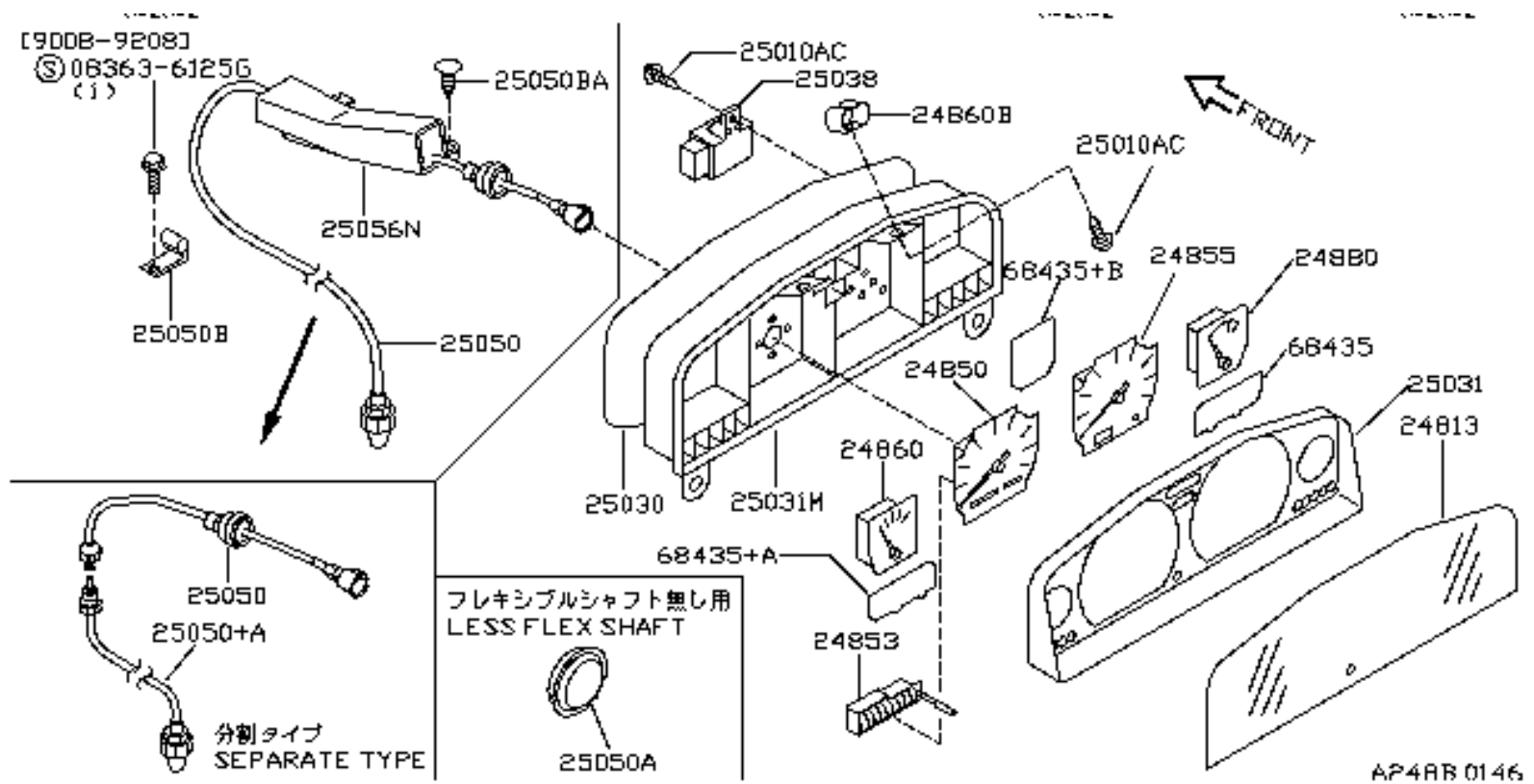
[Back To Body Electrical](#)

Nissan Pulsar GTI-R - Battery & Mountings



[Back To Body Electrical](#)

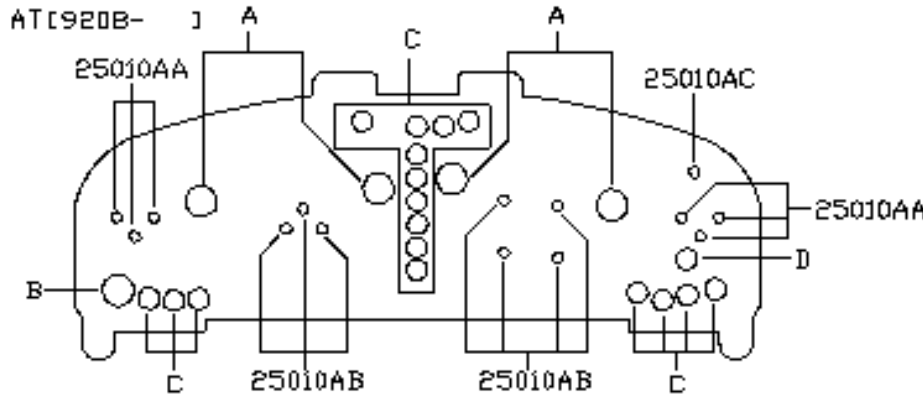
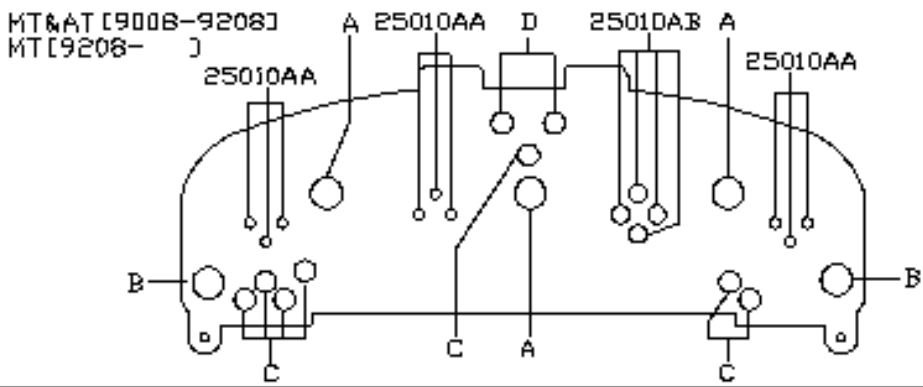
Nissan Pulsar GTI-R - Instrument Gauges - Page 1

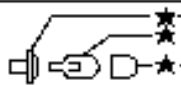
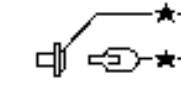
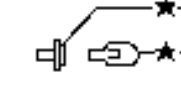
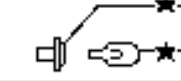


[Page 2](#)

[Back To Body Electrical](#)

Nissan Pulsar GTI-R - Instrument Gauges - Page 2

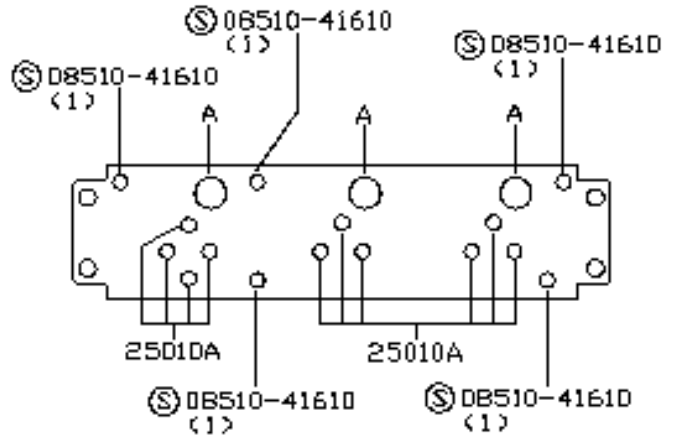
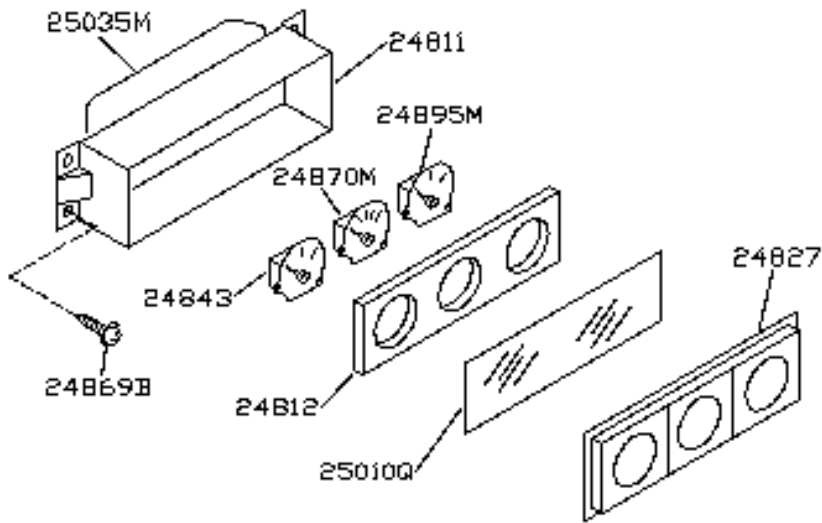


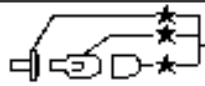
位置	仕様	コードNO.
A	14V-3.4W	 24860PA
B	14V-3.4WL	 24860PB
C	14V-2WL	 24860P
D	14V-3W	 24860PC

(注)★印は非販売(バルブ、ソケット単品は非販売)

AP4RB 0147

Nissan Pulsar GTI-R - Instrument Gauges - Page 3



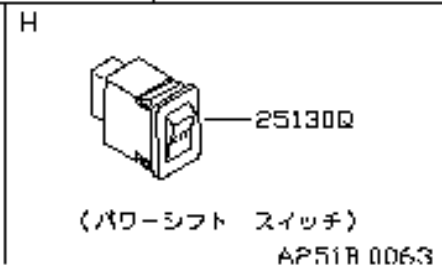
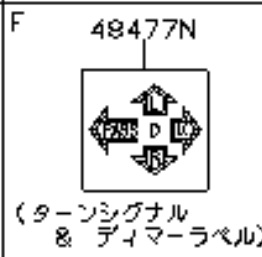
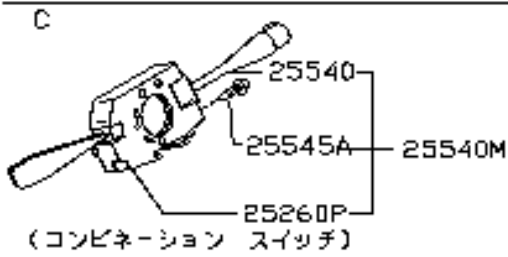
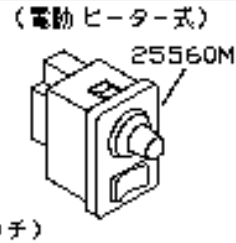
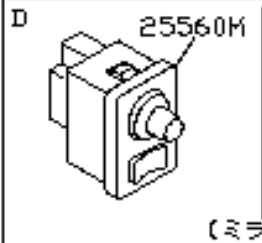
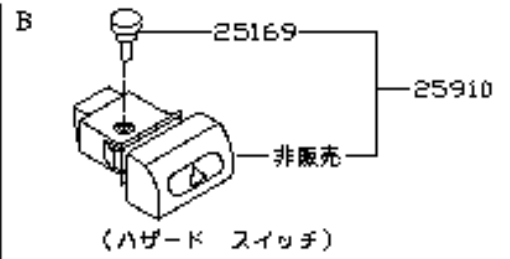
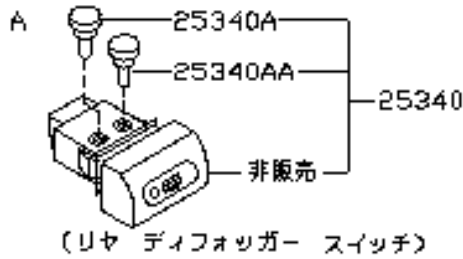
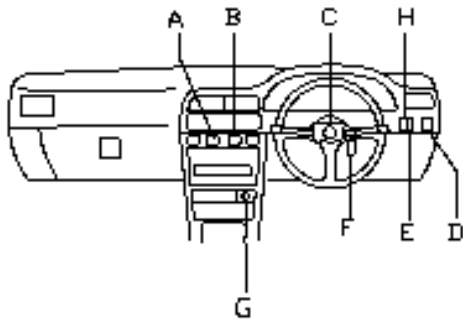
仕様	位置	コード NO.
A	14V-1.4W	 24860Q

(注)★印は非販売(バルブ、ソケット単品は非販売)

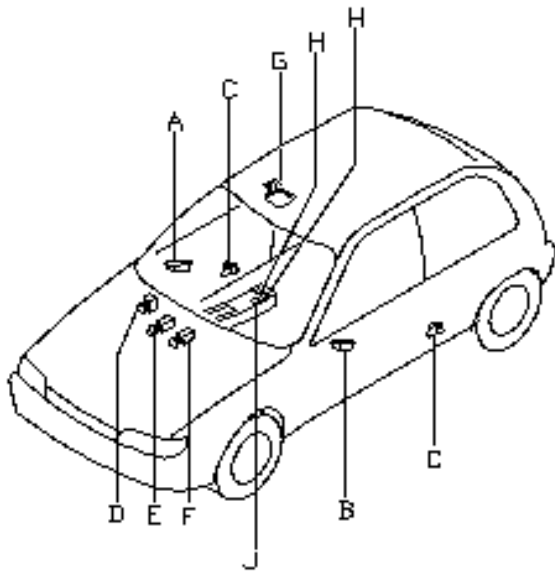
AP4RB 0148



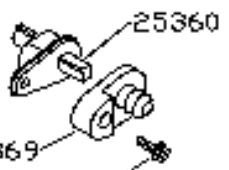
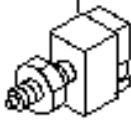
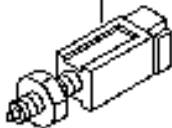
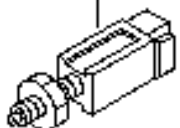
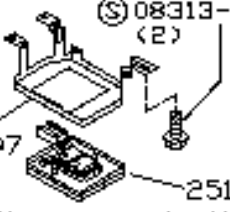


[Back To Body Electrical](#)

Nissan Pulsar GTI-R - Switches - Page 1



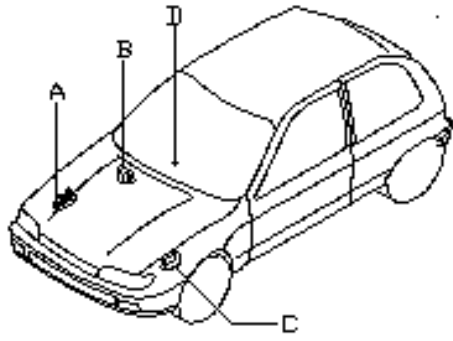
Nissan Pulsar GTI-R - Switches - Page 2



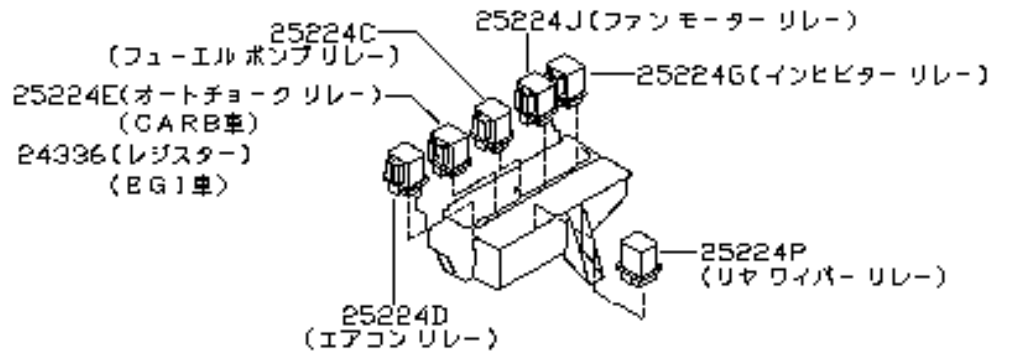
<p>A 25750</p>  <p>⑤ 08543-4122A (3) (パワー ウィンドウ メイン スイッチ)</p>	<p>B 25750M</p>  <p>⑤ 08543-4122A (3) (パワー ウィンドウ アシスト スイッチ)</p>	<p>C</p>  <p>25360 25369 25360A (ドア スイッチ)</p>
<p>D 25390</p>  <p>(キックダウン スイッチ)</p>	<p>E 25320</p>  <p>(ストップランプ スイッチ)</p>	<p>F 25320+A</p>  <p>(クラッチ スイッチ)</p>
<p>G</p>  <p>⑤ 08313-51097 (2) 25197 25190 (サンルーフ スイッチ)</p>	<p>H 25500</p>  <p>(シート ヒーター スイッチ)</p>	<p>J 25120</p>  <p>(ショック アブソーバー アジャスタブル スイッチ) AP51R 0064</p>

[Back To Body Electrical](#)

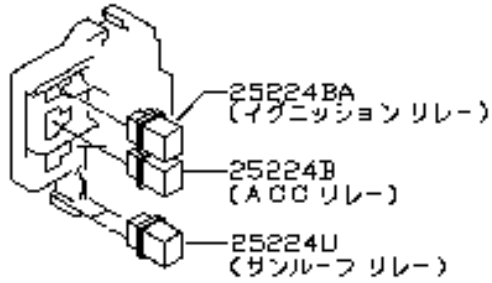
Nissan Pulsar GTI-R - Relays



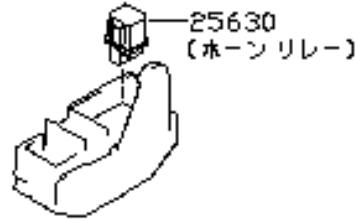
A



B



C



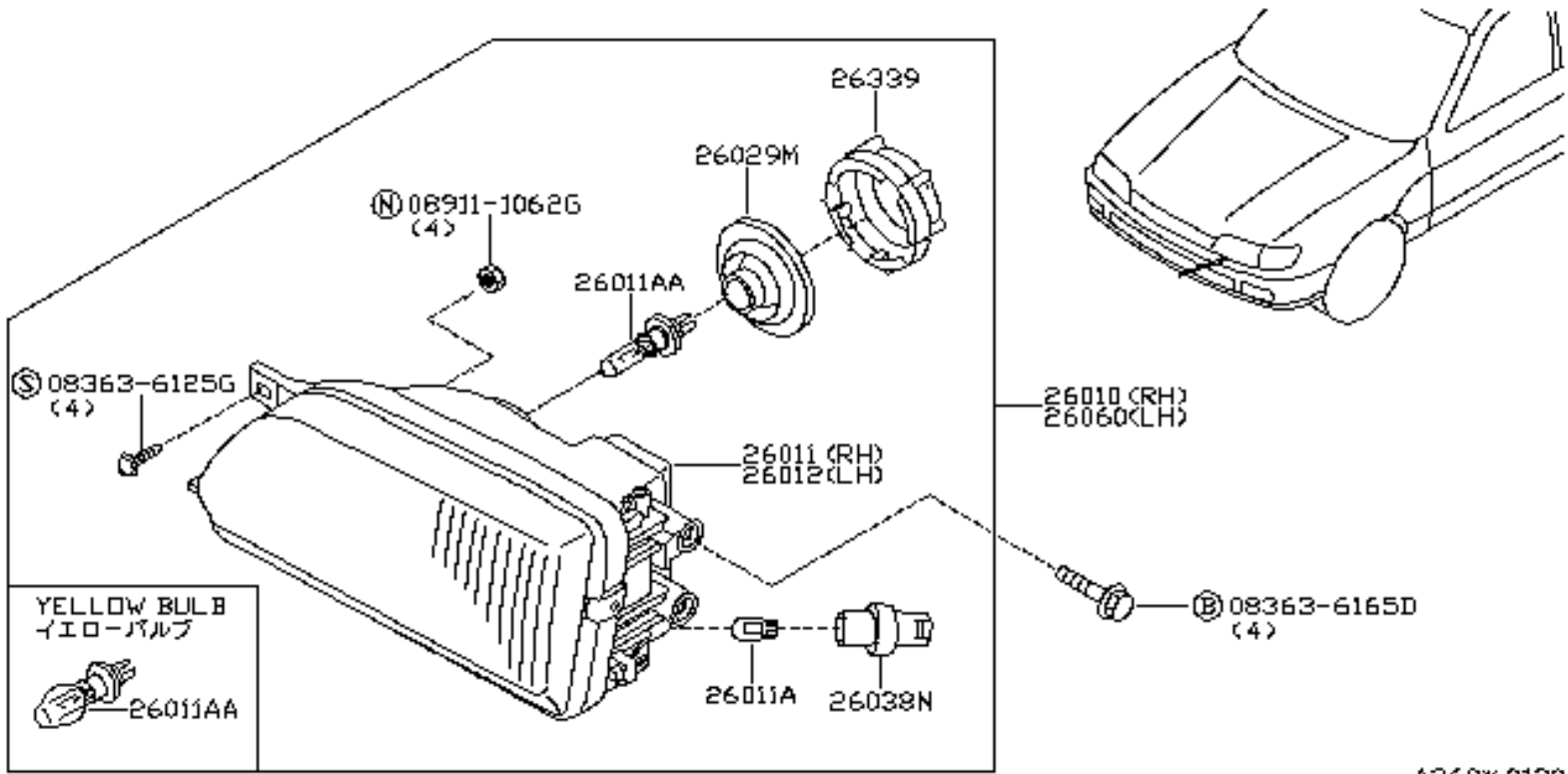
D



AP52R 004P

[Back To Body Electrical](#)

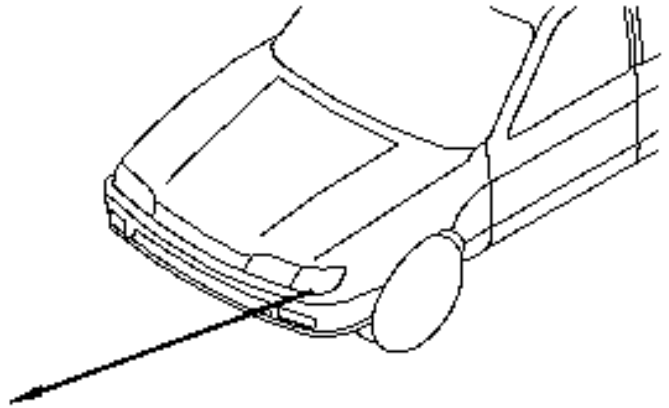
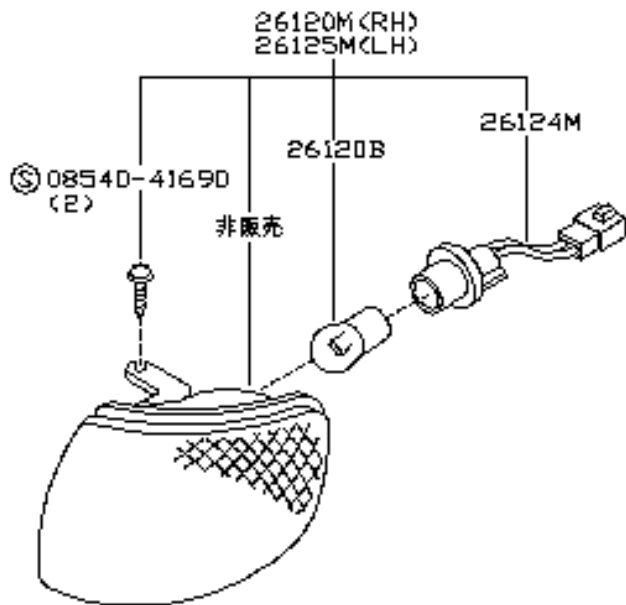
Nissan Pulsar GTI-R - Headlamp



AP60* 0130

[Back To Body Electrical](#)

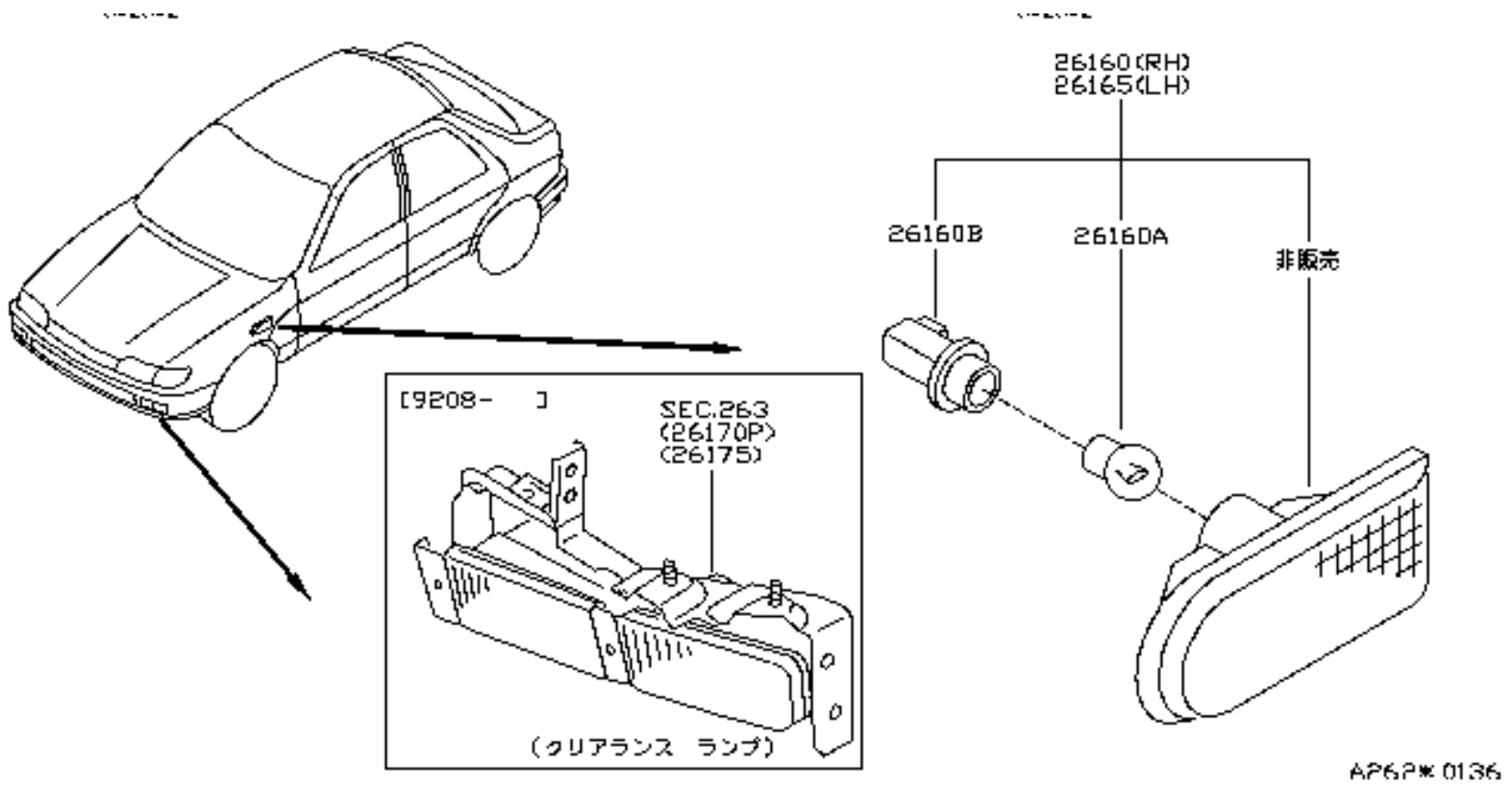
Nissan Pulsar GTI-R - Side Lamp



AP61* 0160

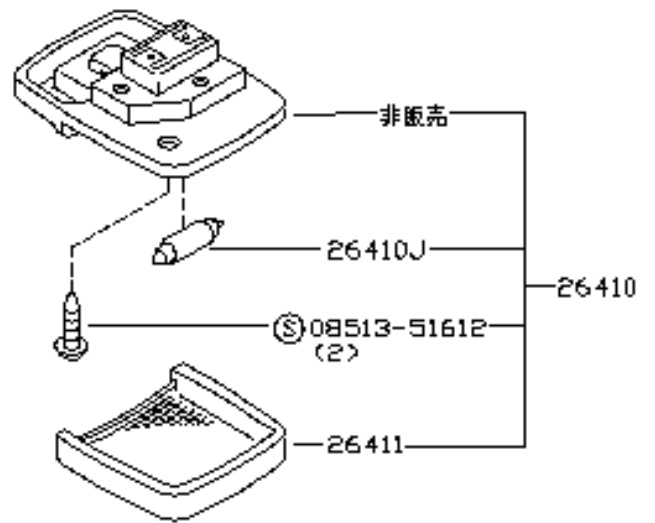
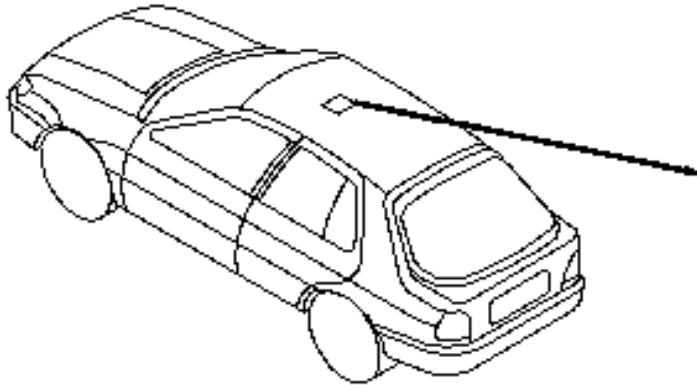
[Back To Body Electrical](#)

Nissan Pulsar GTI-R - Side Marker Lamps



[Back To Body Electrical](#)

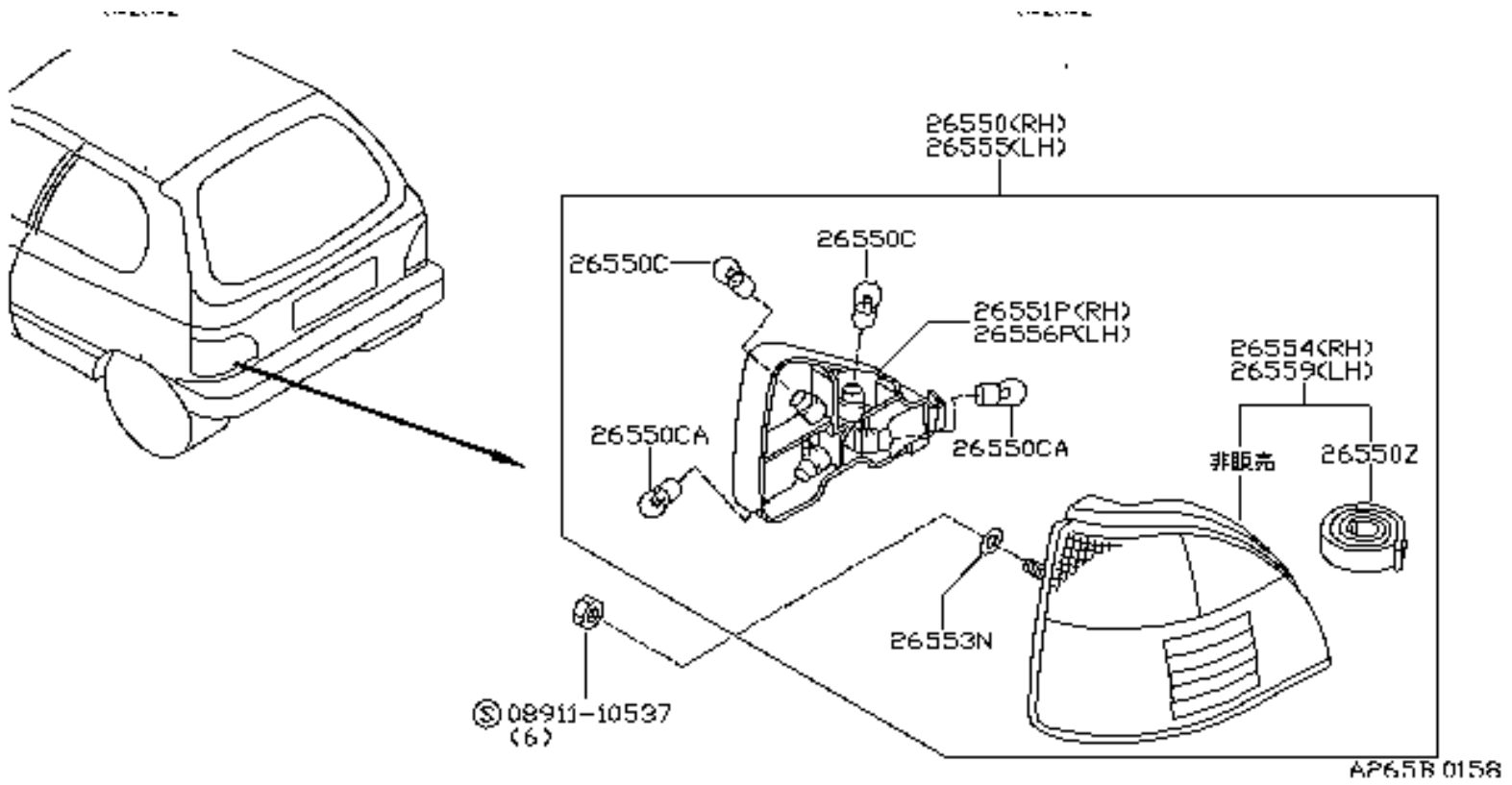
Nissan Pulsar GTI-R - Interior Lamp



A264*0159

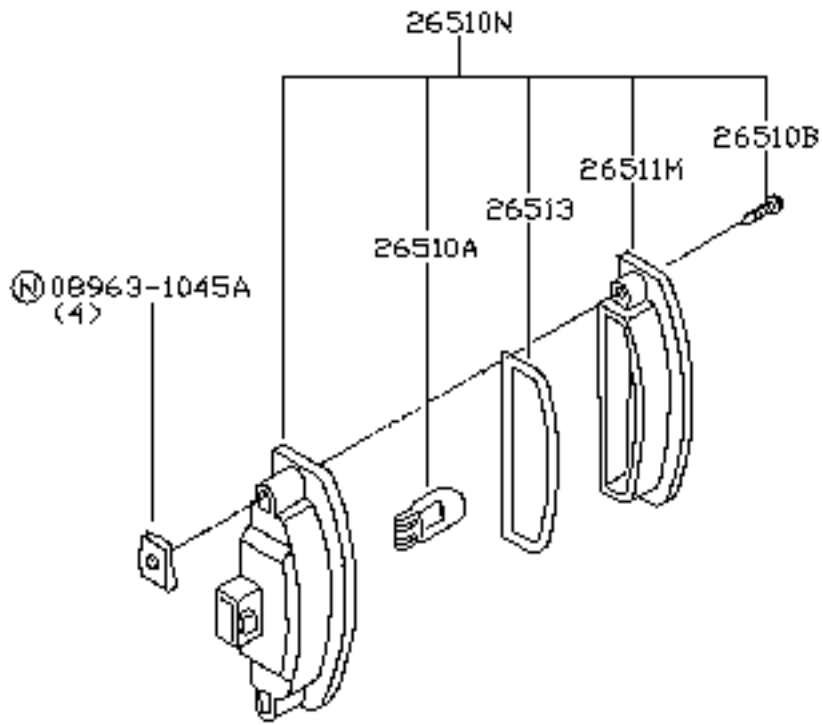
[Back To Body Electrical](#)

Nissan Pulsar GTI-R - Rear Lamps



[Back To Body Electrical](#)

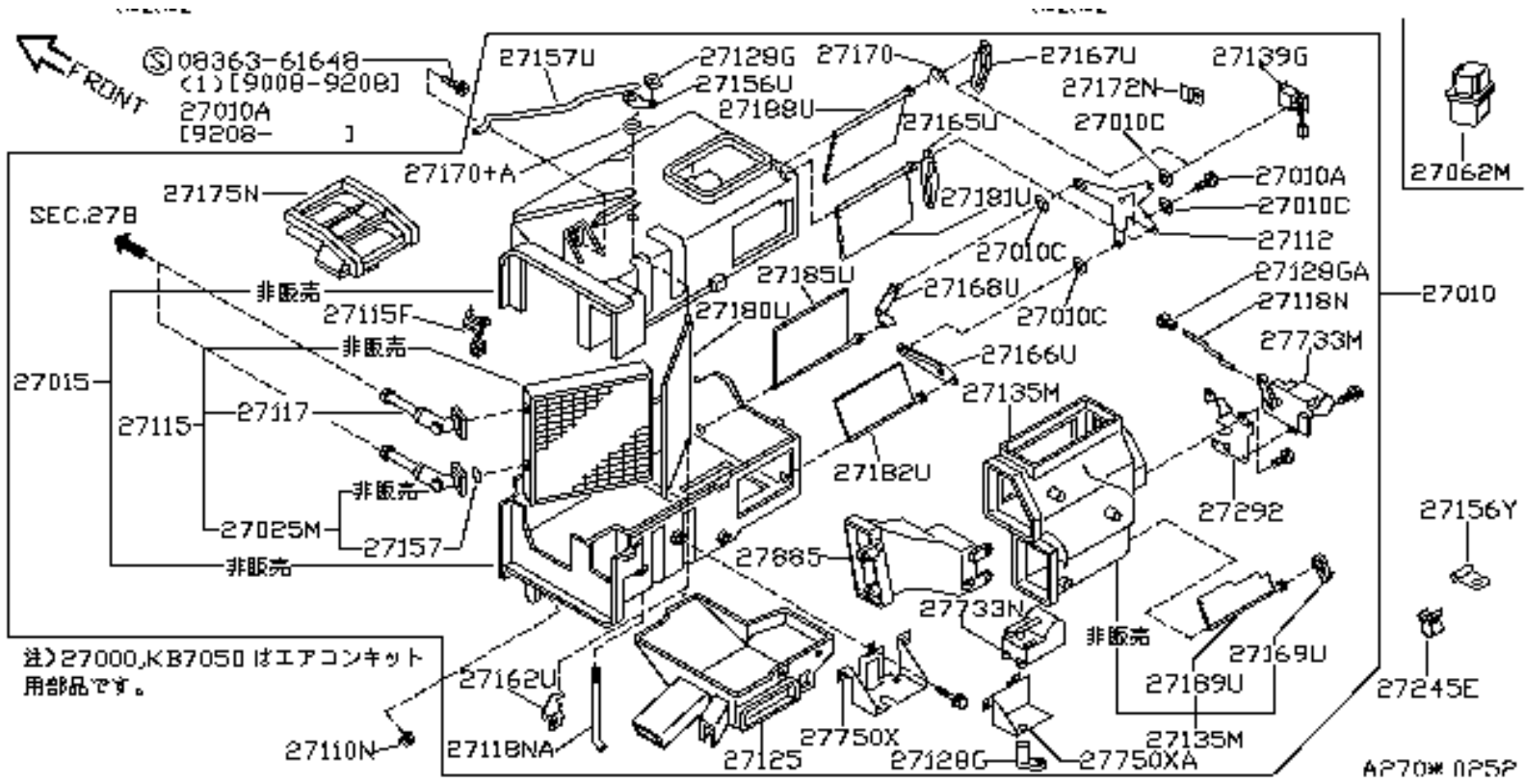
Nissan Pulsar GTI-R - Number Plate Lamps



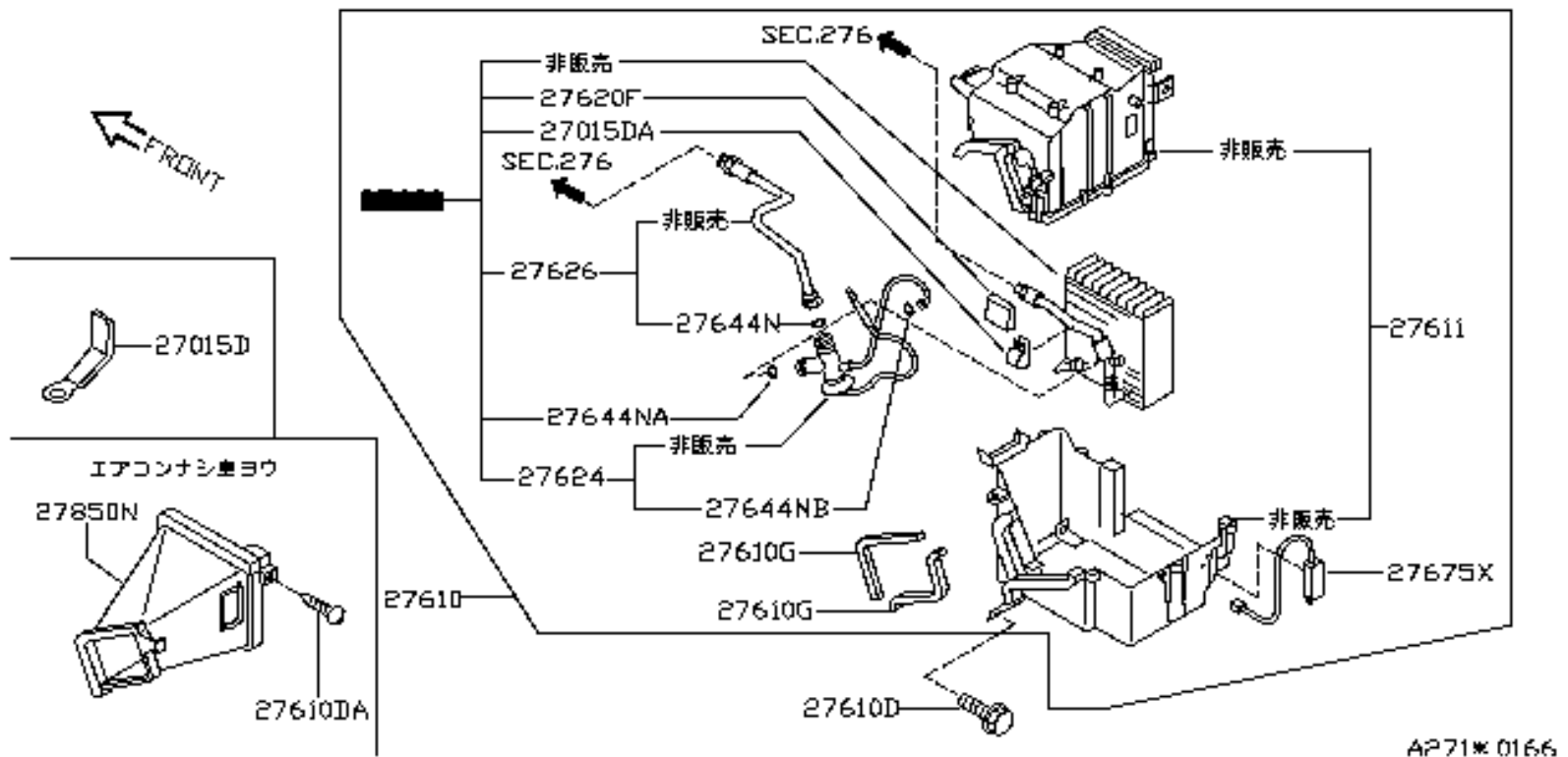
AP66* 0126

[Back To Body Electrical](#)

Nissan Pulsar GTI-R - Heater & Blower Unit - Page 1

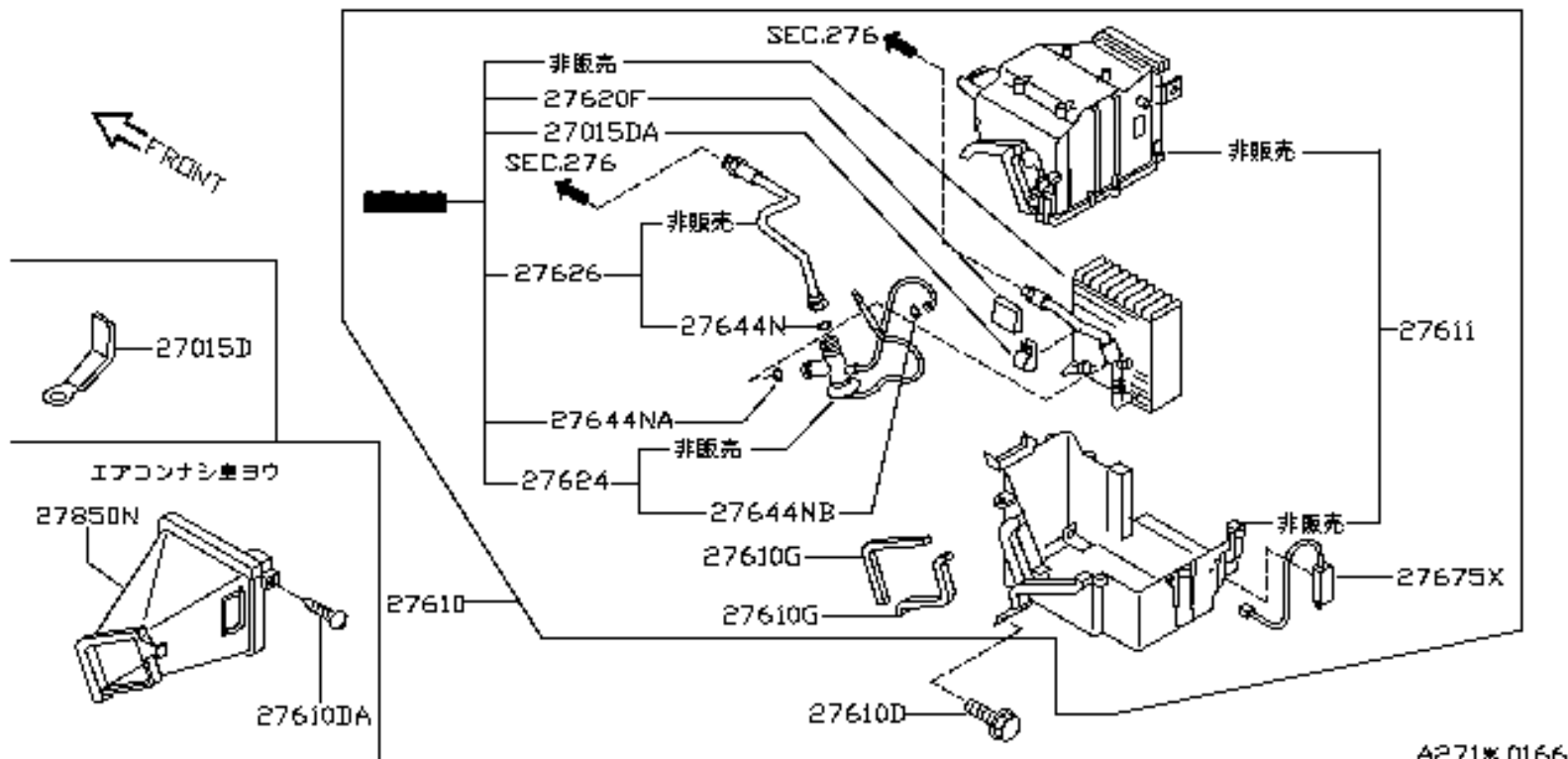


Nissan Pulsar GTI-R - Heater & Blower Unit - Page 2



[Back To Body Electrical](#)

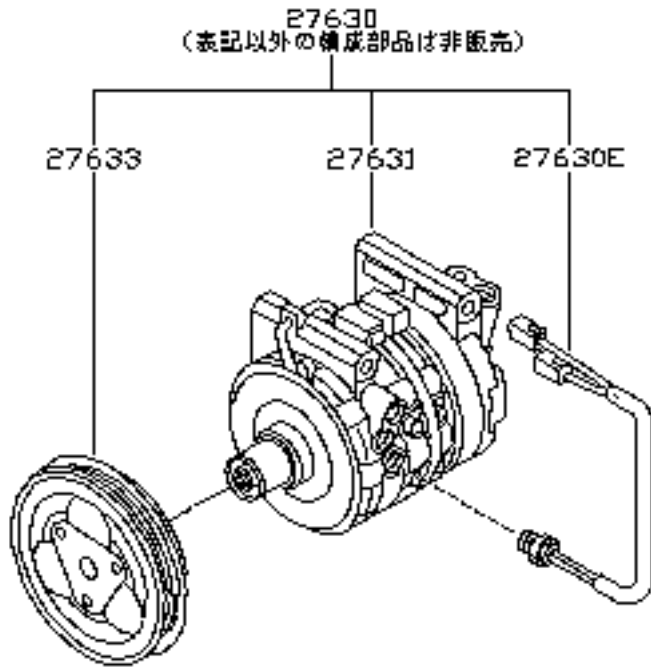
Nissan Pulsar GTI-R - Air Con Unit



[Back To Body Electrical](#)

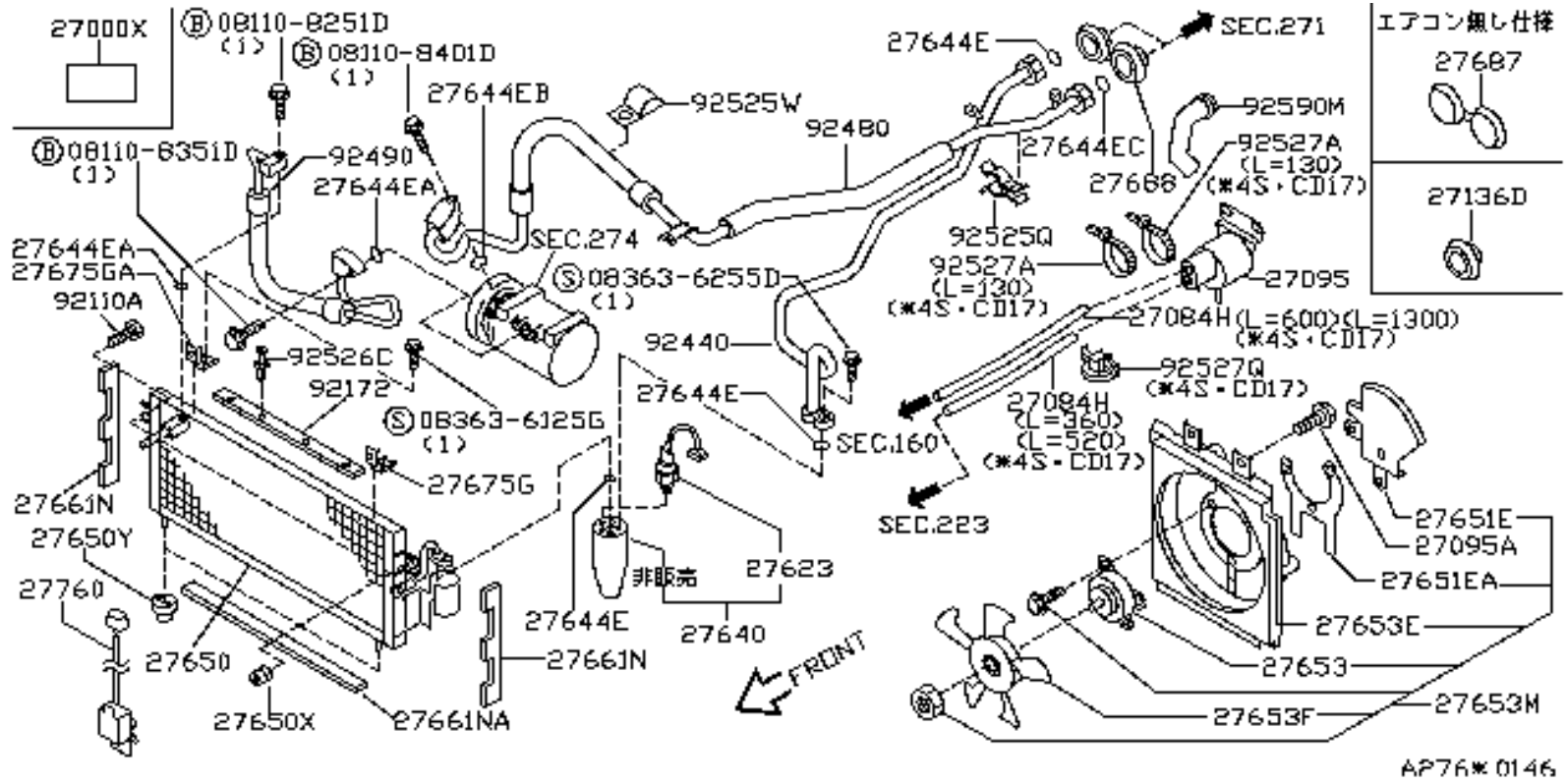
Nissan Pulsar GTI-R - Air Con Compressor

GA13DS+GA15DS+GA16DE+SR18DE+SR20DET



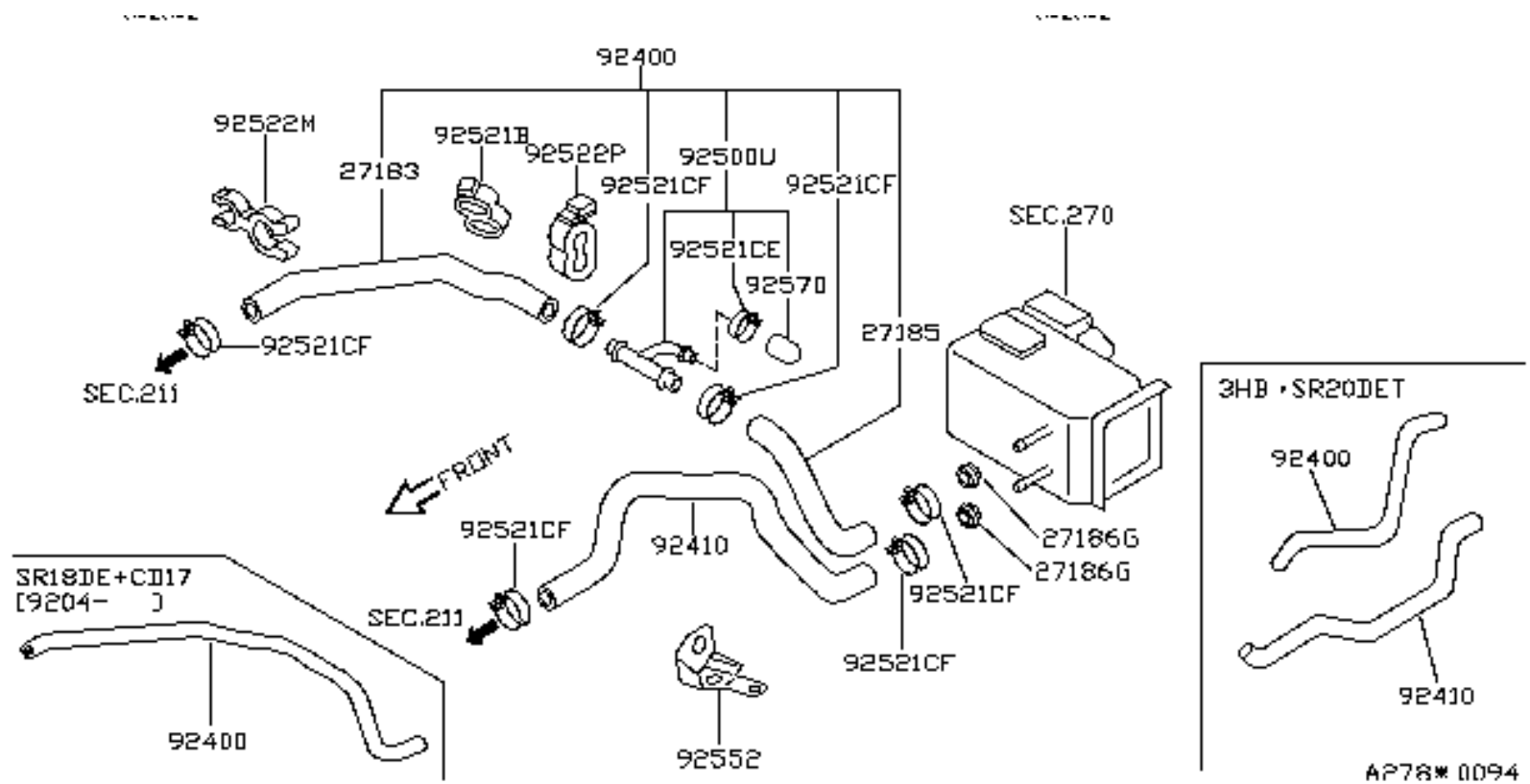
[Back To Body Electrical](#)

Nissan Pulsar GTI-R - Air Con Condensor



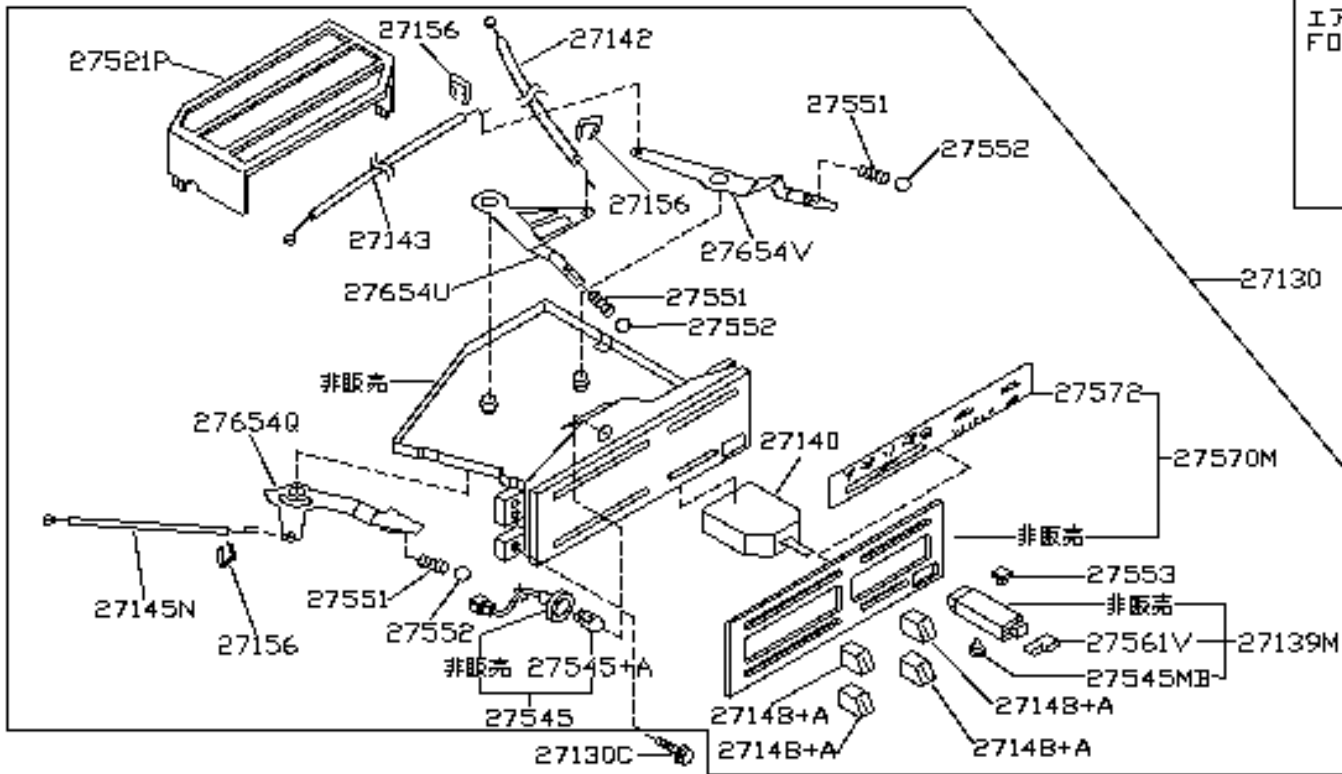
[Back To Body Electrical](#)

Nissan Pulsar GTI-R - Heater Hoses



[Back To Body Electrical](#)

Nissan Pulsar GTI-R - Heater Control - Page 1

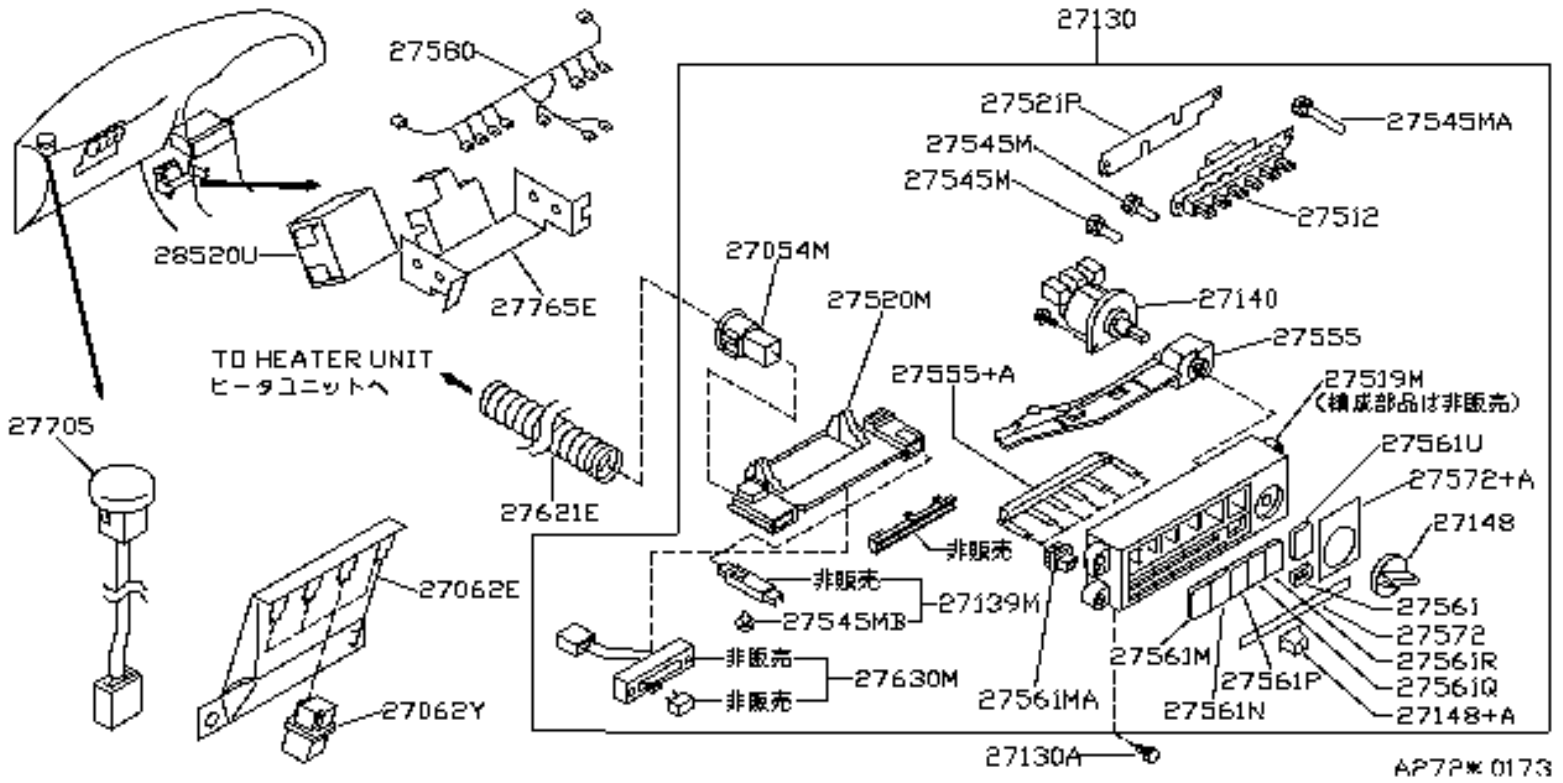


AP72*017P

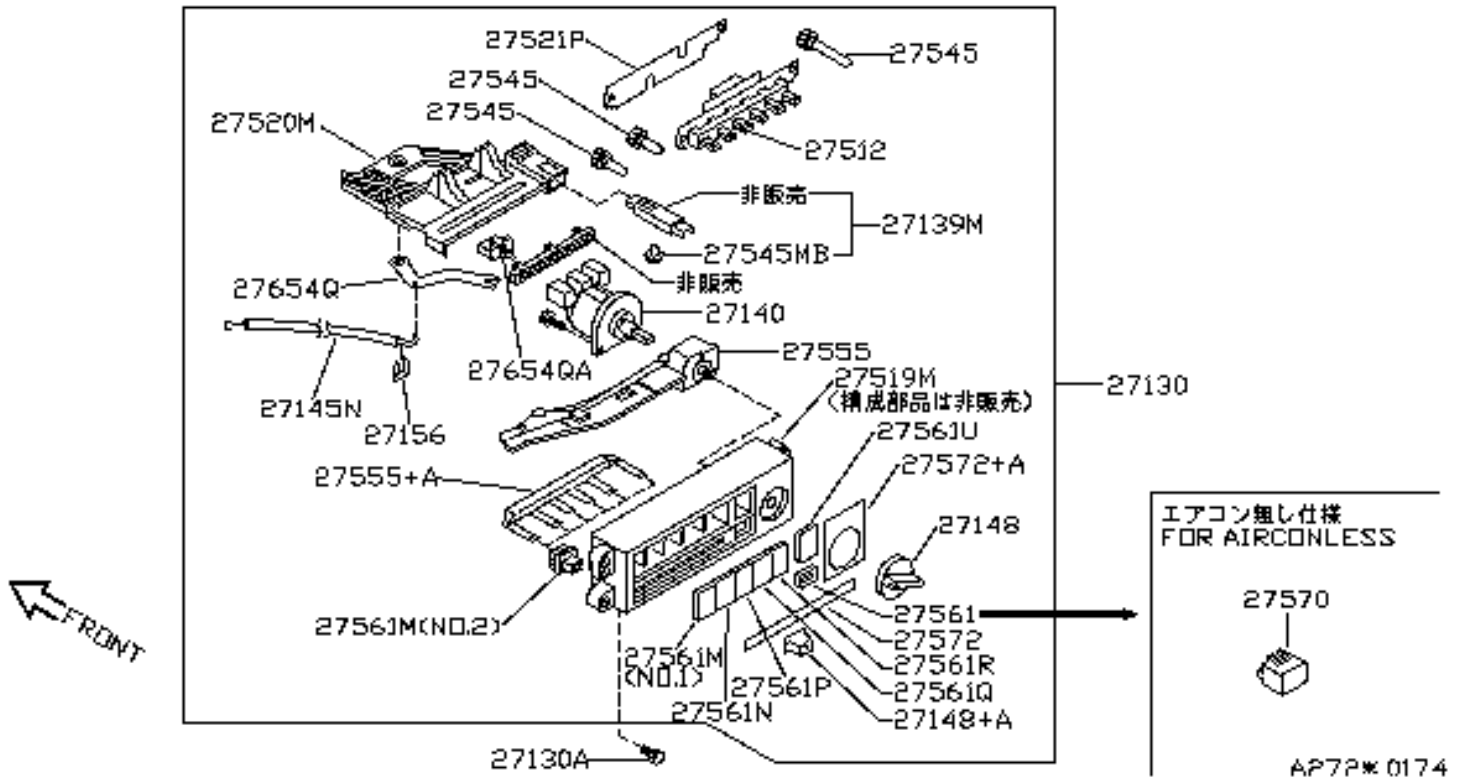
[Page 2](#)

[Back To Body Electrical](#)

Nissan Pulsar GTI-R - Heater Control - Page 2

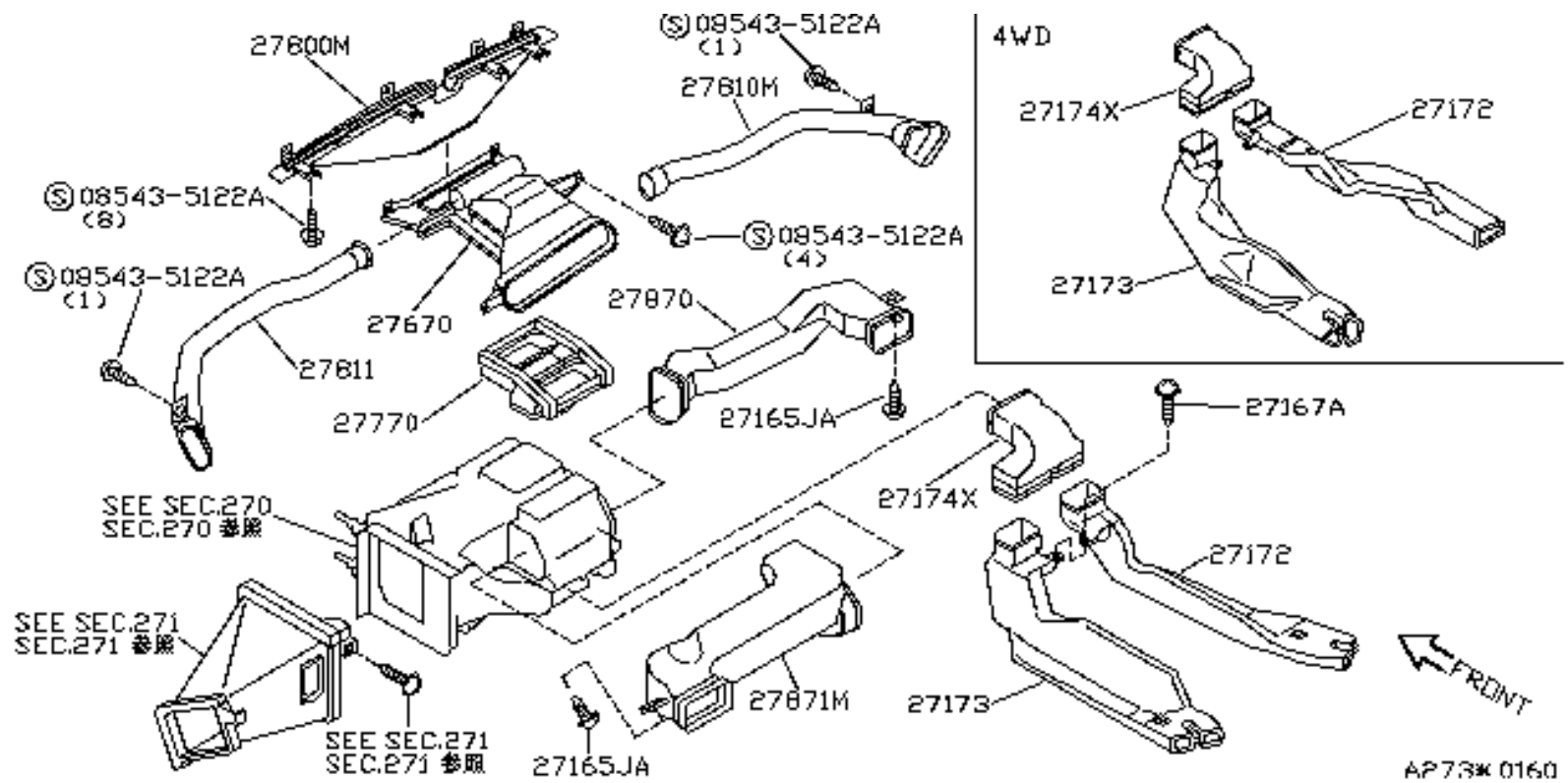


Nissan Pulsar GTI-R - Heater Control - Page 3



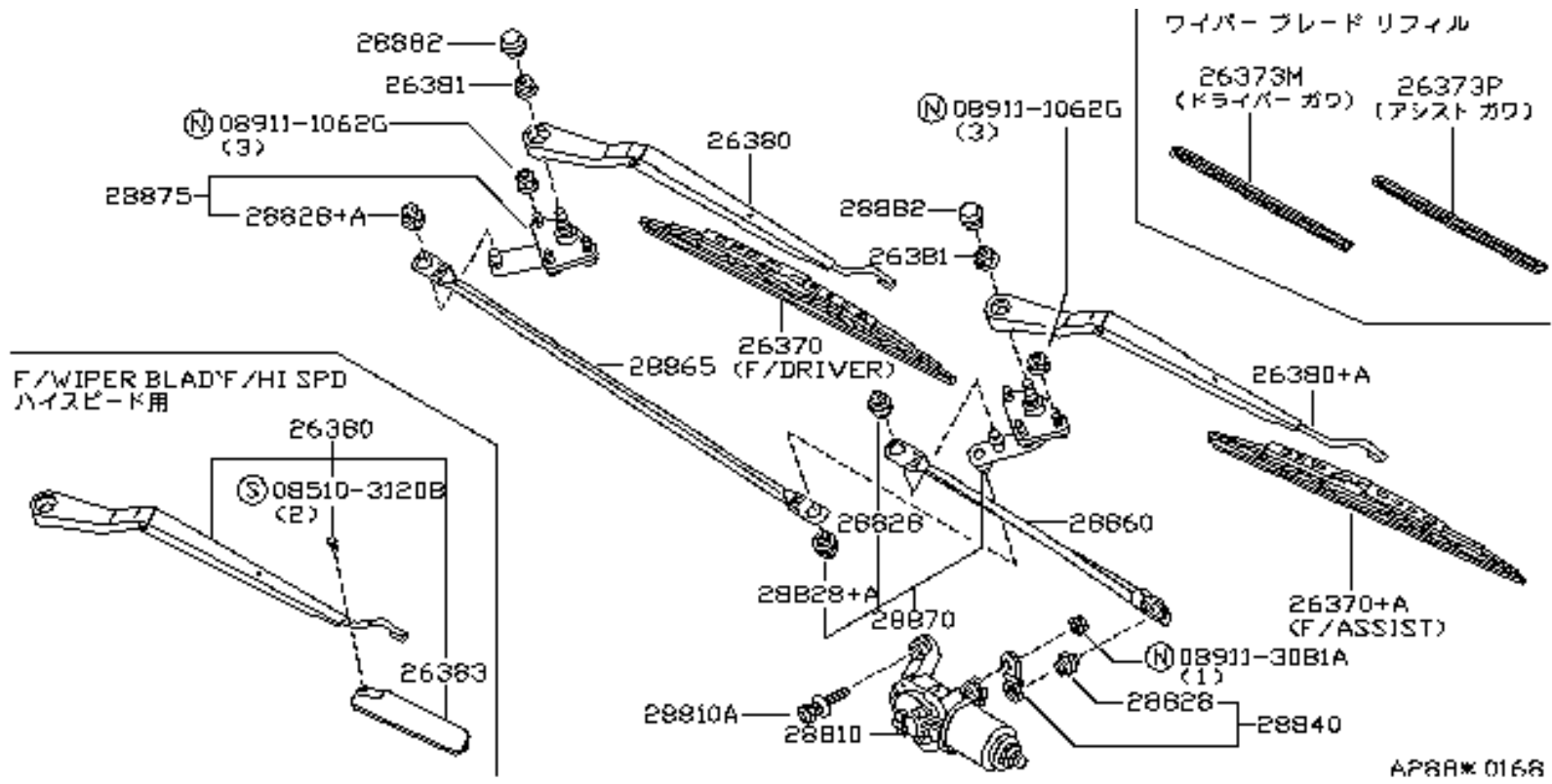
[Back To Body Electrical](#)

Nissan Pulsar GTI-R - Heater Nozzle & Ducts



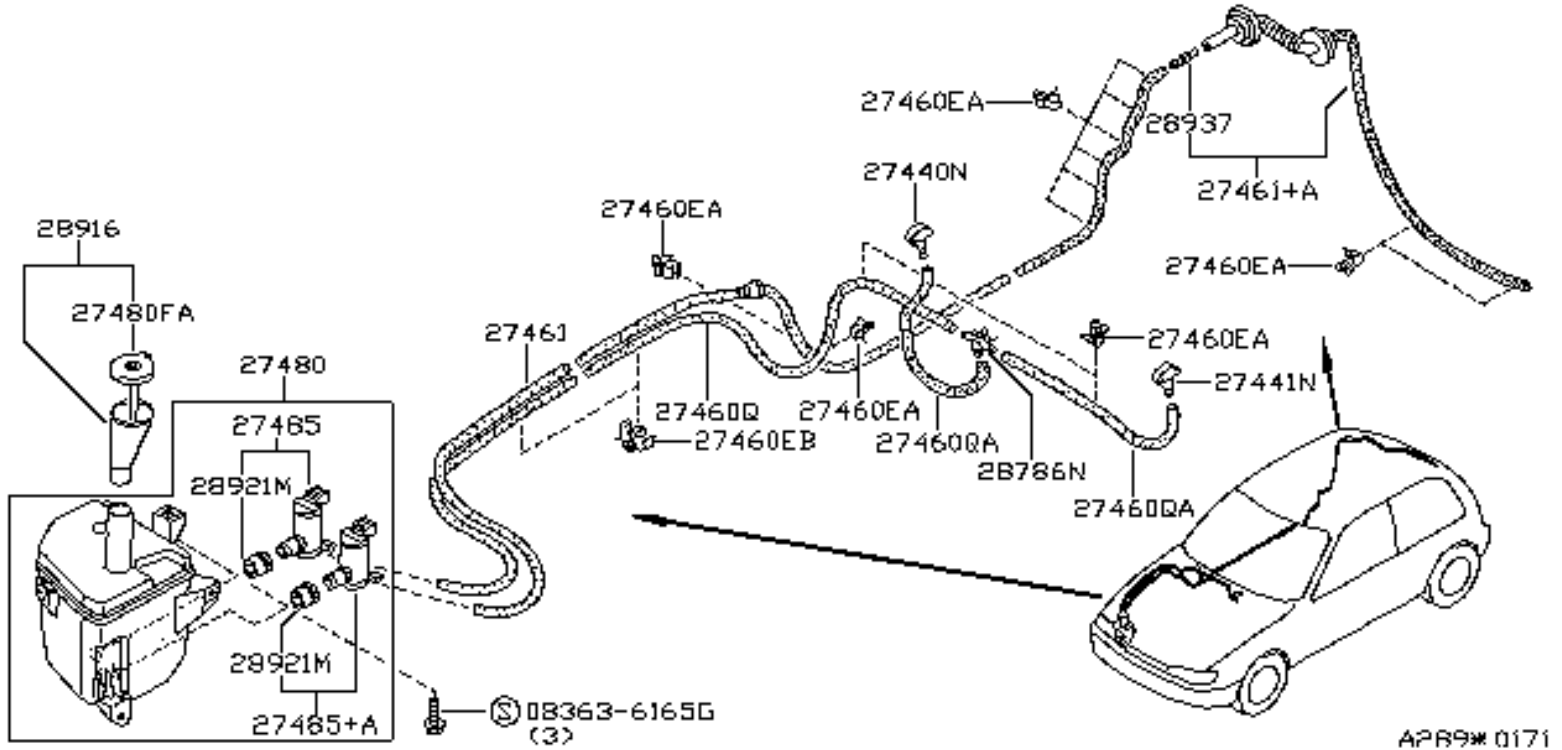
[Back To Body Electrical](#)

Nissan Pulsar GTI-R - Front Windshield Wipers



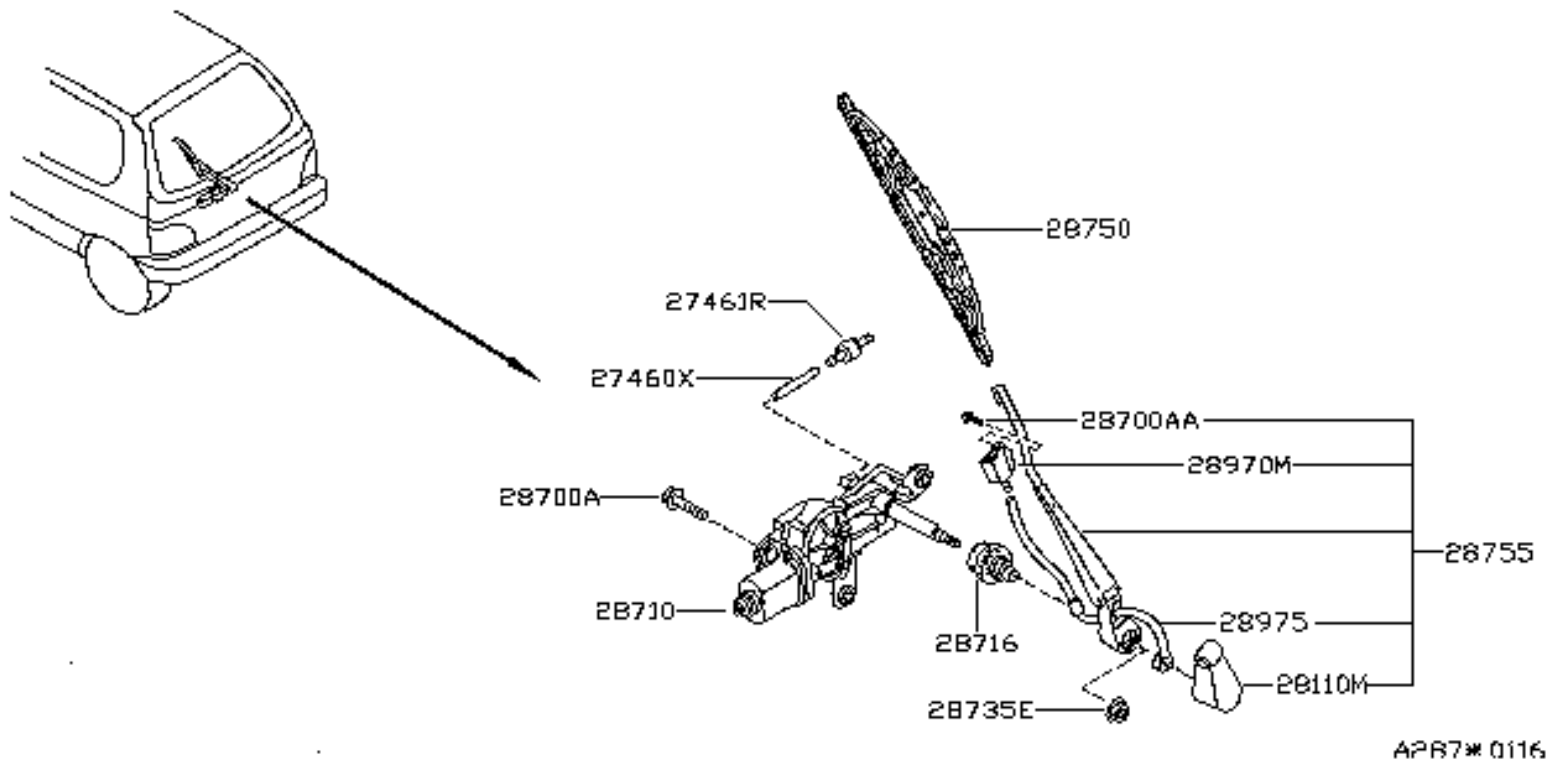
[Back To Body Electrical](#)

Nissan Pulsar GTI-R - Front Windshield Washer



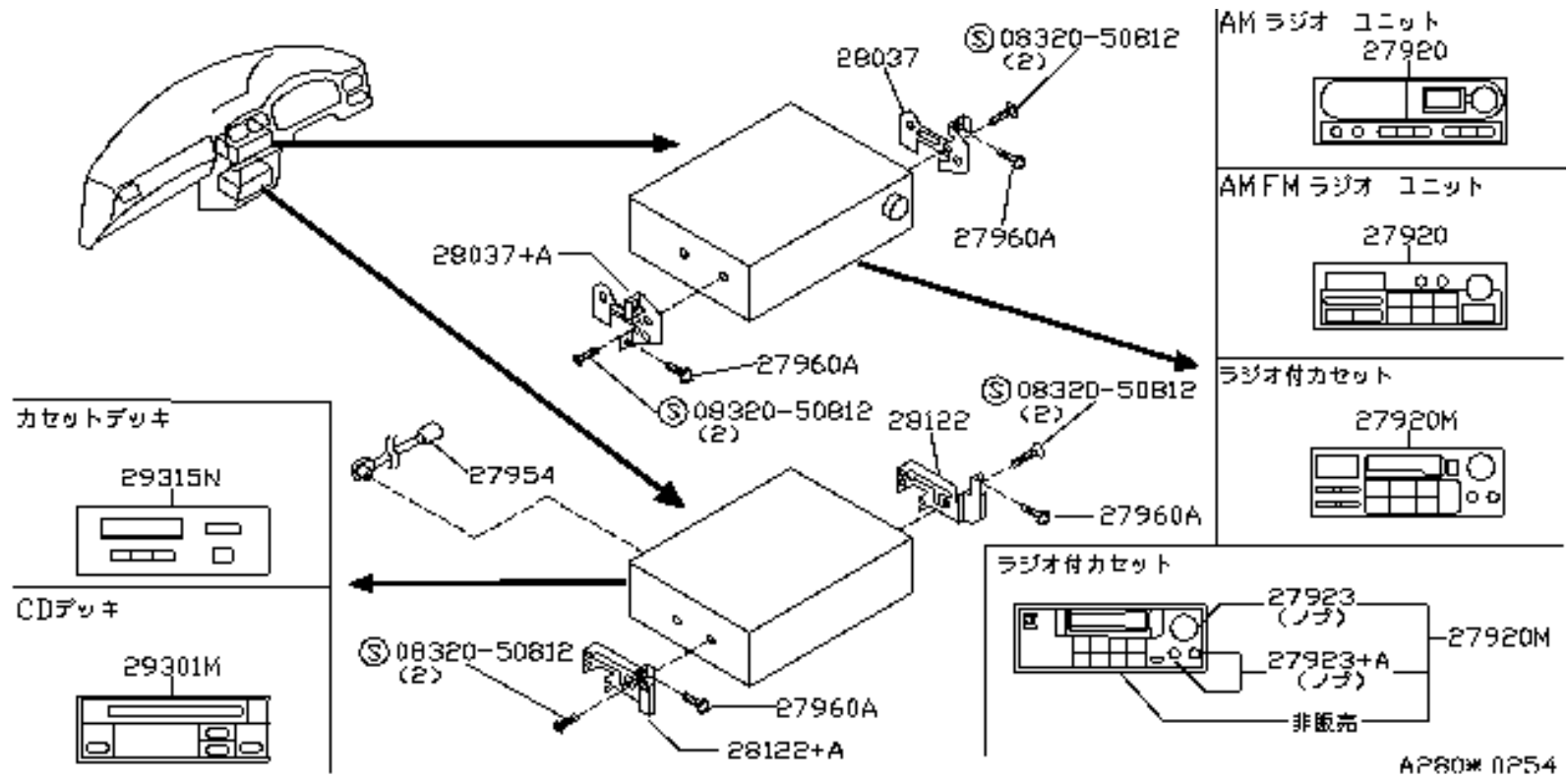
[Back To Body Electrical](#)

Nissan Pulsar GTI-R - Rear Windshield Wipers



[Back To Body Electrical](#)

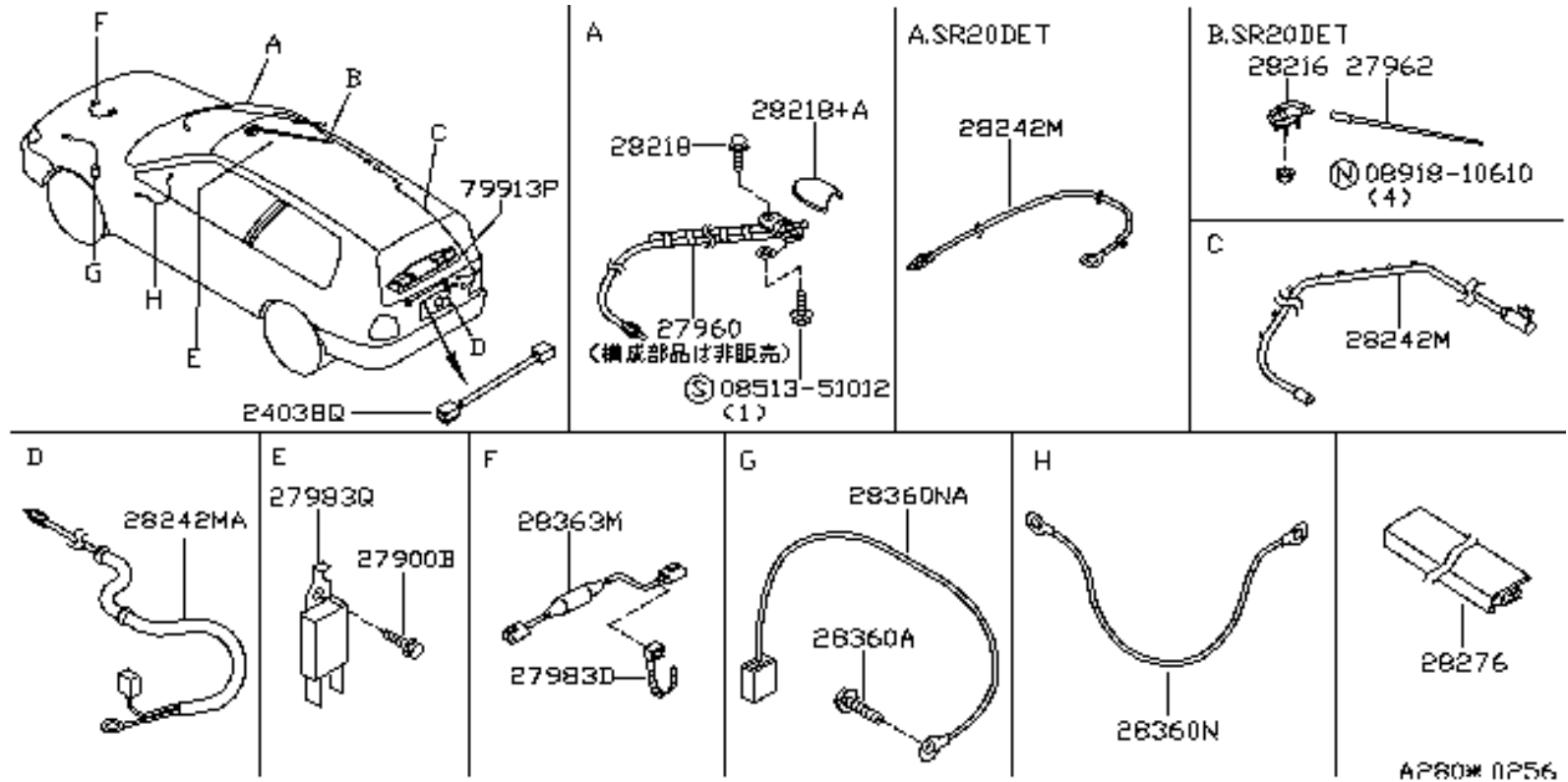
Nissan Pulsar GTI-R - Audio - Page 1



[Page 2](#)

[Back To Body Electrical](#)

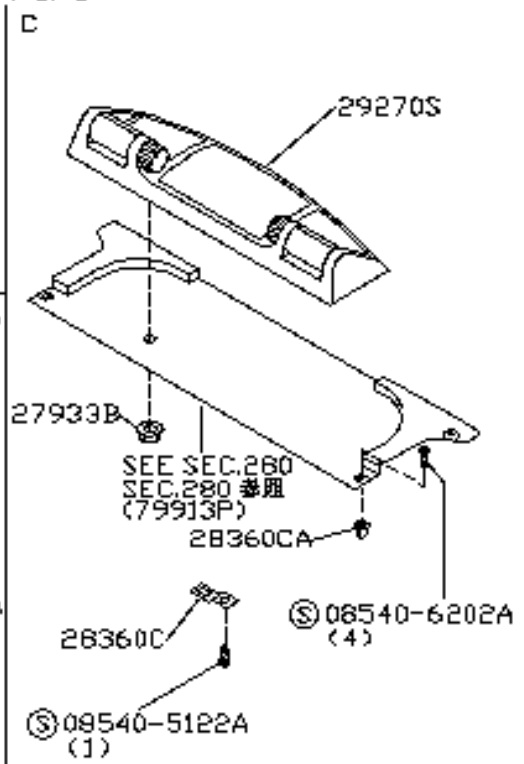
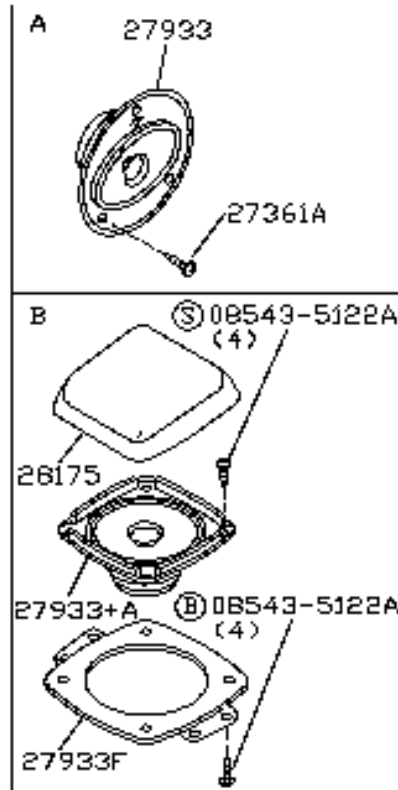
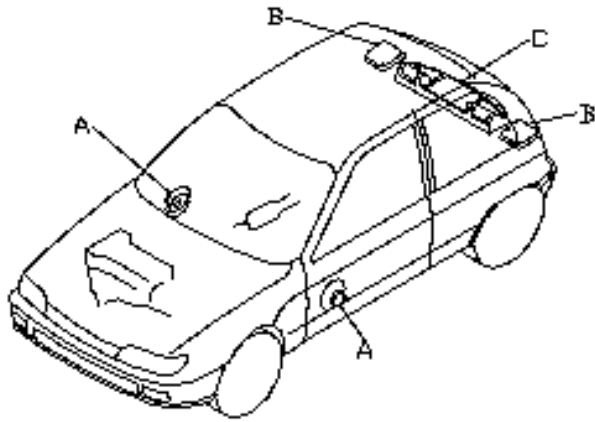
Nissan Pulsar GTI-R - Audio - Page 2



[Back To Body Electrical](#)

Nissan Pulsar GTI-R - Speakers

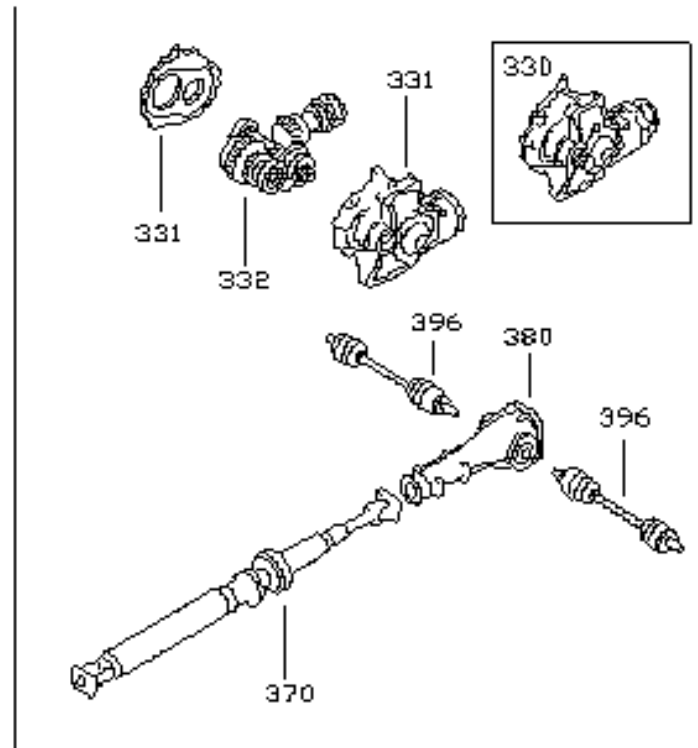
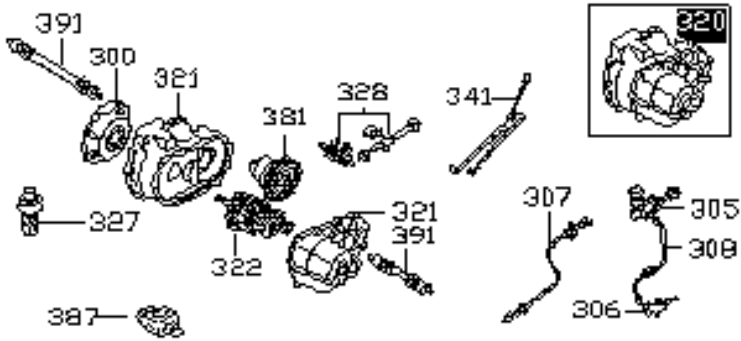
3HB



APR4* 0104

[Back To Body Electrical](#)

Nissan Pulsar GTI-R - Power Train



AF00ER0N14

Index

[Back To Main Menu](#)

300 - [Clutch Cover & Disc](#)

305 - [Clutch Master Cylinder](#)

306 - [Clutch Slave Cylinder](#)

307 - [Clutch Control](#)

308 - [Clutch Piping](#)

320 - [Transmission Assy](#)

321 - [Transmission Case & Clutch Release](#)

322 - [Transmission Gear](#)

327 - [Speedometer Pinion](#)

328 - [Transmission Shift Control](#)

330 - [Transfer Assy & Fittings](#)

331 - [Transfer Case](#)

332 - [Transfer Gear](#)

341 - [Transmission Control & Linkage](#)

370 - [Propeller Shaft](#)

380 - [Rear Final Drive](#)

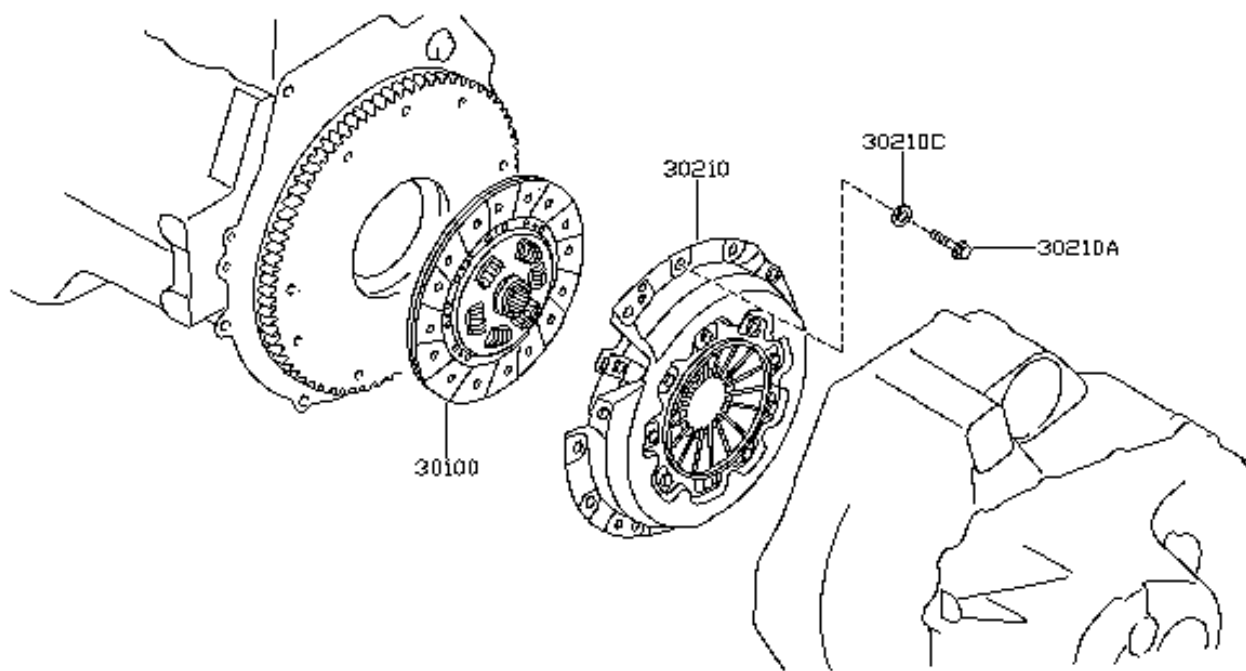
381 - [Front Final Drive](#)

387 - [Front Differential](#)

391 - [Front Drive Shafts](#)

396 - [Rear Drive Shafts](#)

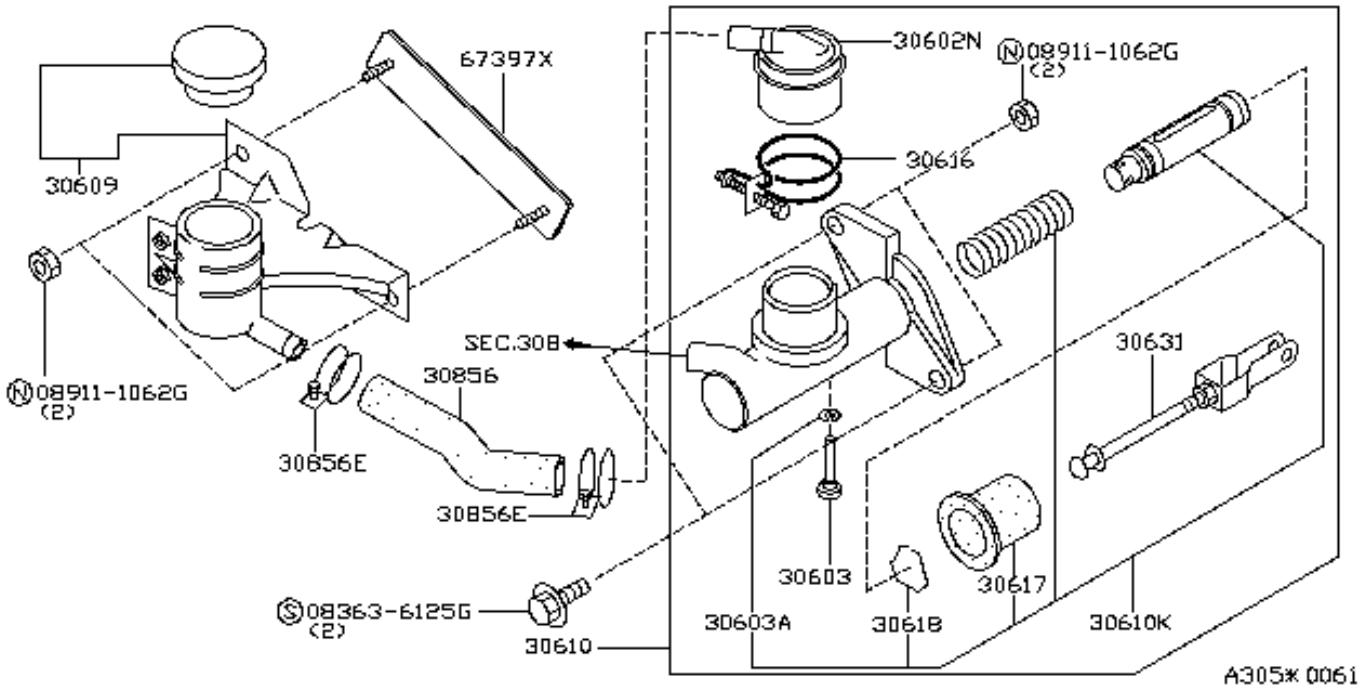
Nissan Pulsar GTI-R - Clutch Cover & Disc



A300F 0044

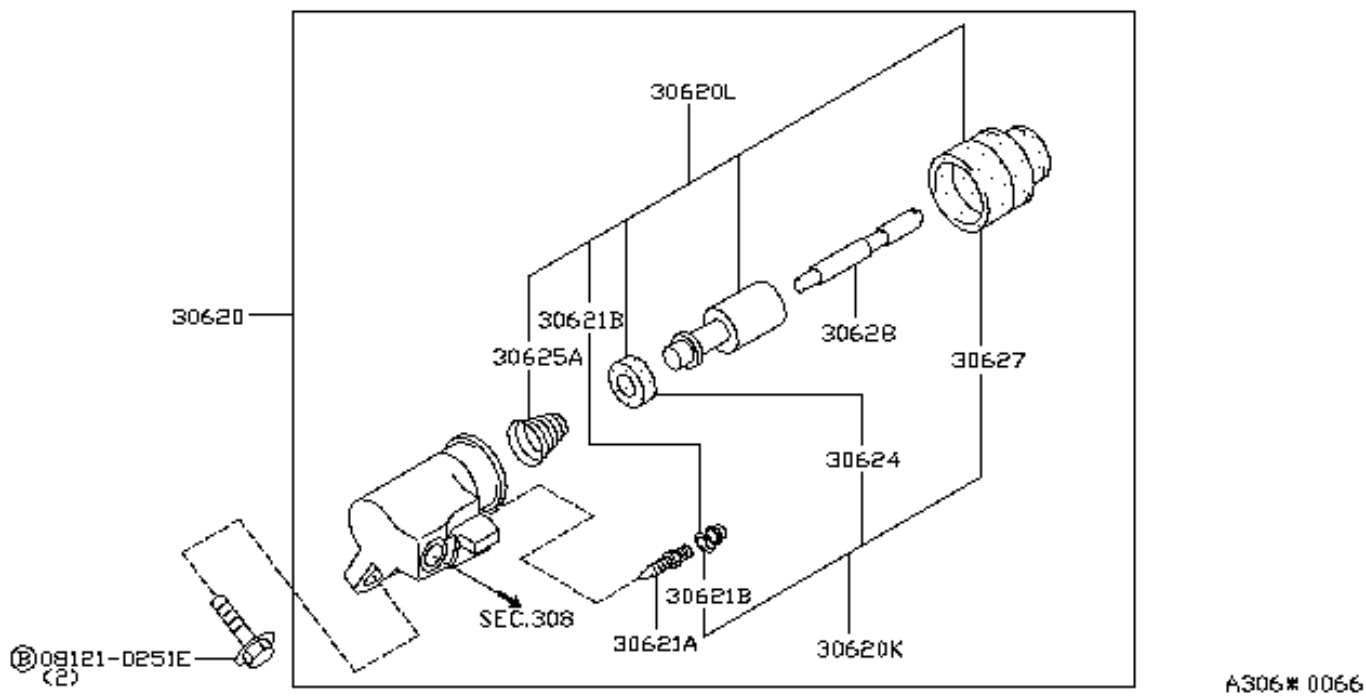
[Back To Power Train](#)

Nissan Pulsar GTI-R - Clutch Master Cylinder



[Back To Power Train](#)

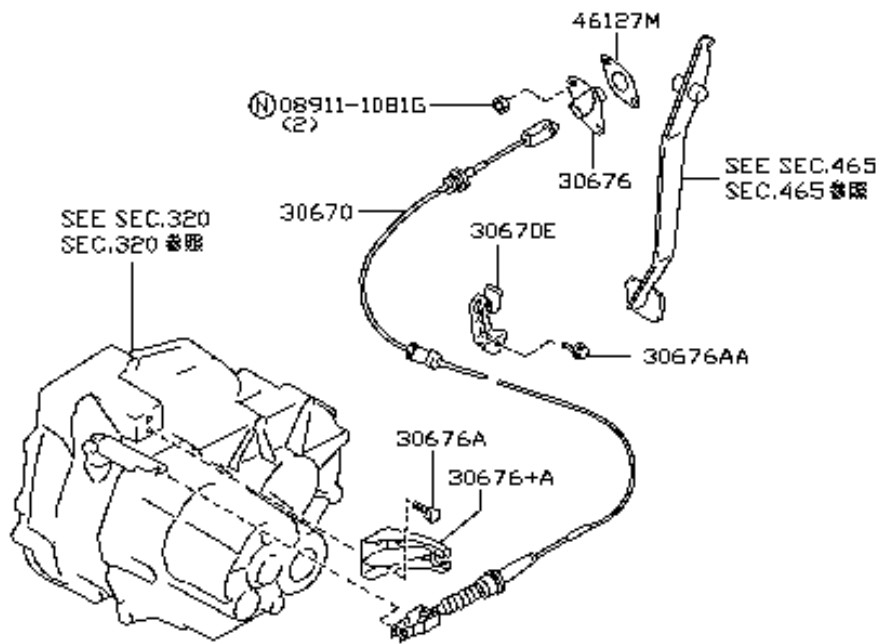
Nissan Pulsar GTI-R - Clutch Slave Cylinder



A306* 0066

[Back To Power Train](#)

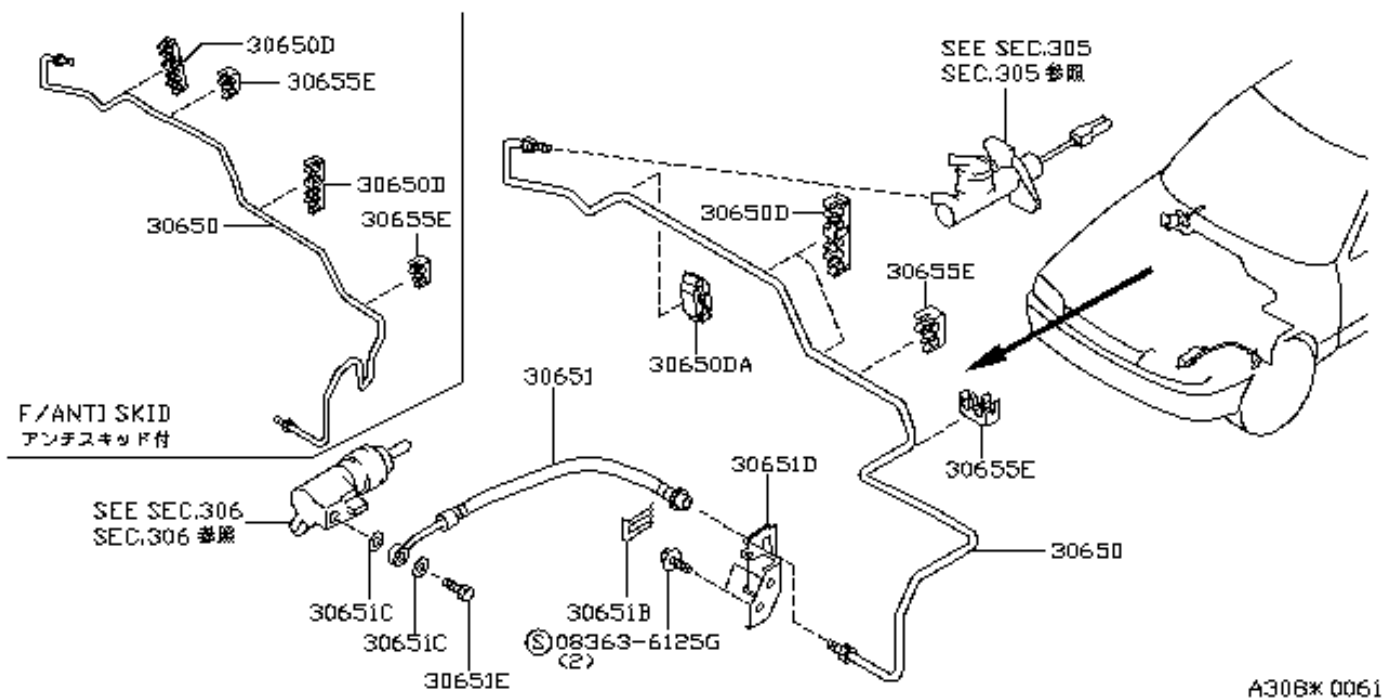
Nissan Pulsar GTI-R - Clutch Control



A307C 0001

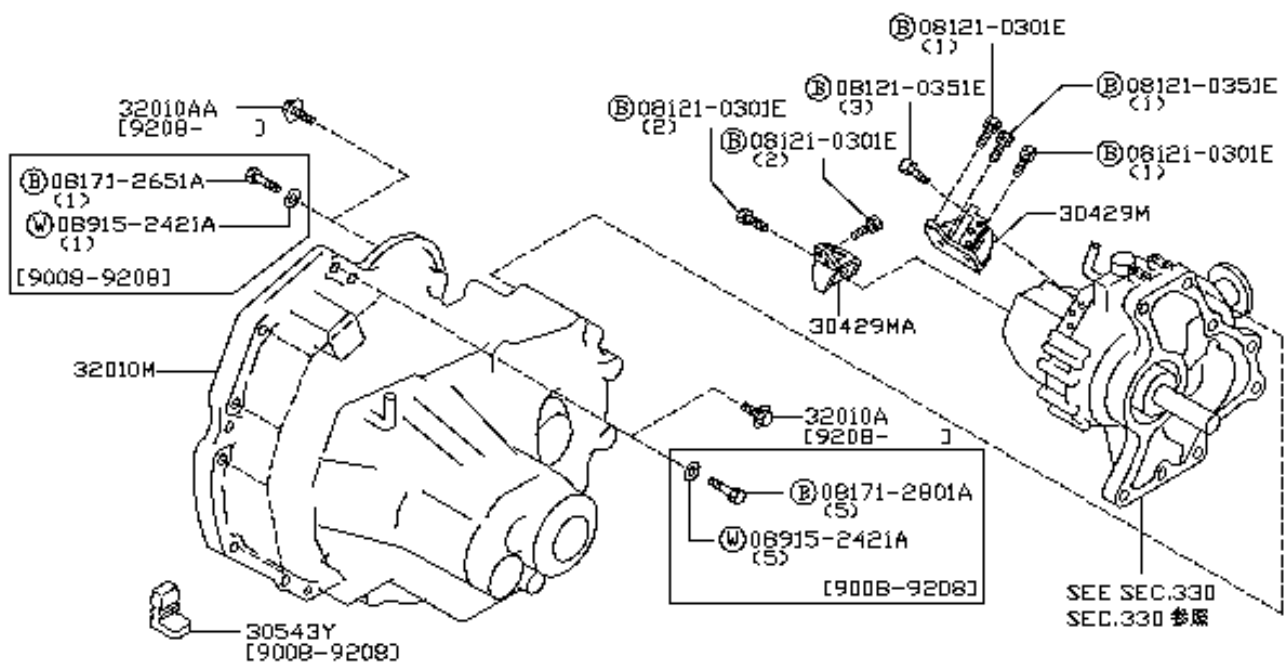
[Back To Power Train](#)

Nissan Pulsar GTI-R - Clutch Piping



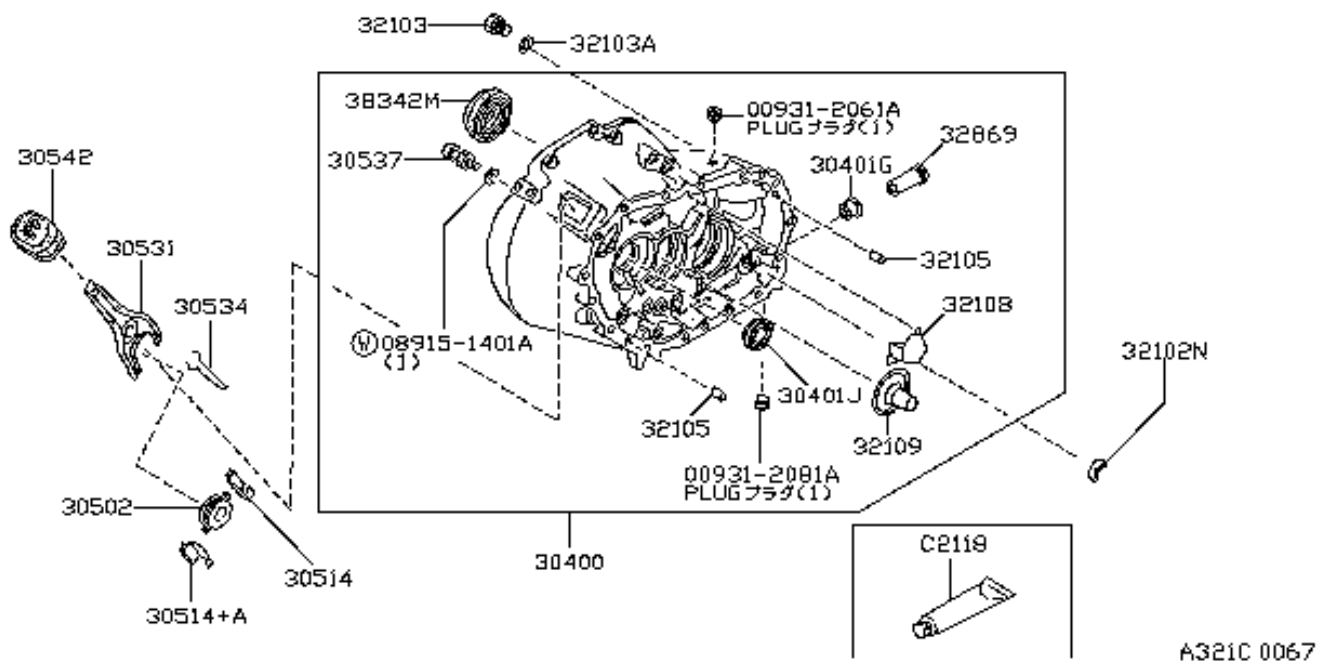
[Back To Power Train](#)

Nissan Pulsar GTI-R - Transmission Assy



[Back To Power Train](#)

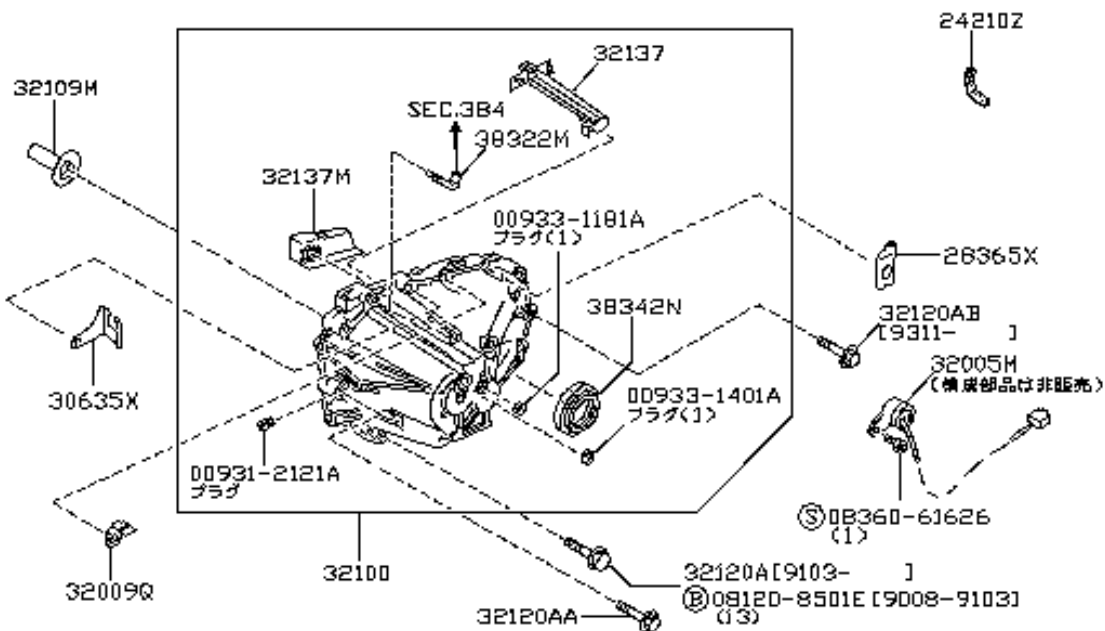
Nissan Pulsar GTI-R - Transmission Case & Clutch Release - Page 1



[Page 2](#)

[Back To Power Train](#)

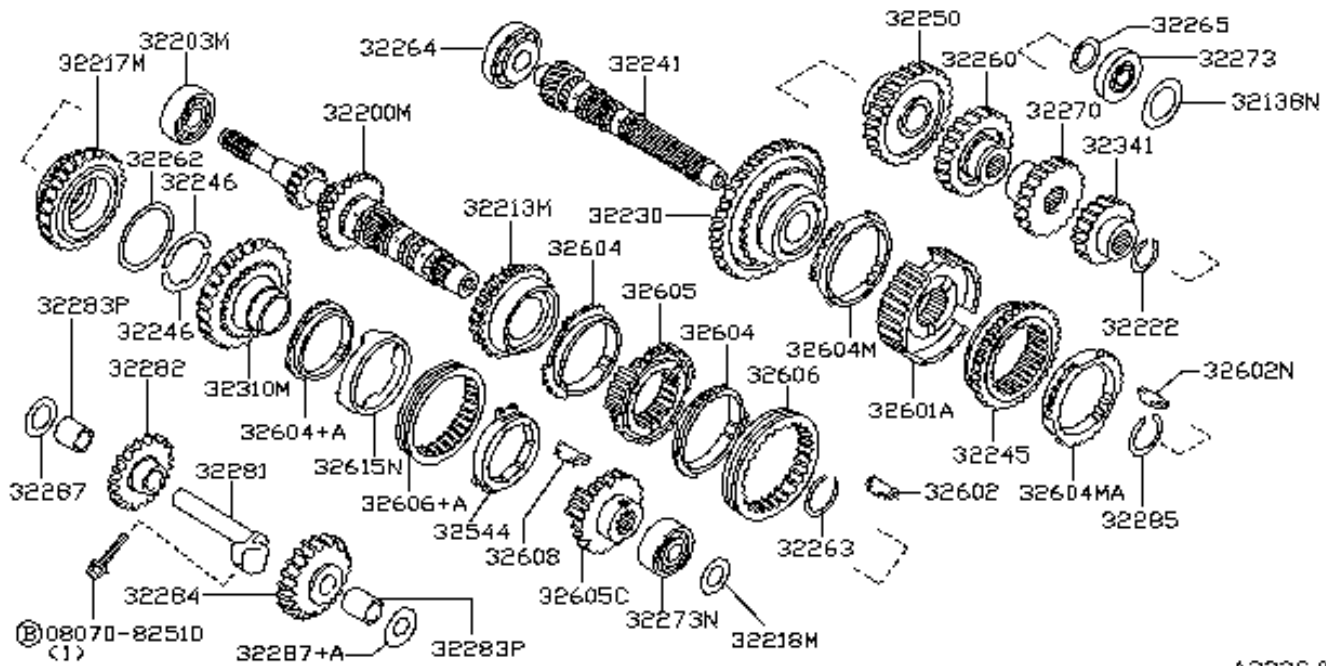
Nissan Pulsar GTI-R - Transmission Case & Clutch Release - Page 2



A321C 0068

[Back To Power Train](#)

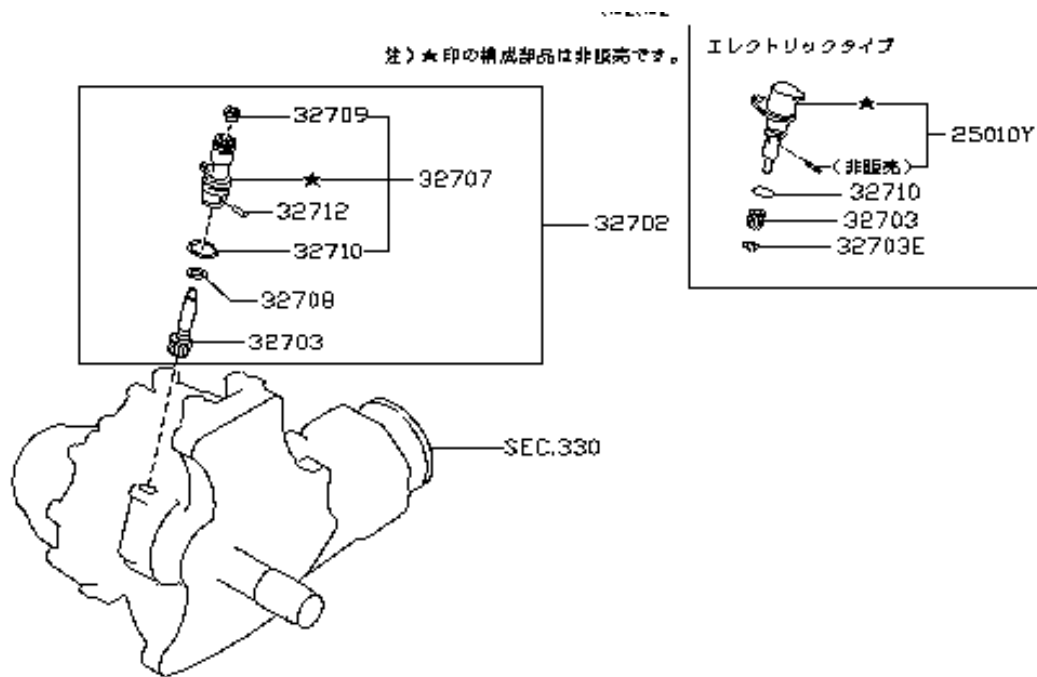
Nissan Pulsar GTI-R - Transmission Gear



A322C 0063

[Back To Power Train](#)

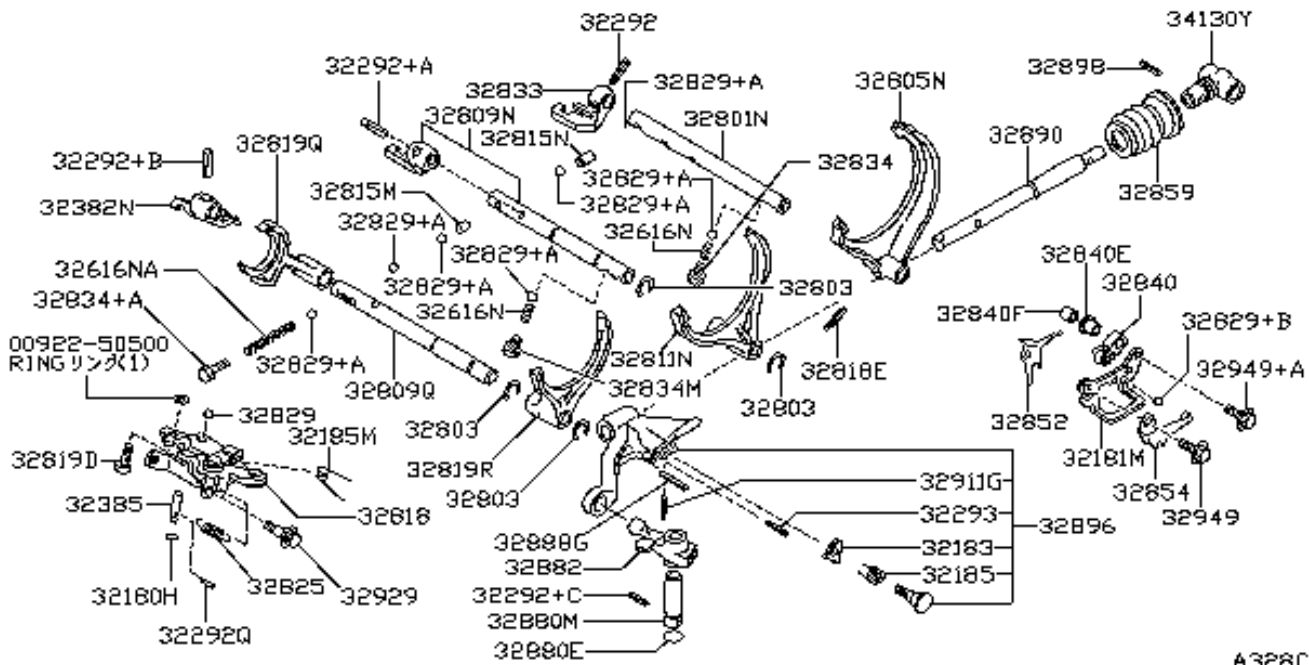
Nissan Pulsar GTI-R - Speedometer Pinion



A327C 0019

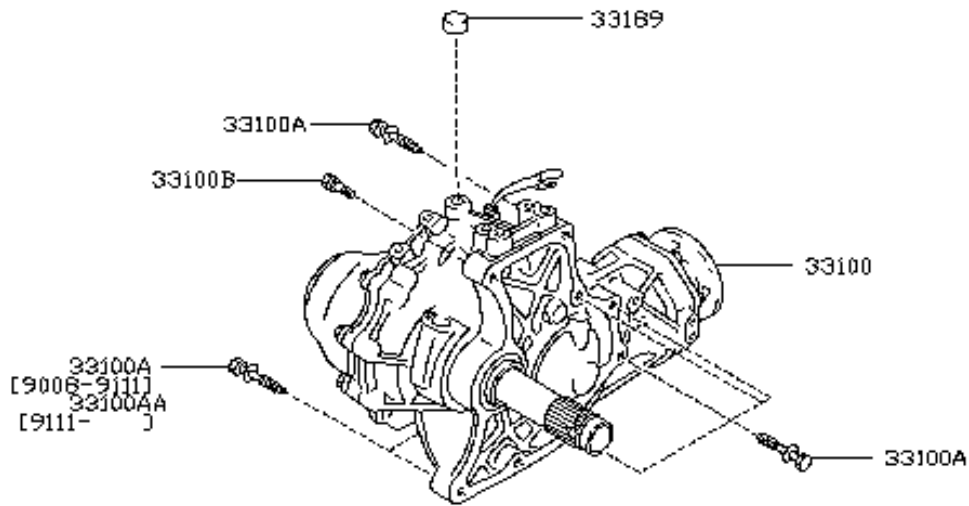
[Back To Power Train](#)

Nissan Pulsar GTI-R - Transmission Shift & Linkage



[Back To Power Train](#)

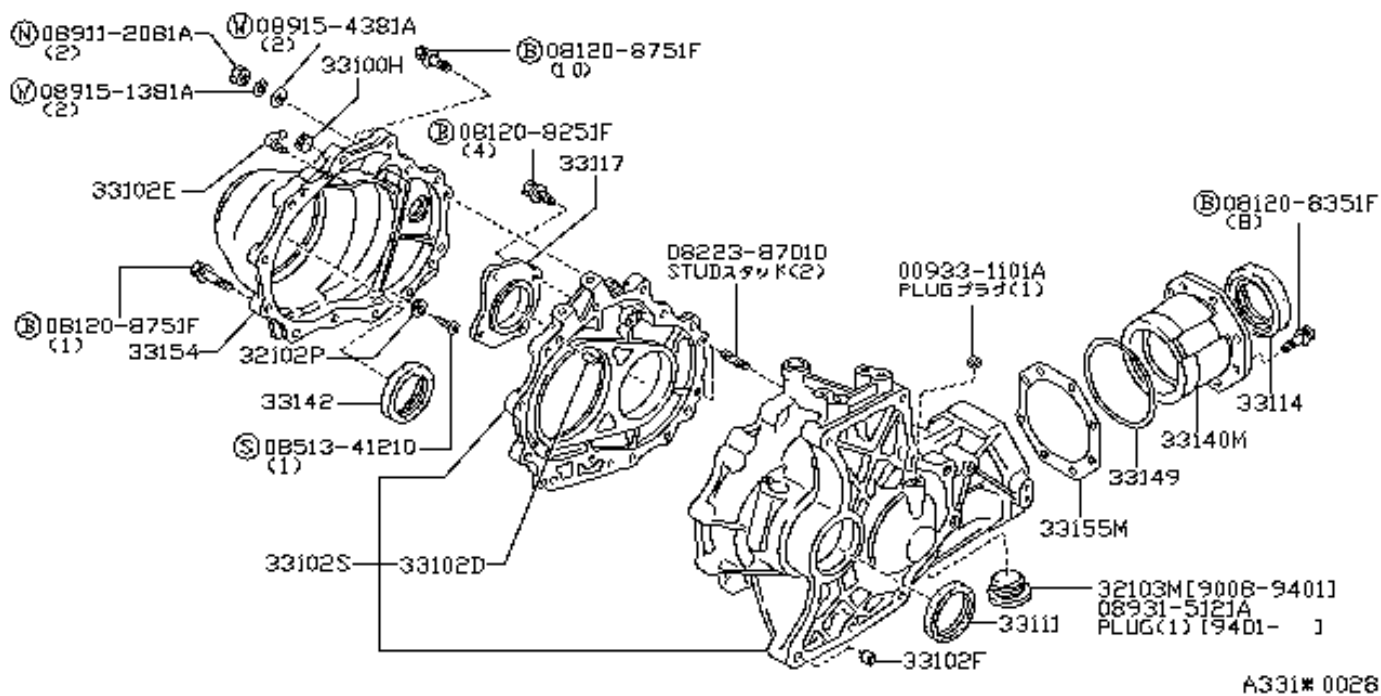
Nissan Pulsar GTI-R - Transfer Assy & Fittings



A330* 0017

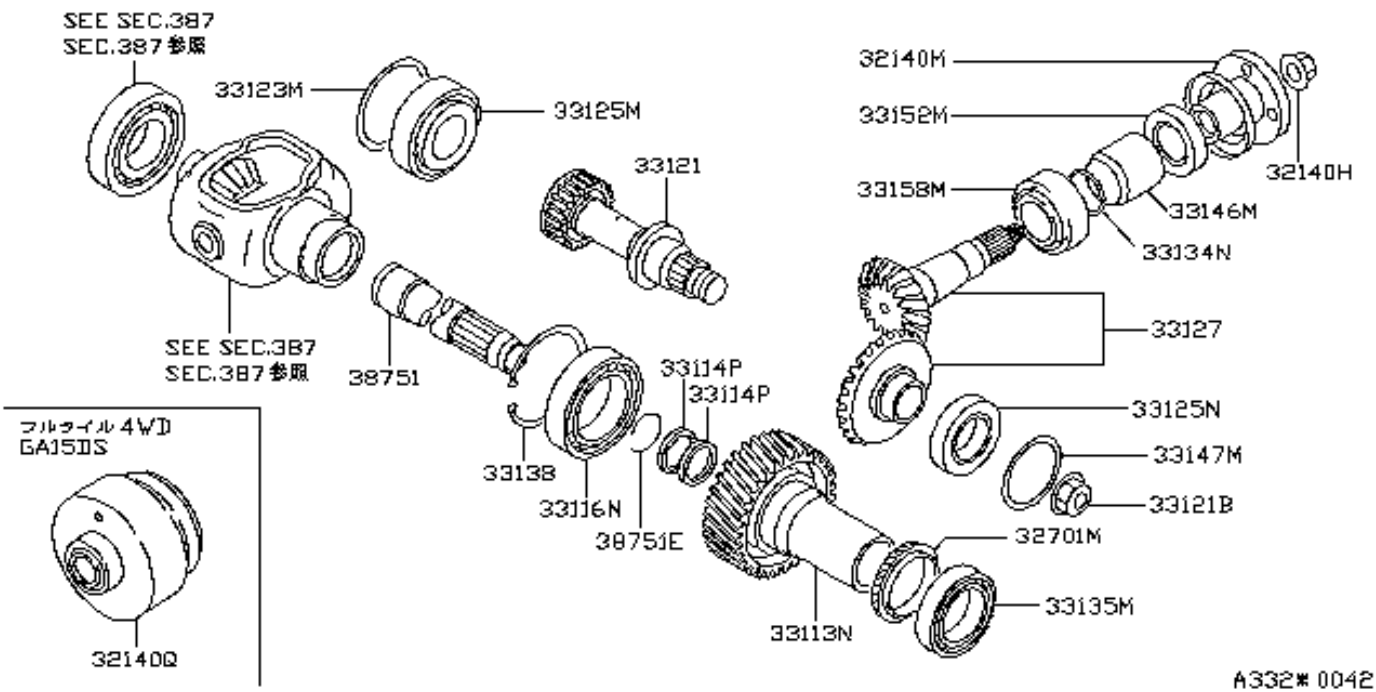
[Back To Power Train](#)

Nissan Pulsar GTI-R - Transfer Case



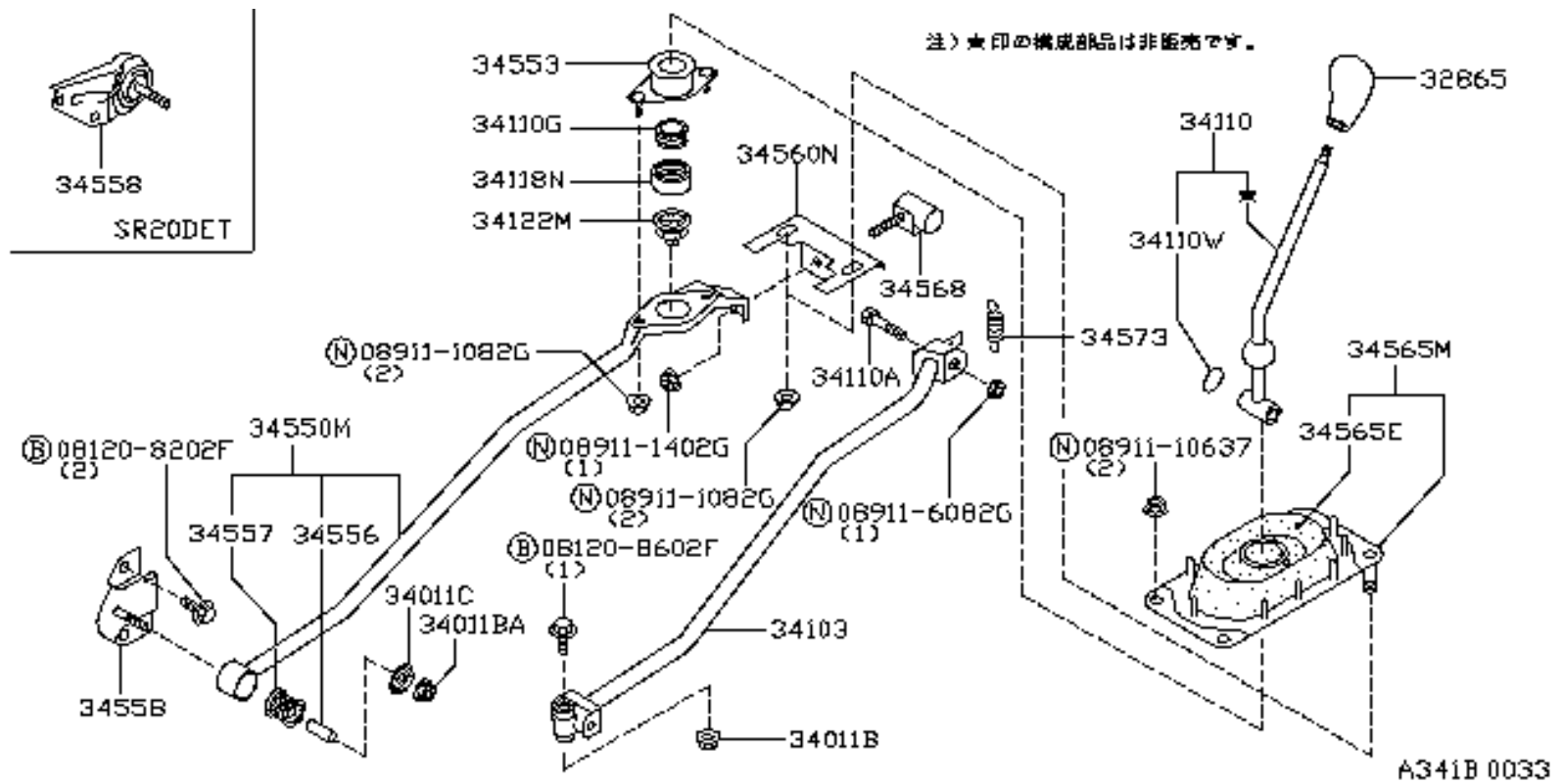
[Back To Power Train](#)

Nissan Pulsar GTI-R - Transfer Gear



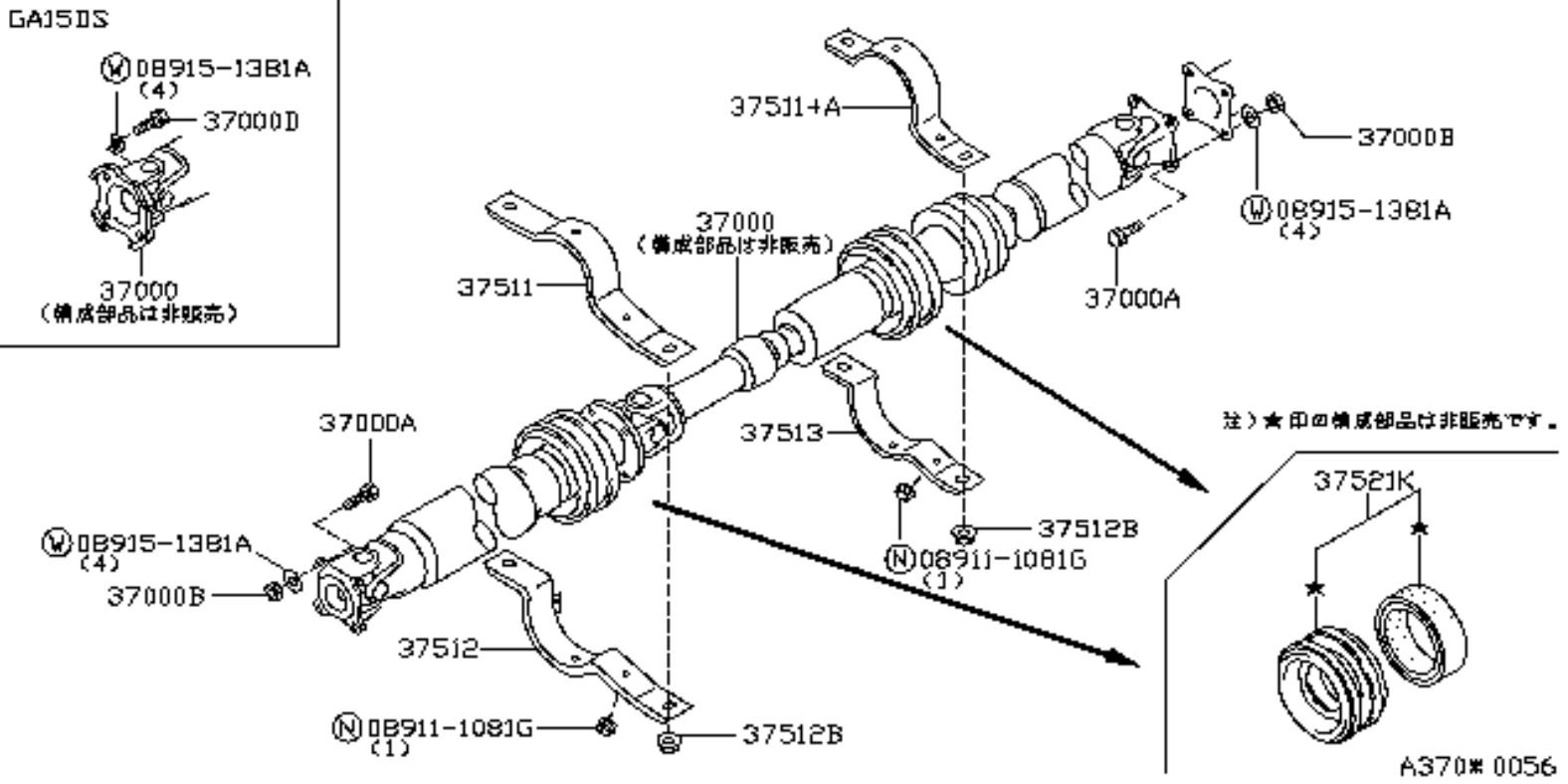
[Back To Power Train](#)

Nissan Pulsar GTI-R - Transmission Control & Linkage



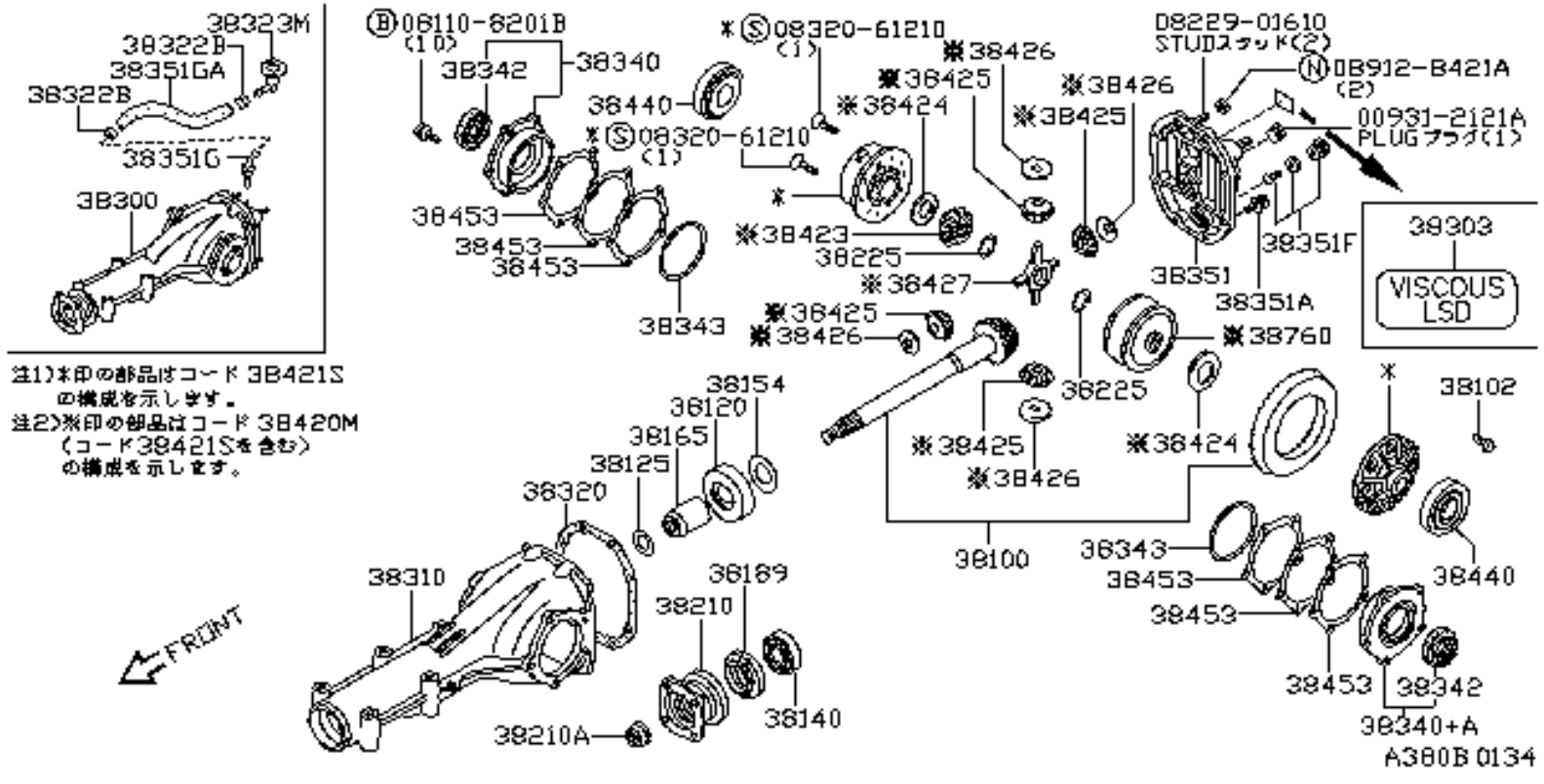
[Back To Power Train](#)

Nissan Pulsar GTI-R - Propeller Shaft



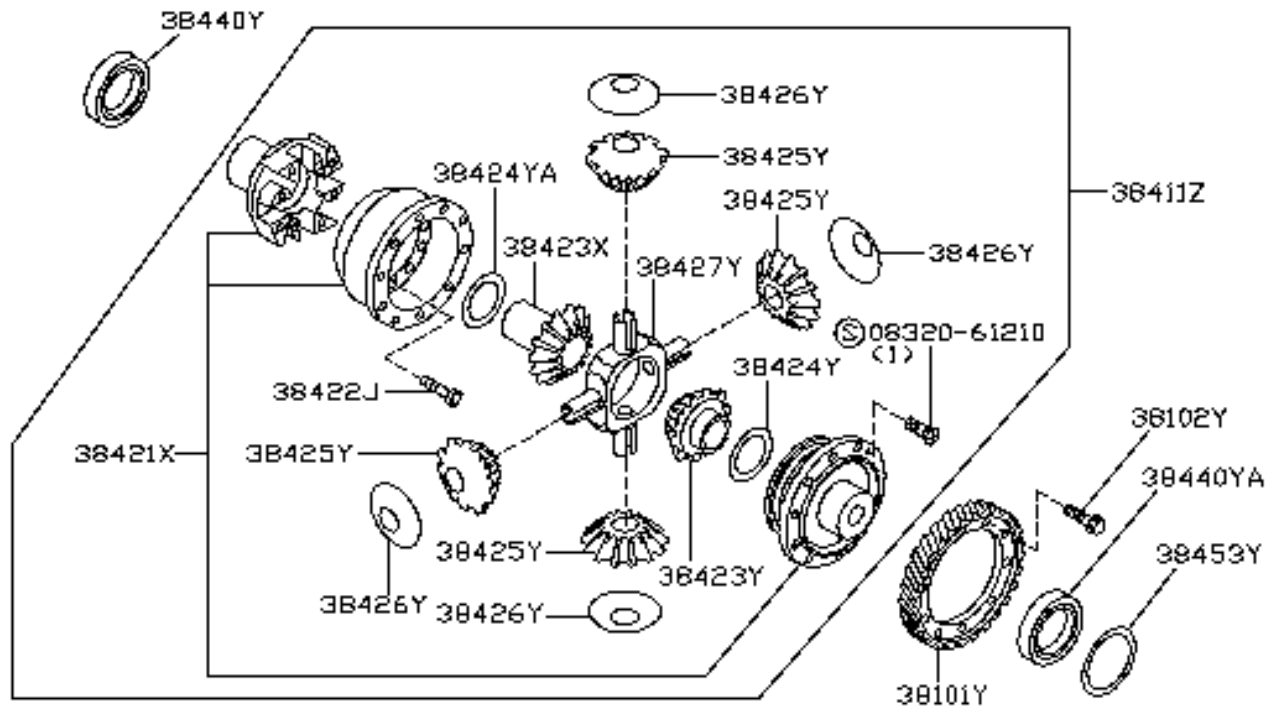
[Back To Power Train](#)

Nissan Pulsar GTI-R - Rear Final Drive



[Back To Power Train](#)

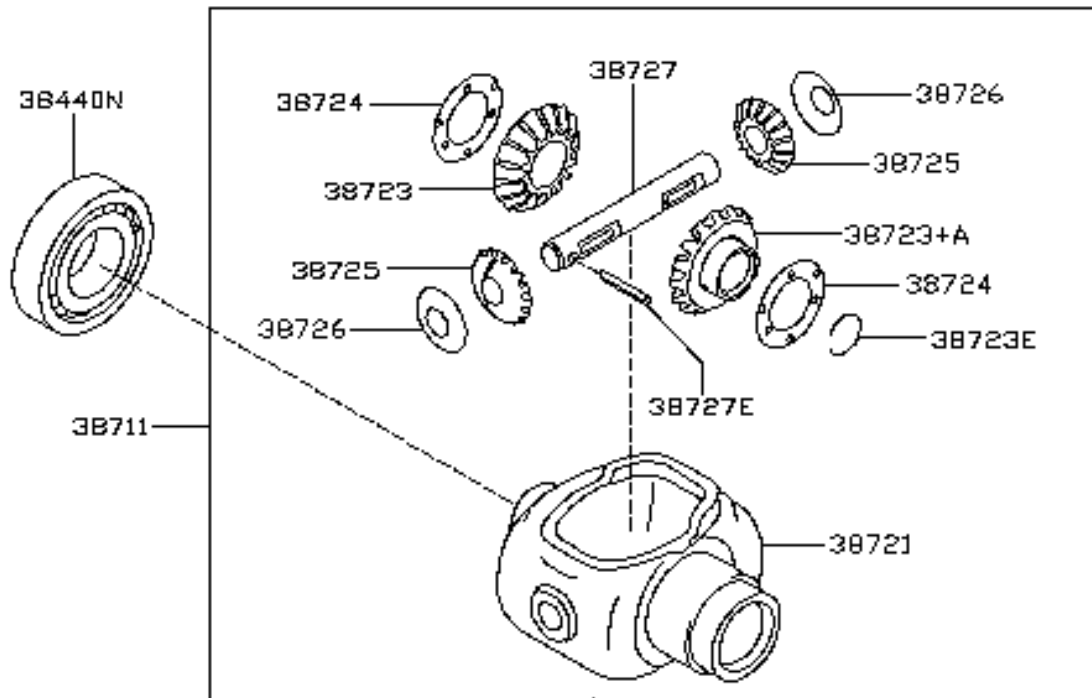
Nissan Pulsar GTI-R - Front Final Drive



A381G 0001

[Back To Power Train](#)

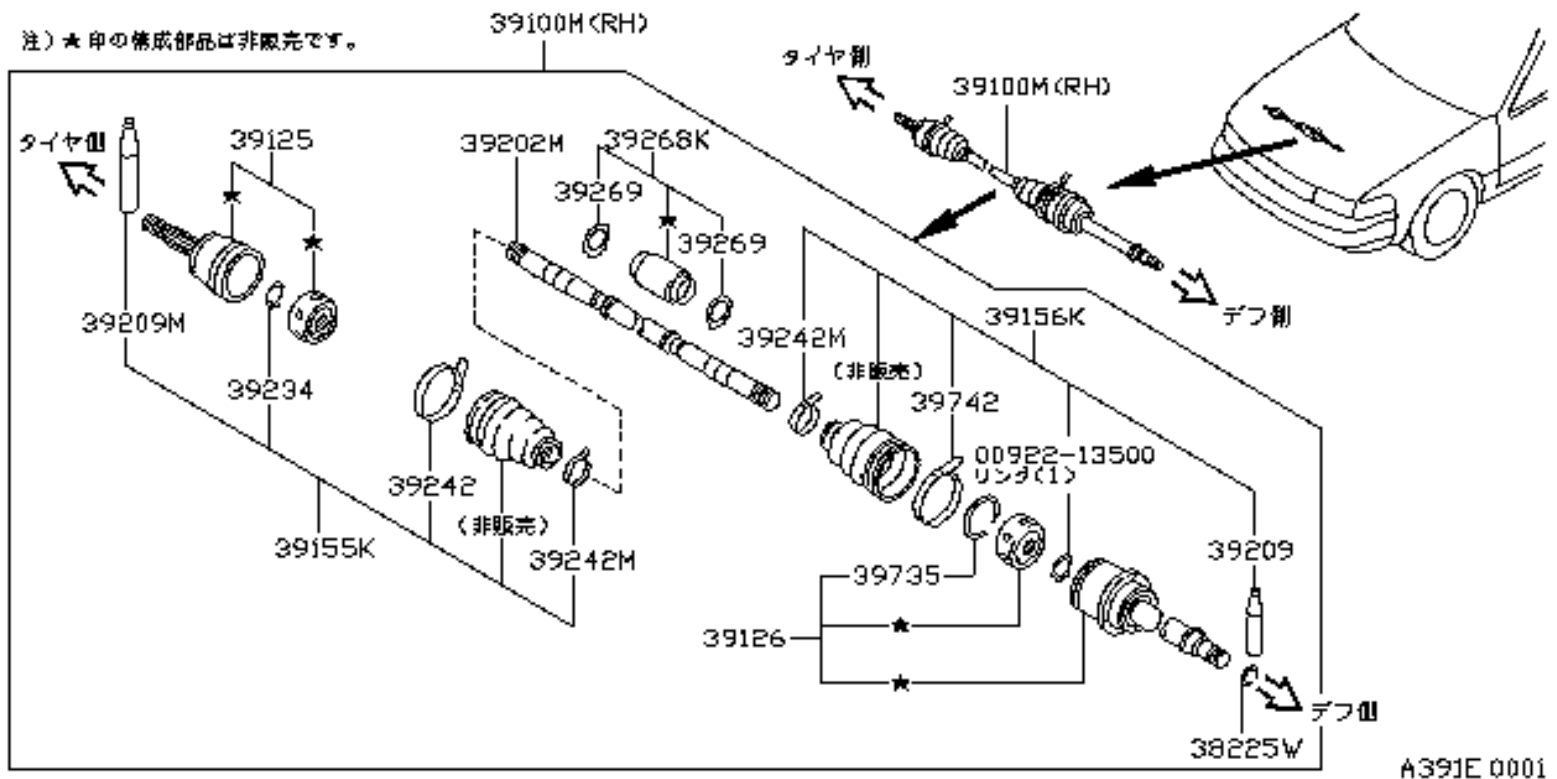
Nissan Pulsar GTI-R - Front Differential



A367*0010

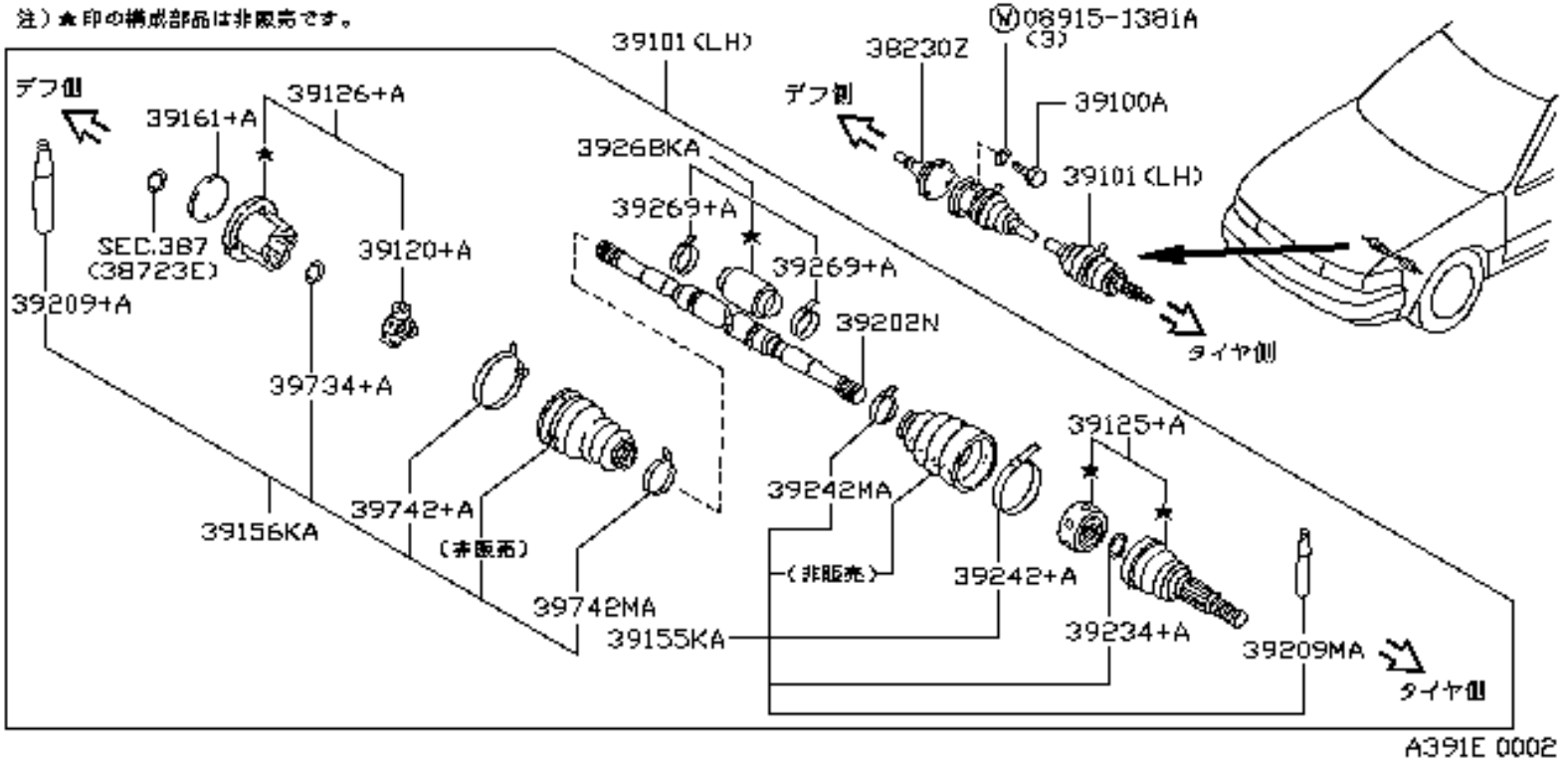
[Back To Power Train](#)

Nissan Pulsar GTI-R - Front Drive Shafts - Page 1



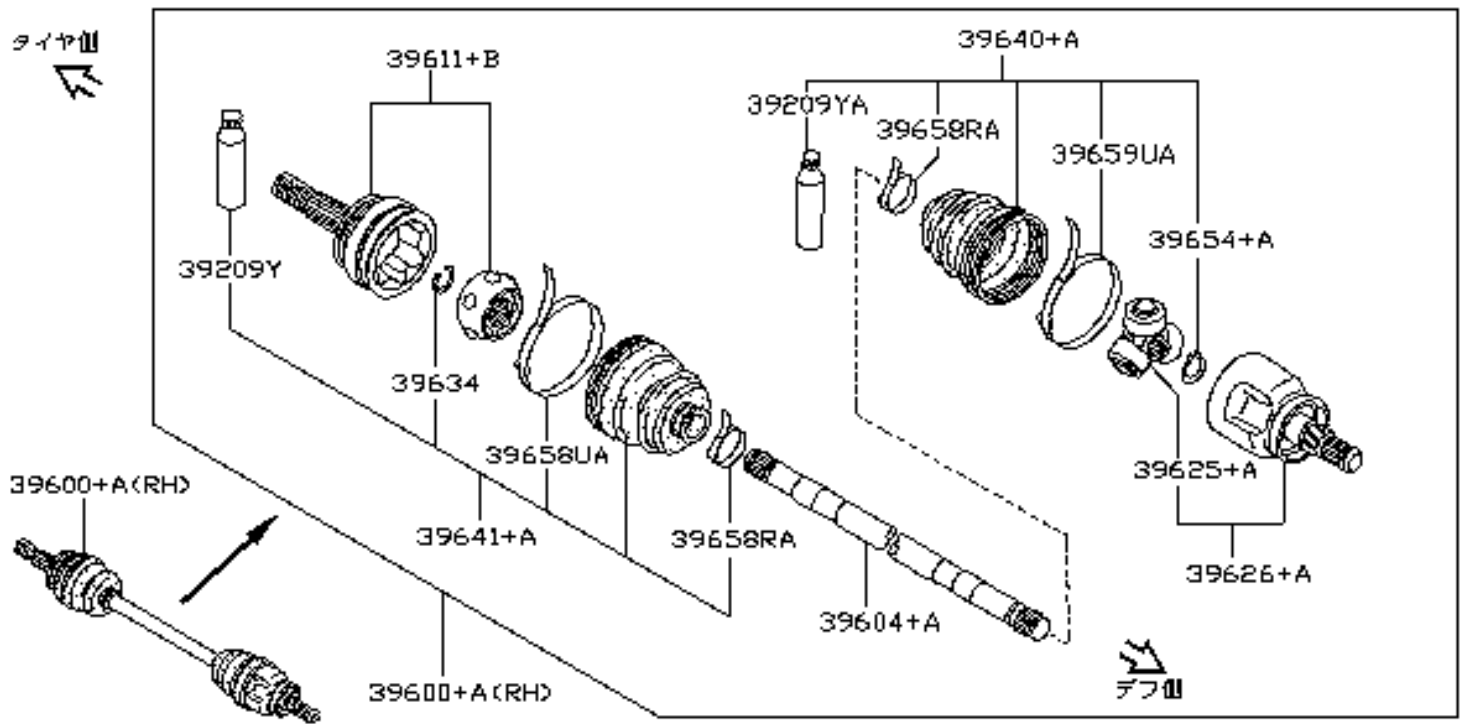
Nissan Pulsar GTI-R - Front Drive Shafts - Page 2

注) ★印の構成部品は非販売です。



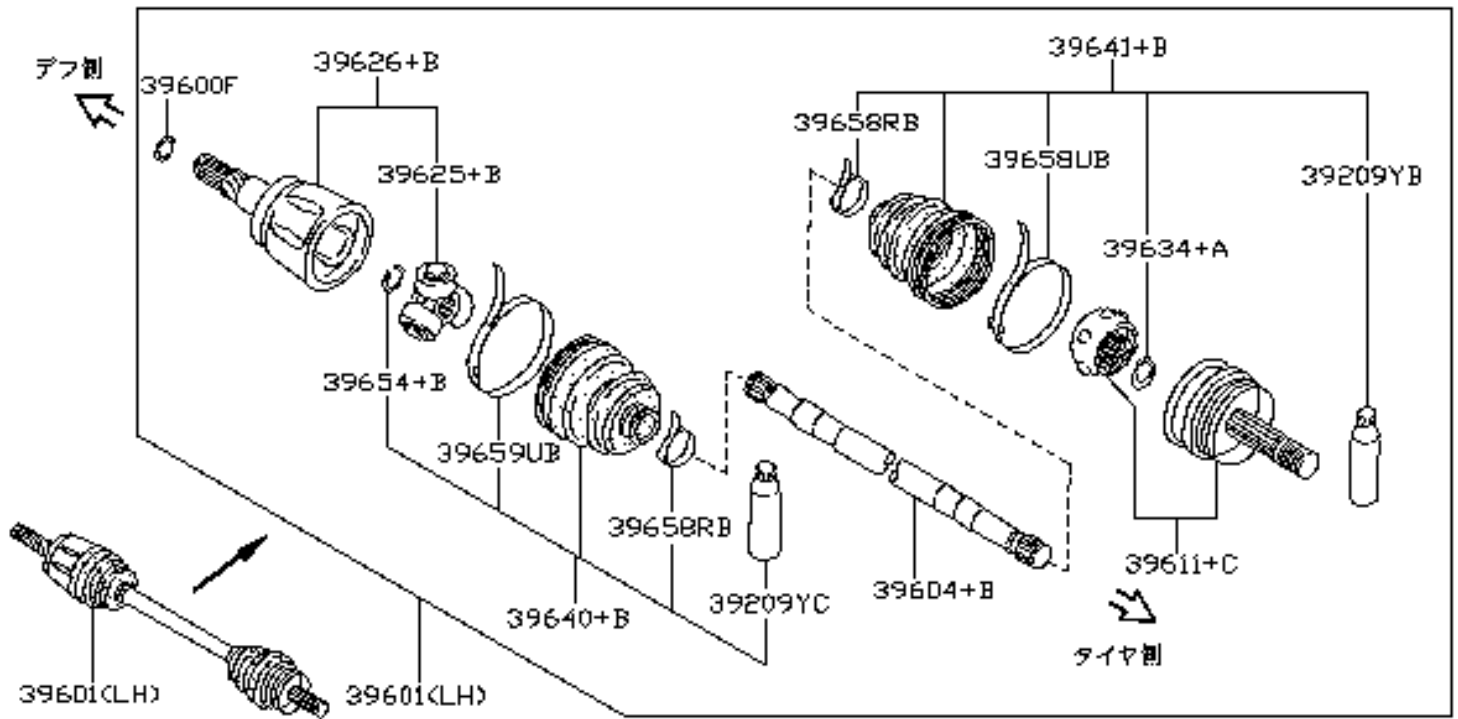
[Back To Power Train](#)

Nissan Pulsar GTI-R - Rear Drive Shafts - Page 1



A396* 0037

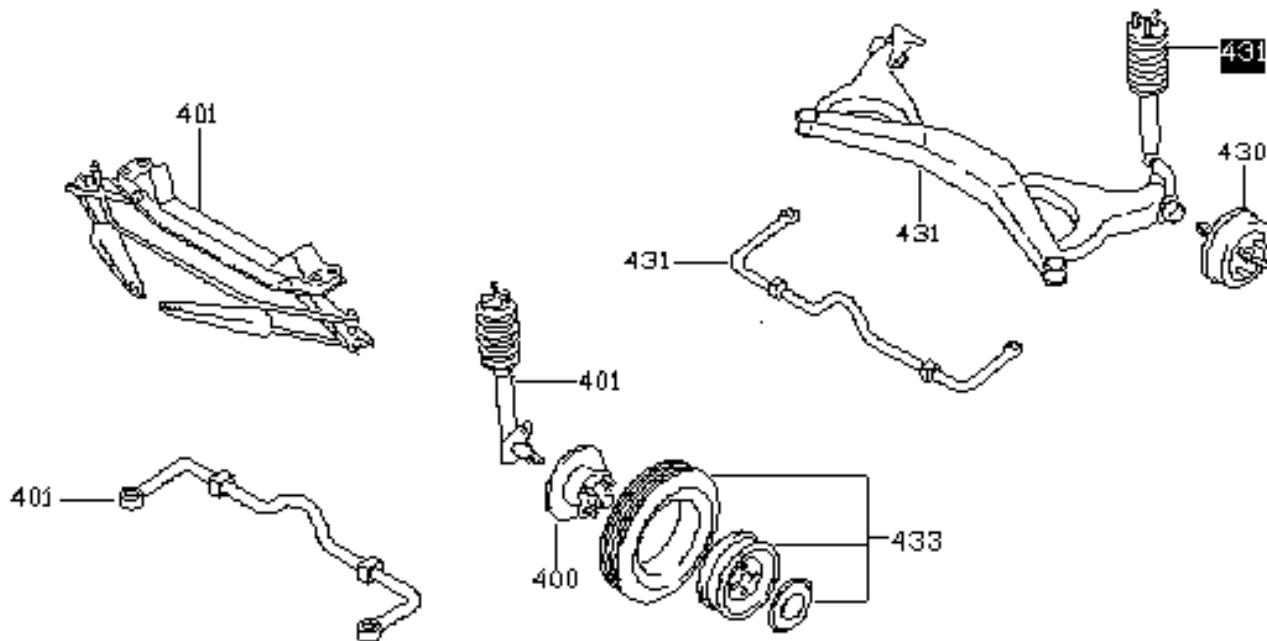
Nissan Pulsar GTI-R - Rear Drive Shafts - Page 2



A396* 0038

[Back To Power Train](#)

Nissan Pulsar GTI-R - Axle & Suspension



AG00ER0N14

Index

[Back To Main Menu](#)

400 - [Front Axle](#)

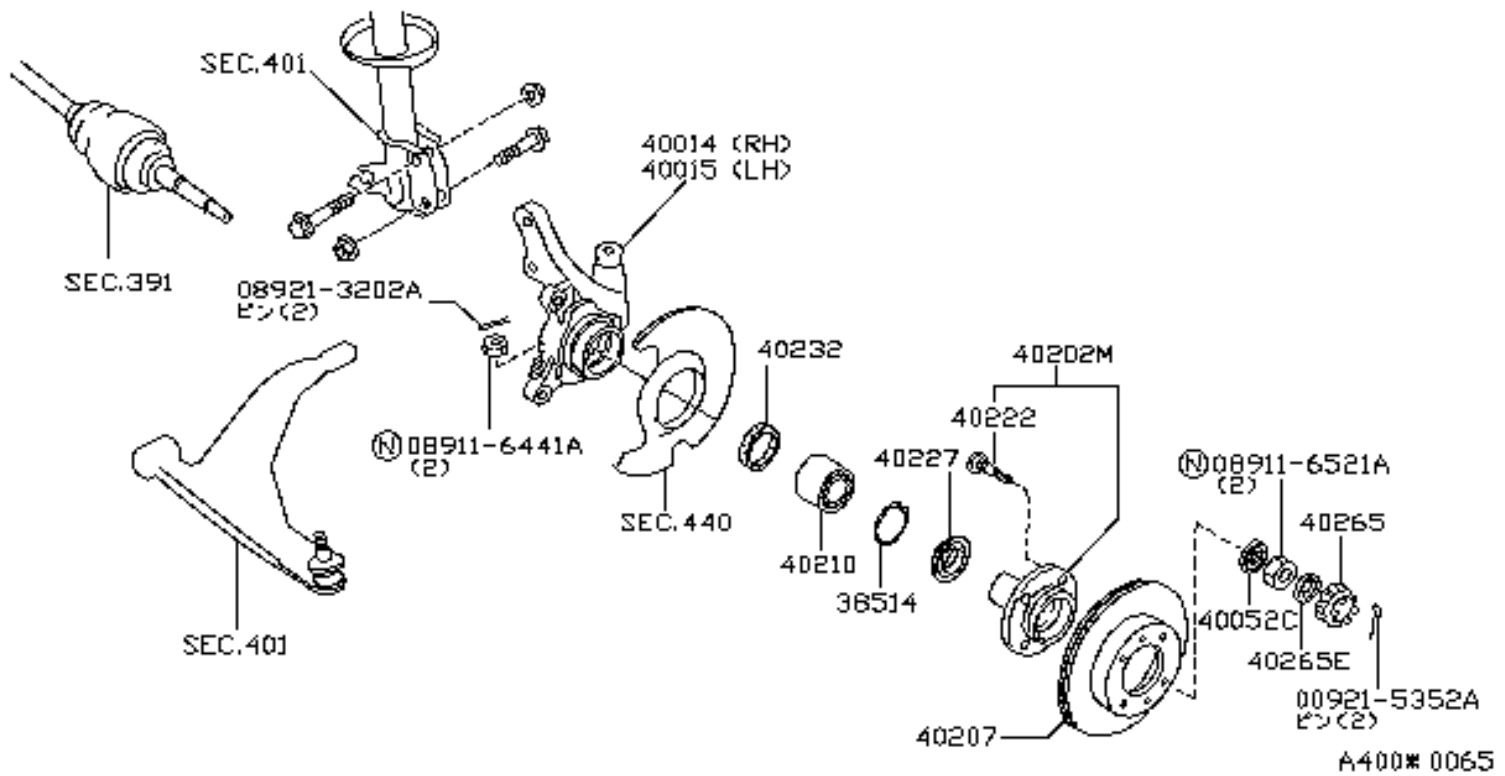
401 - [Front Suspension](#)

430 - [Rear Axle](#)

431 - [Rear Suspension](#)

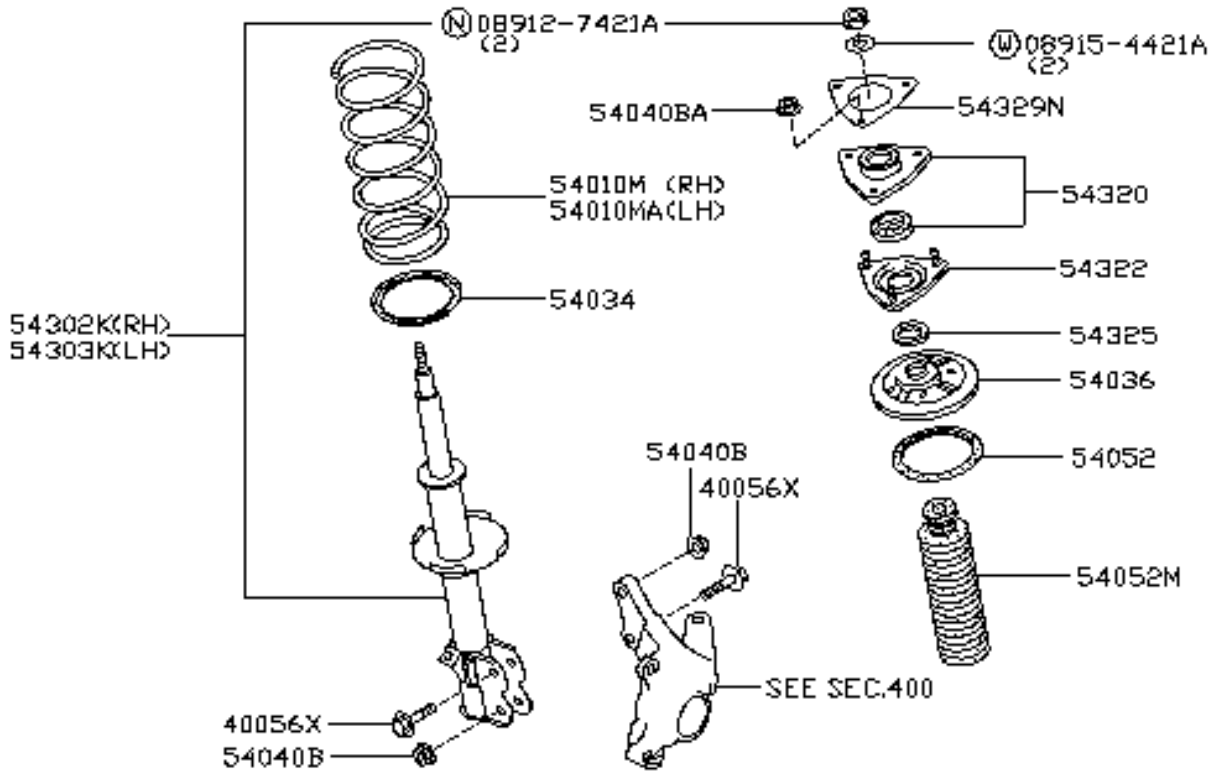
433 - [Wheels](#)

Nissan Pulsar GTI-R - Front Axle



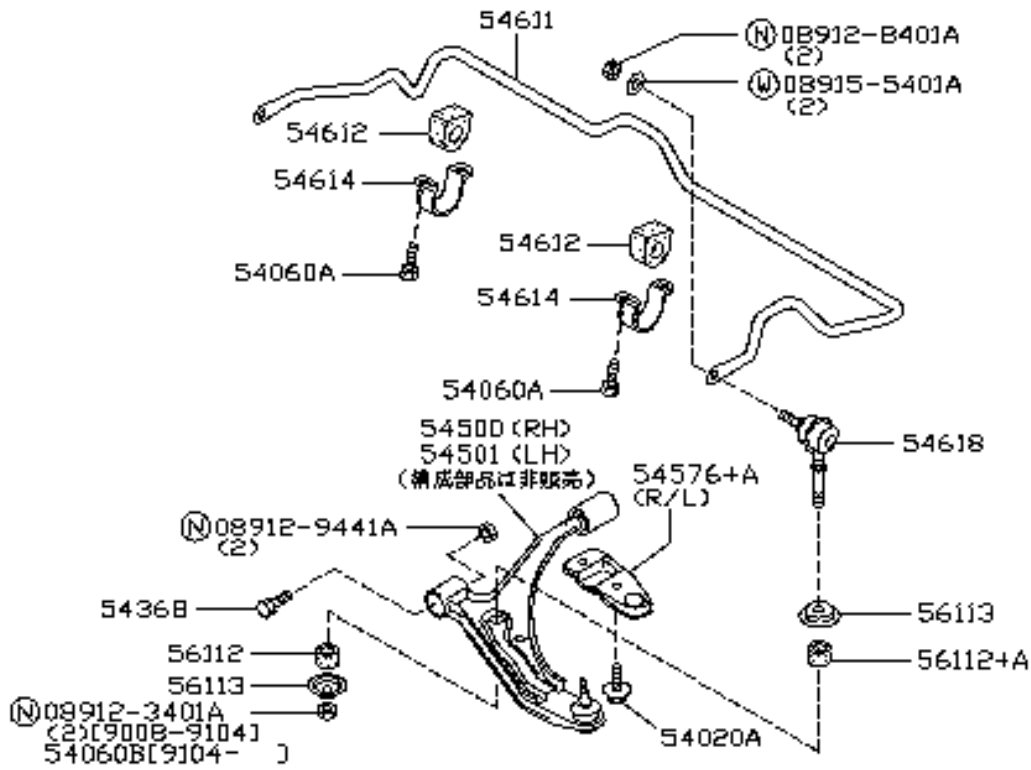
[Back To Axle & Suspension](#)

Nissan Pulsar GTI-R - Front Suspension - Page 1



A401A 0173

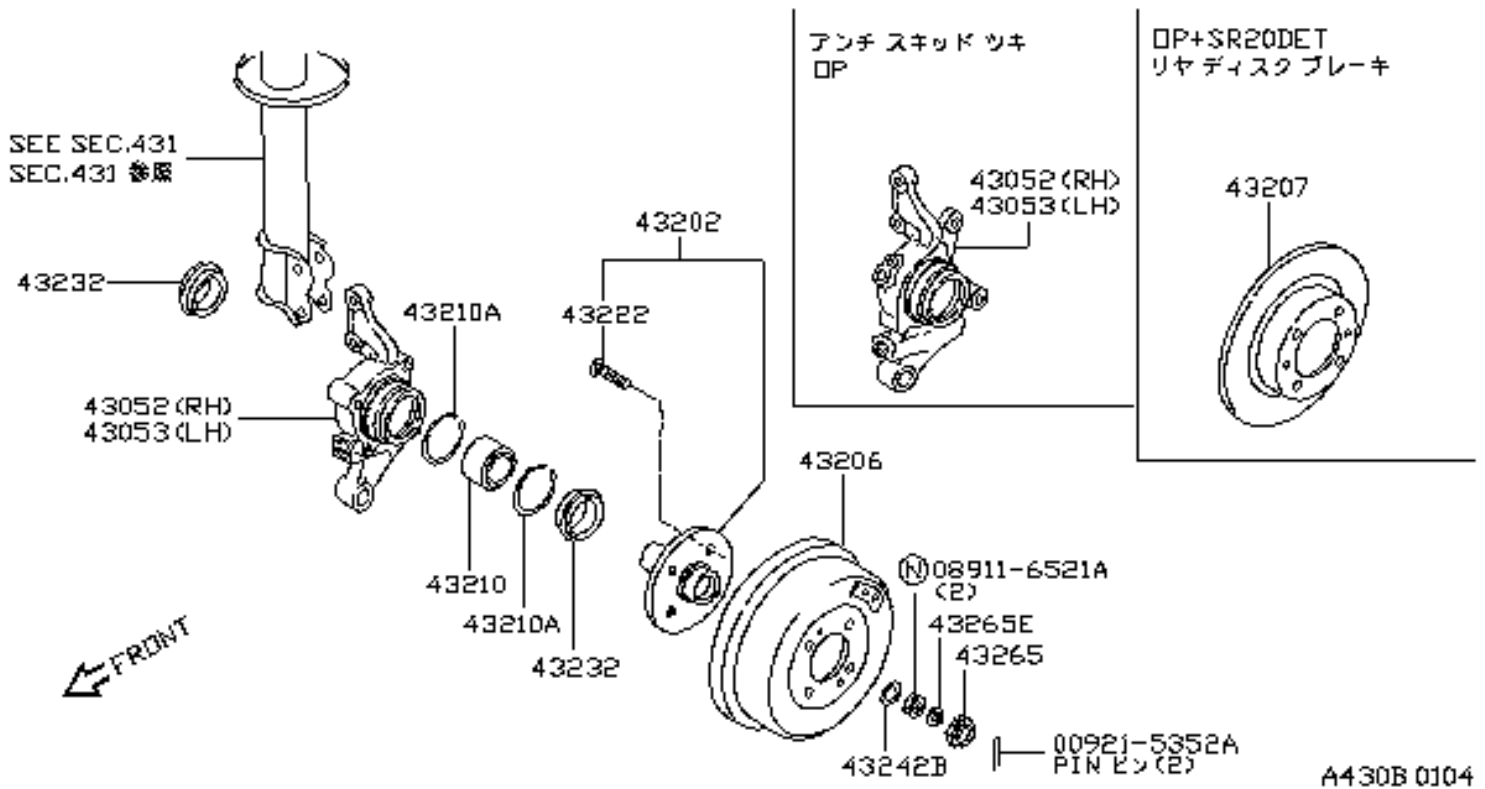
Nissan Pulsar GTI-R - Front Suspension - Page 2



A401B 0095

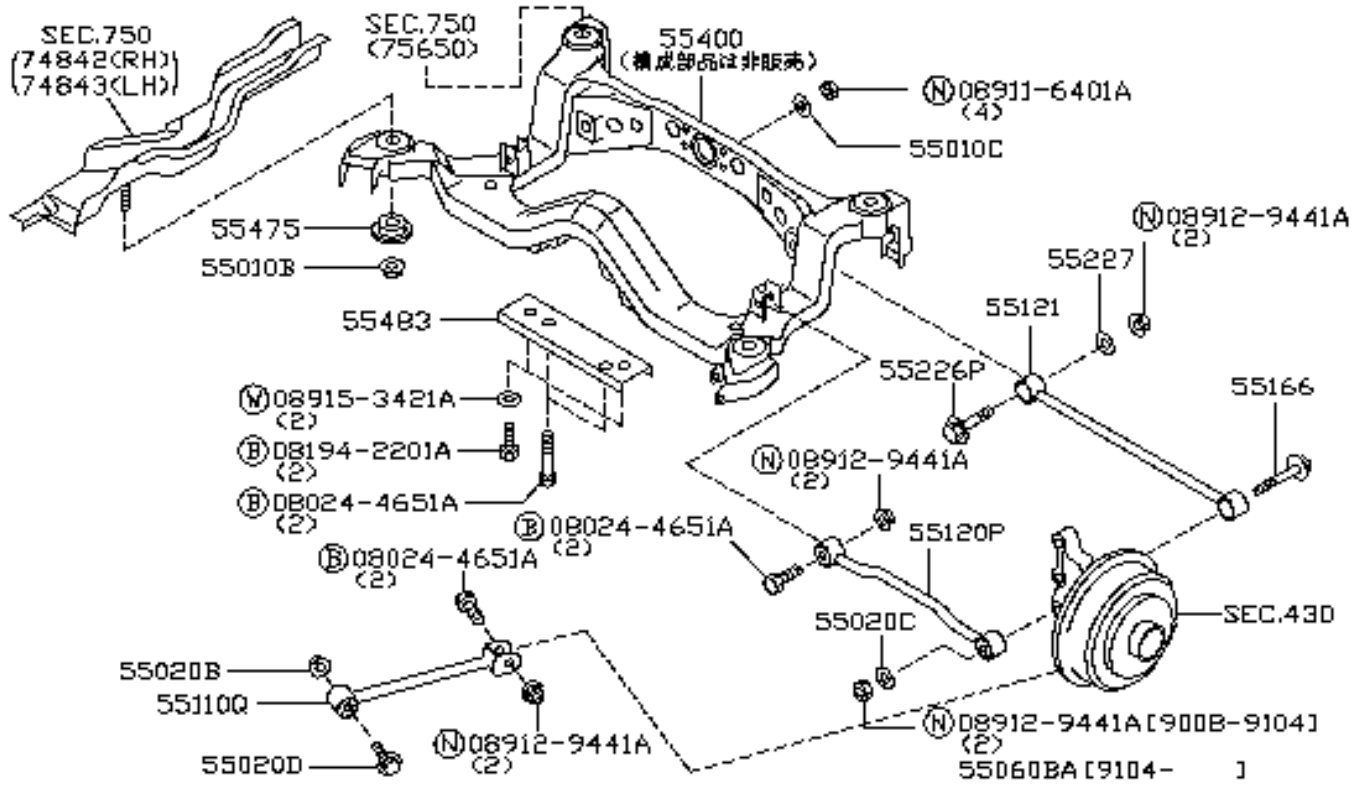
[Back To Axle & Suspension](#)

Nissan Pulsar GTI-R - Rear Axle



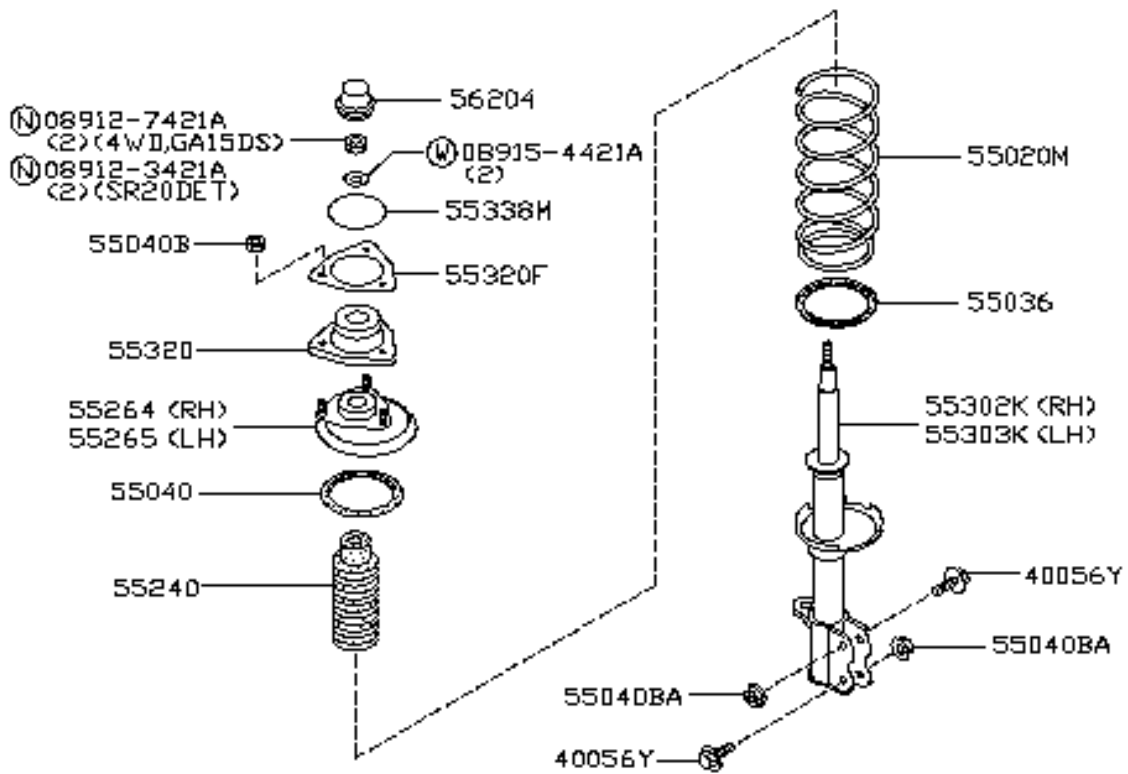
[Back To Axle & Suspension](#)

Nissan Pulsar GTI-R - Rear Suspension - Page 1



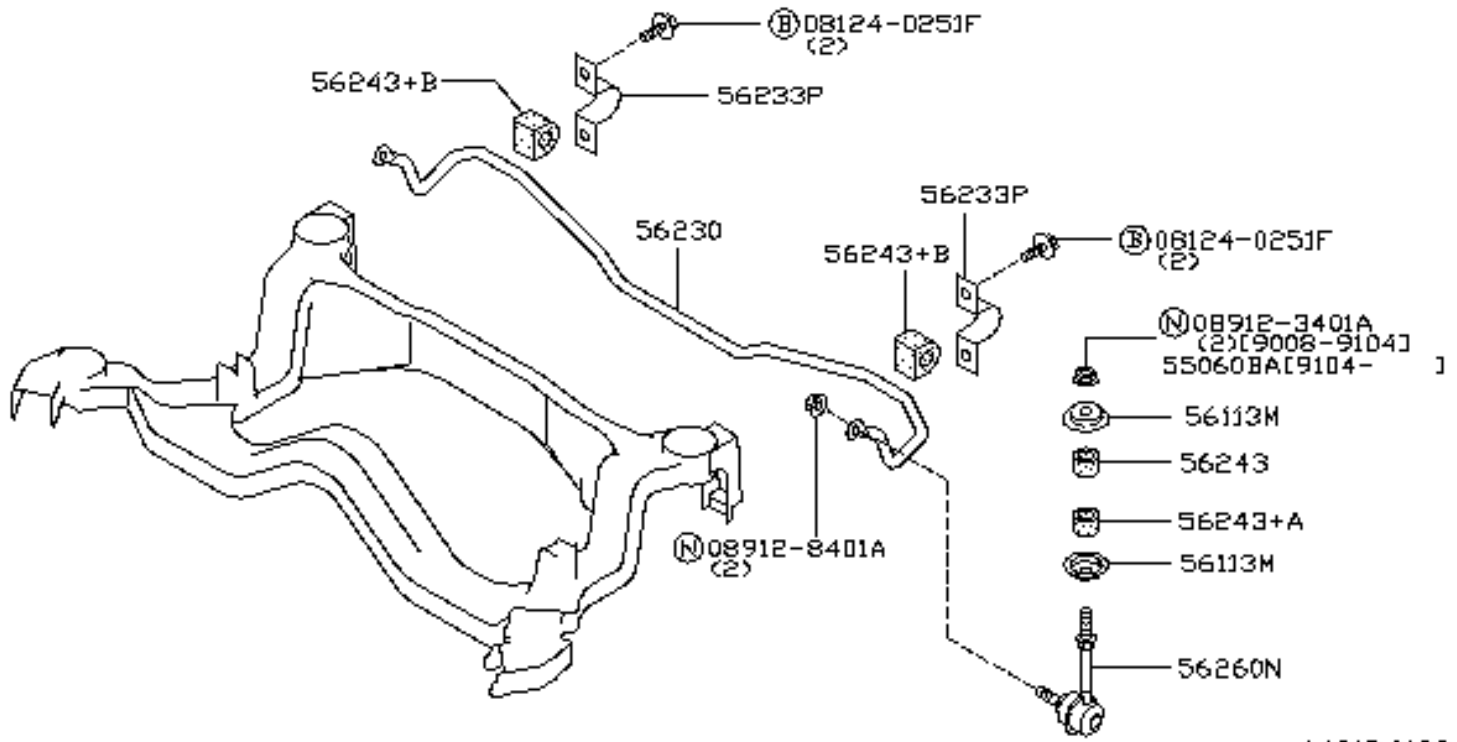
A431B 0104

Nissan Pulsar GTI-R - Rear Suspension - Page 2



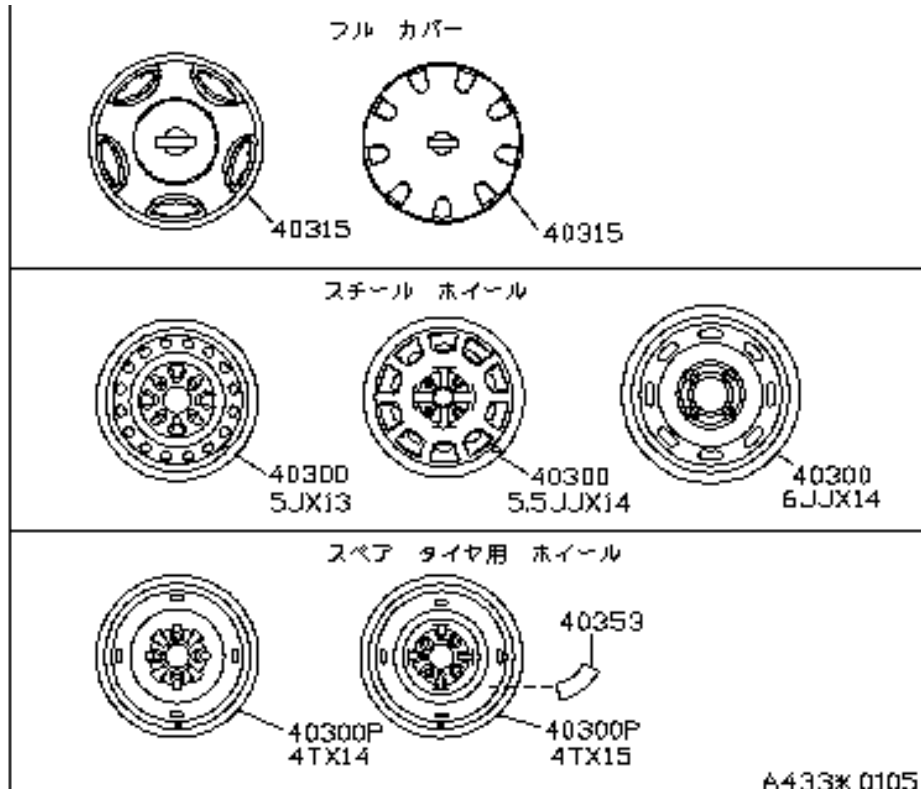
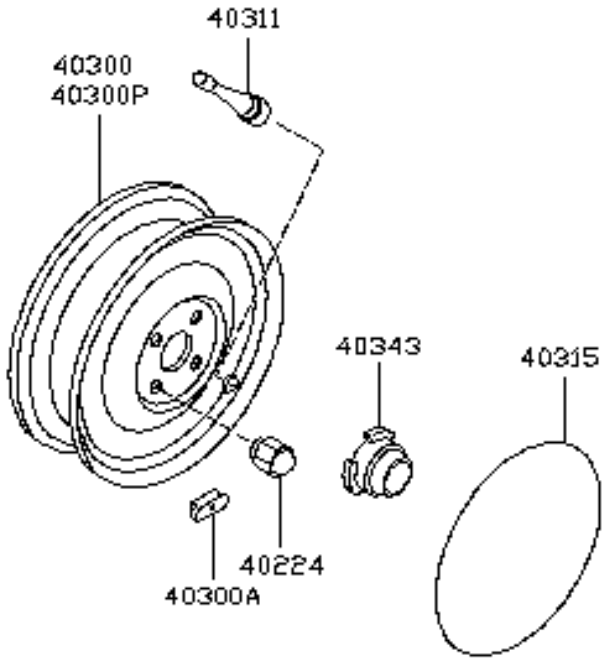
A431B 0098

Nissan Pulsar GTI-R - Rear Suspension - Page 3



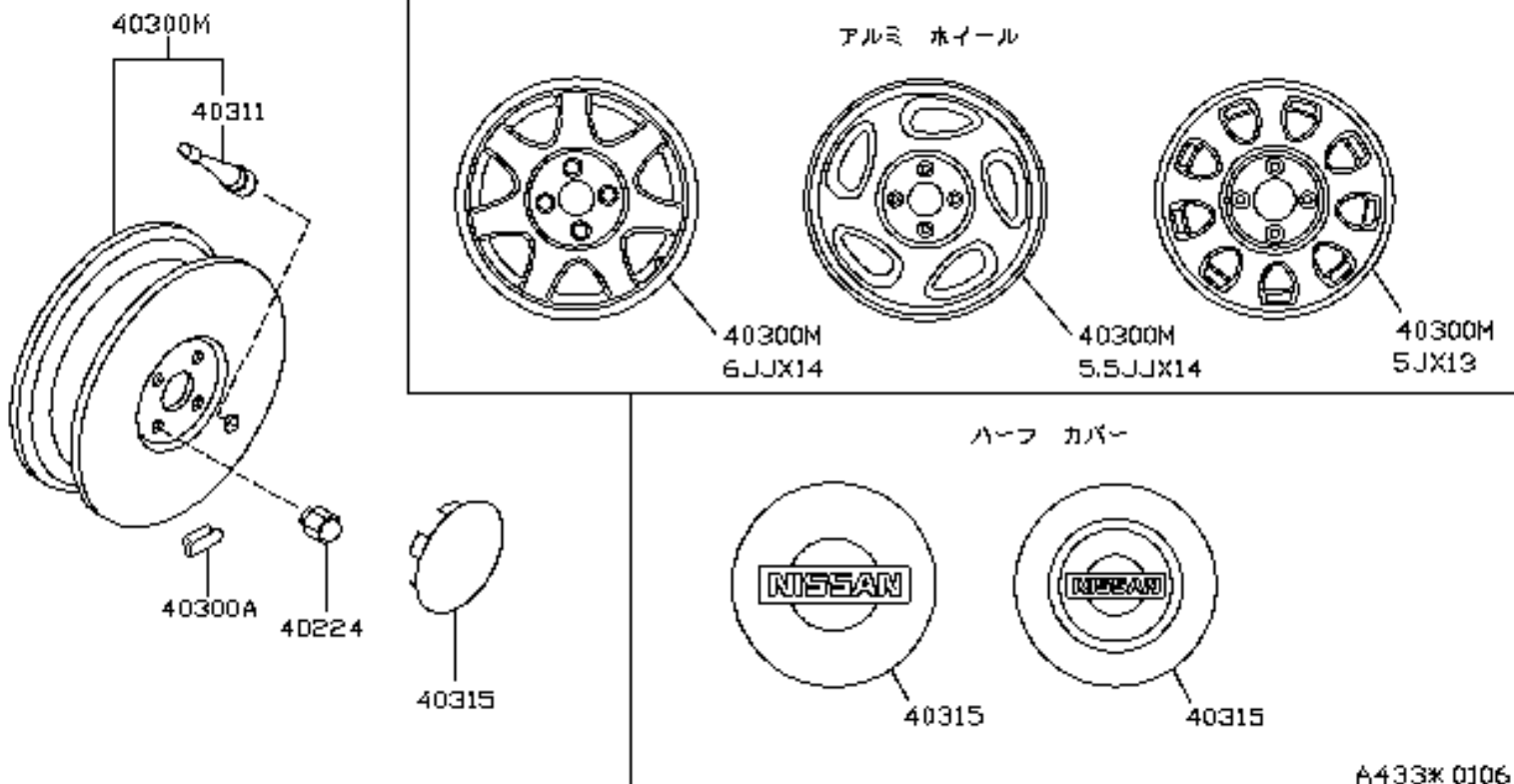
[Back To Axle & Suspension](#)

Nissan Pulsar GTI-R - Wheels - Page 1



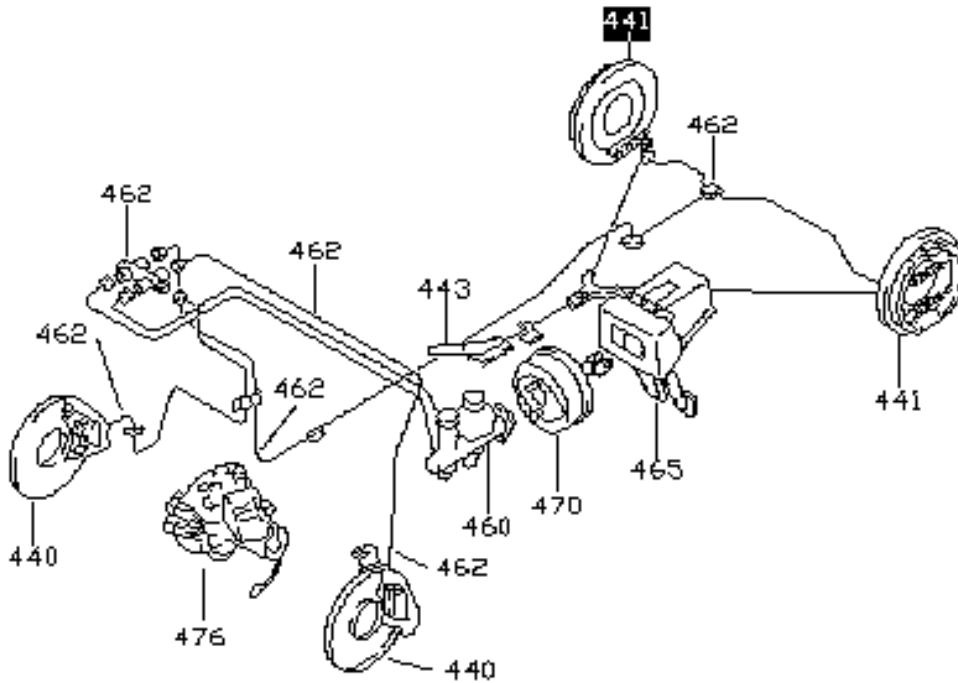
A433* 0105

Nissan Pulsar GTI-R - Wheels - Page 2



[Back To Axle & Suspension](#)

Nissan Pulsar GTI-R - Brakes



AH00ER0N14

Index

[Back To Main Menu](#)

440 - [Front Brake](#)

441 - [Rear Brakes](#)

443 - [Hand Brake](#)

460 - [Brake Master Cylinder](#)

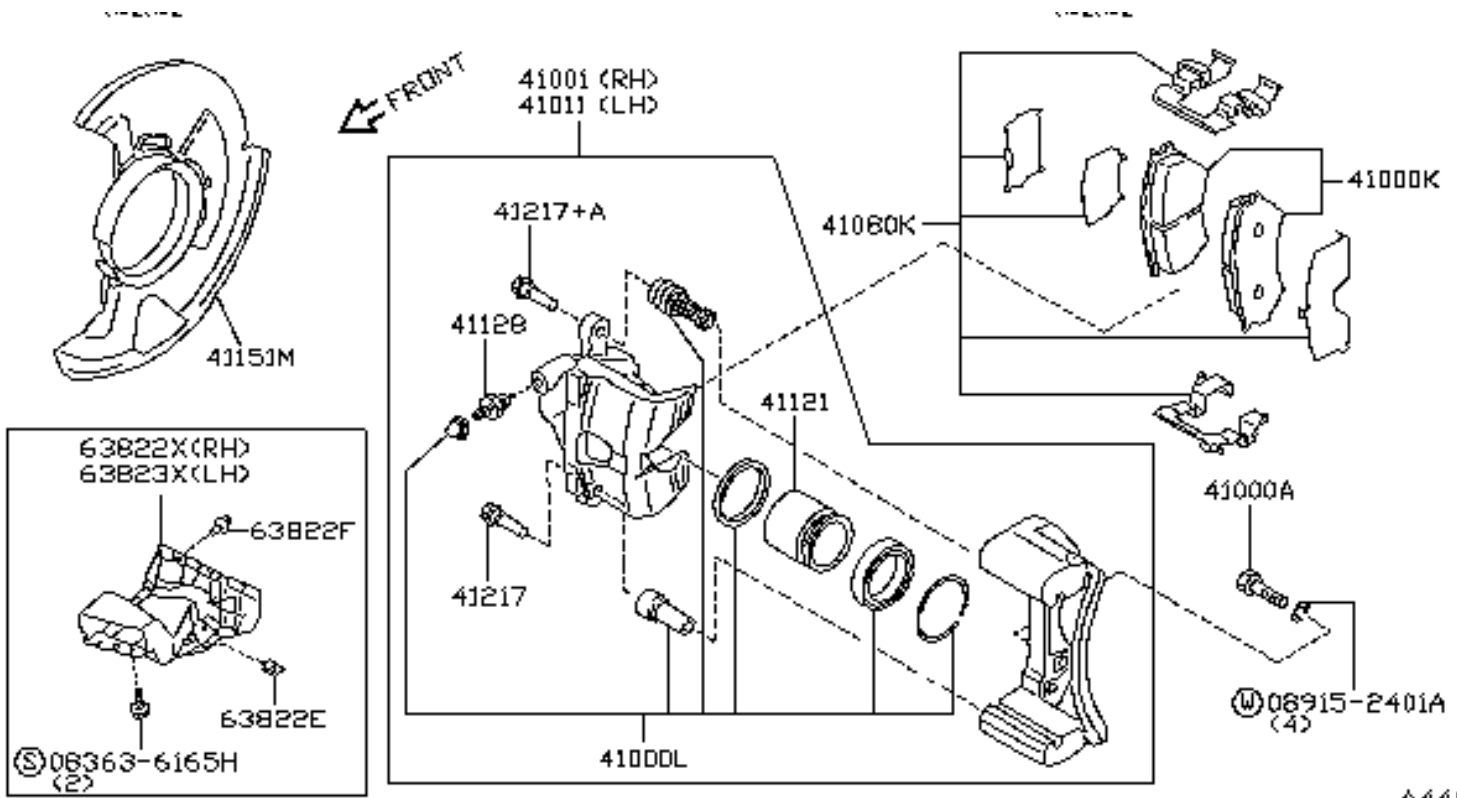
462 - [Brake Piping](#)

465 - [Brake & Clutch Pedal](#)

470 - [Brake Servo](#)

476 - [A.B.S Control](#)

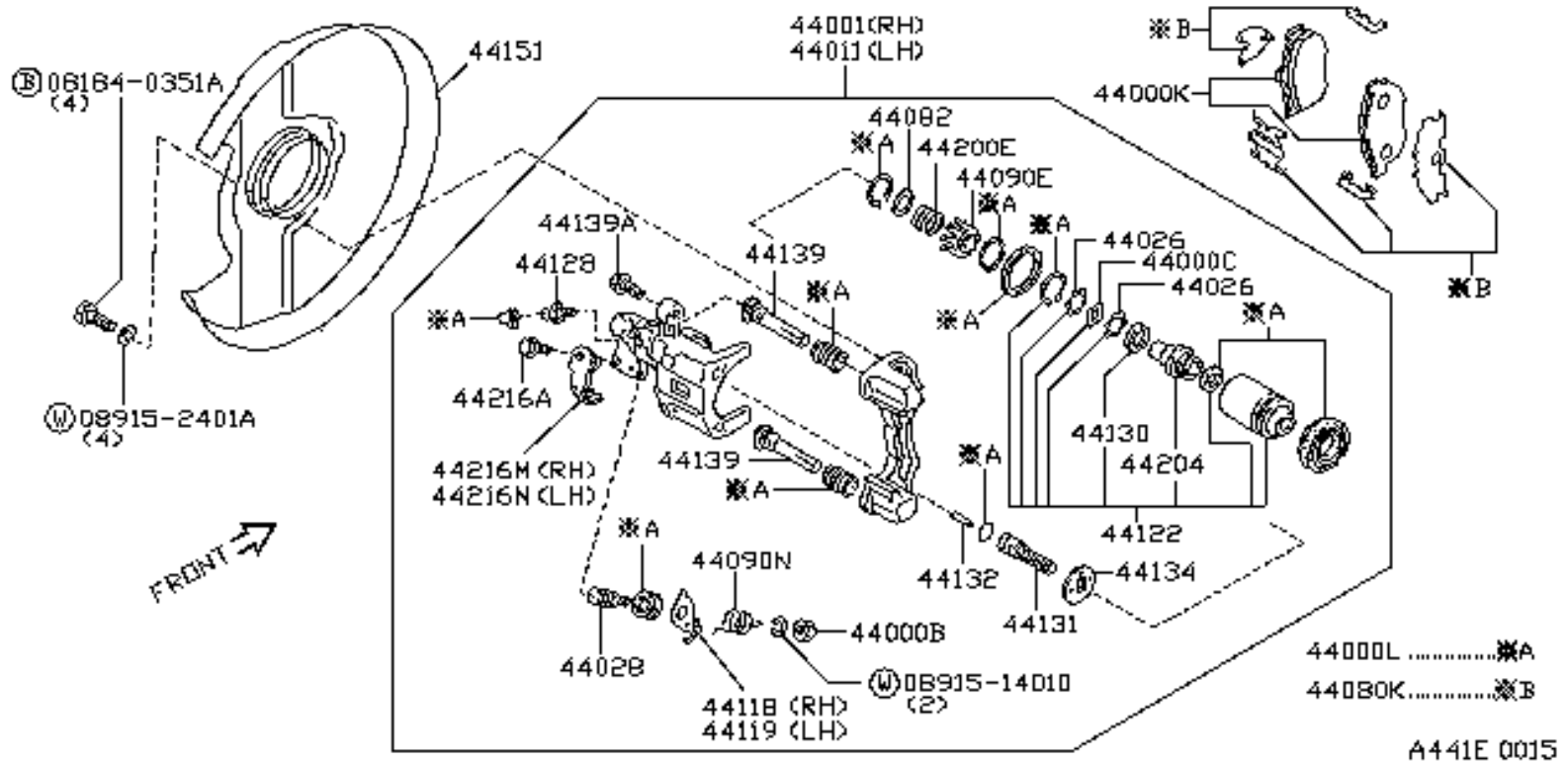
Nissan Pulsar GTI-R - Front Brakes



A440D 0023

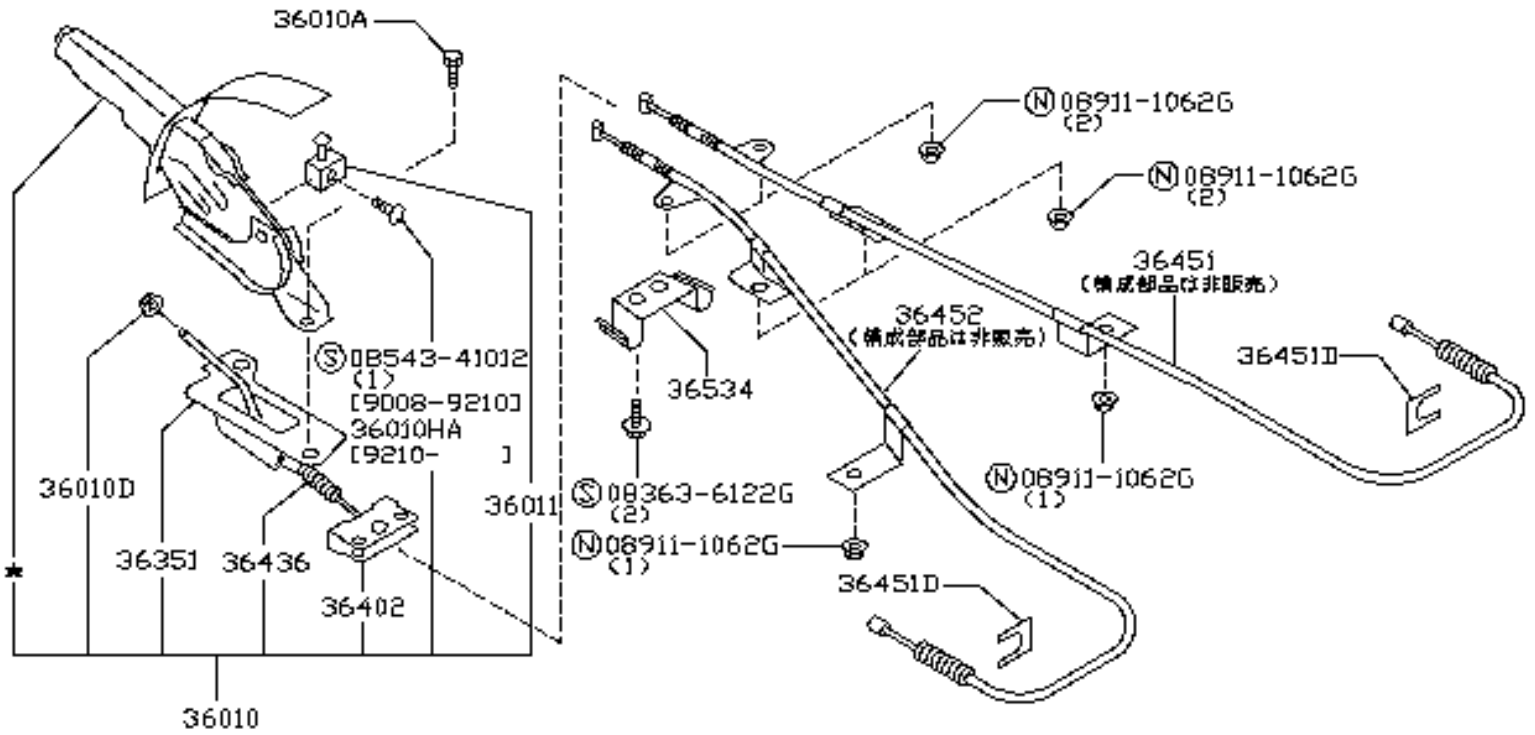
[Back To Brakes](#)

Nissan Pulsar GTI-R - Rear Brakes



[Back To Brakes](#)

Nissan Pulsar GTI-R - Hand Brake

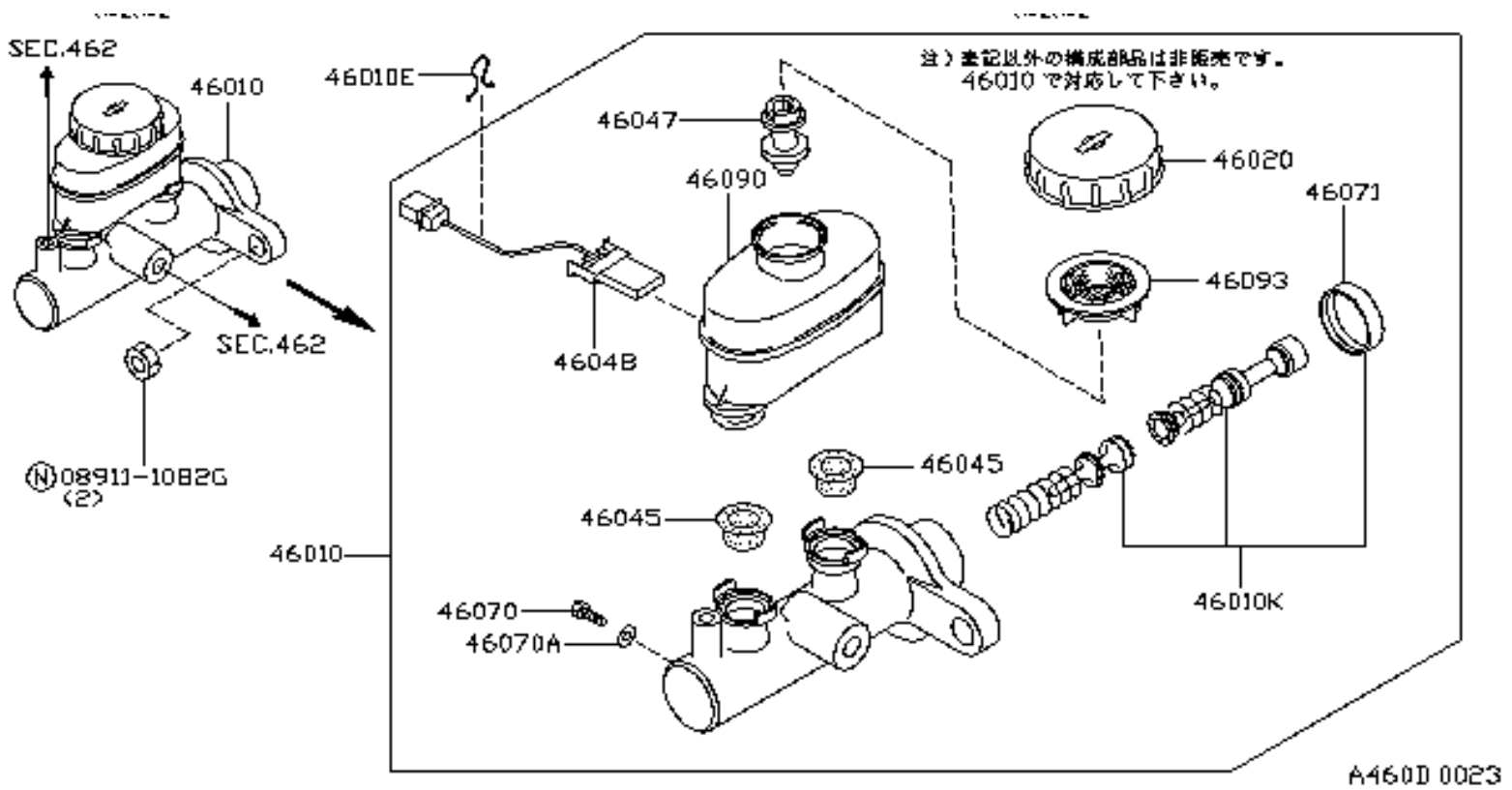


注) ★印の構成部品は非販売です。

A443D 0005

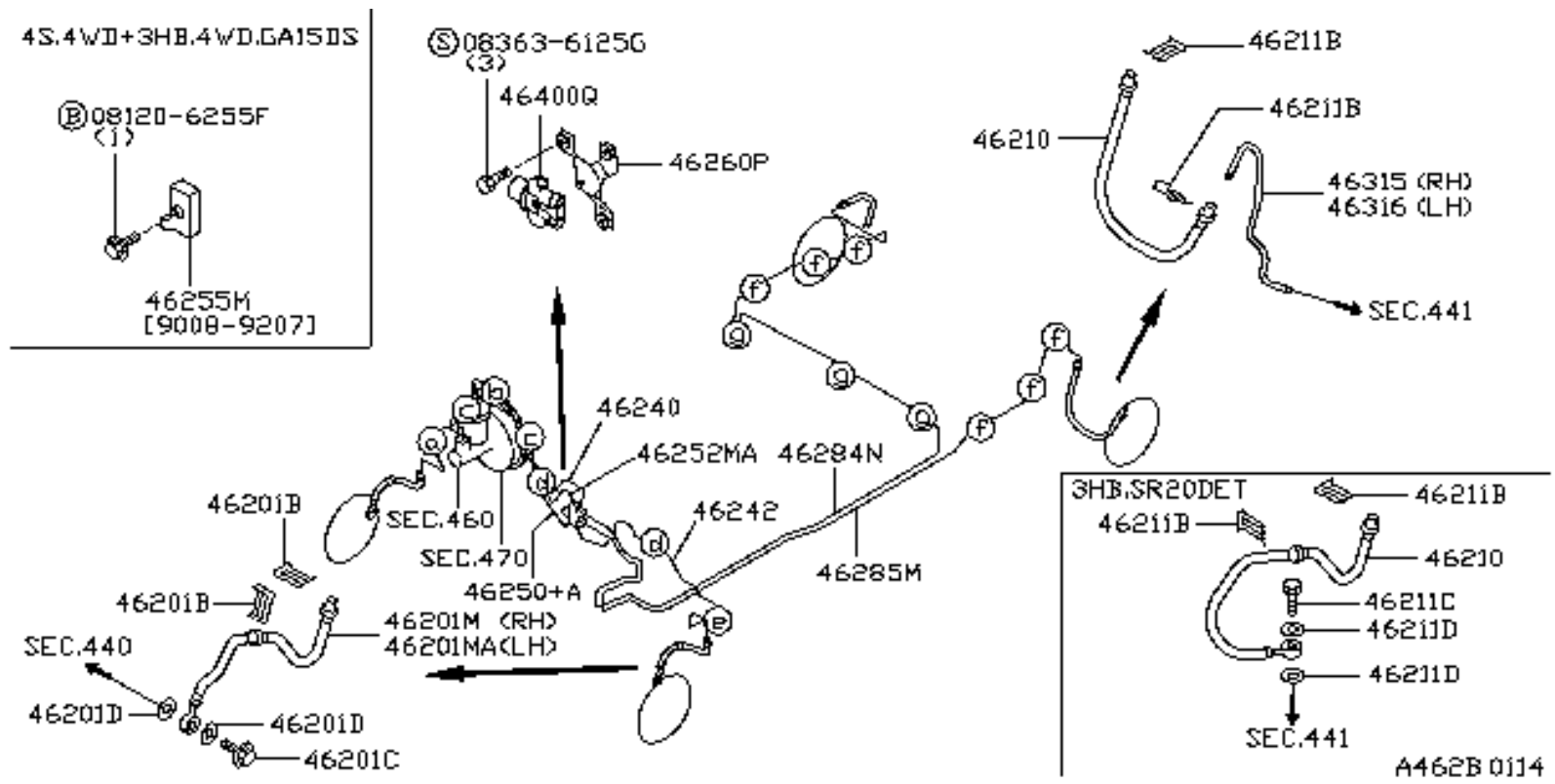
[Back To Brakes](#)

Nissan Pulsar GTI-R - Brake Master Cylinder



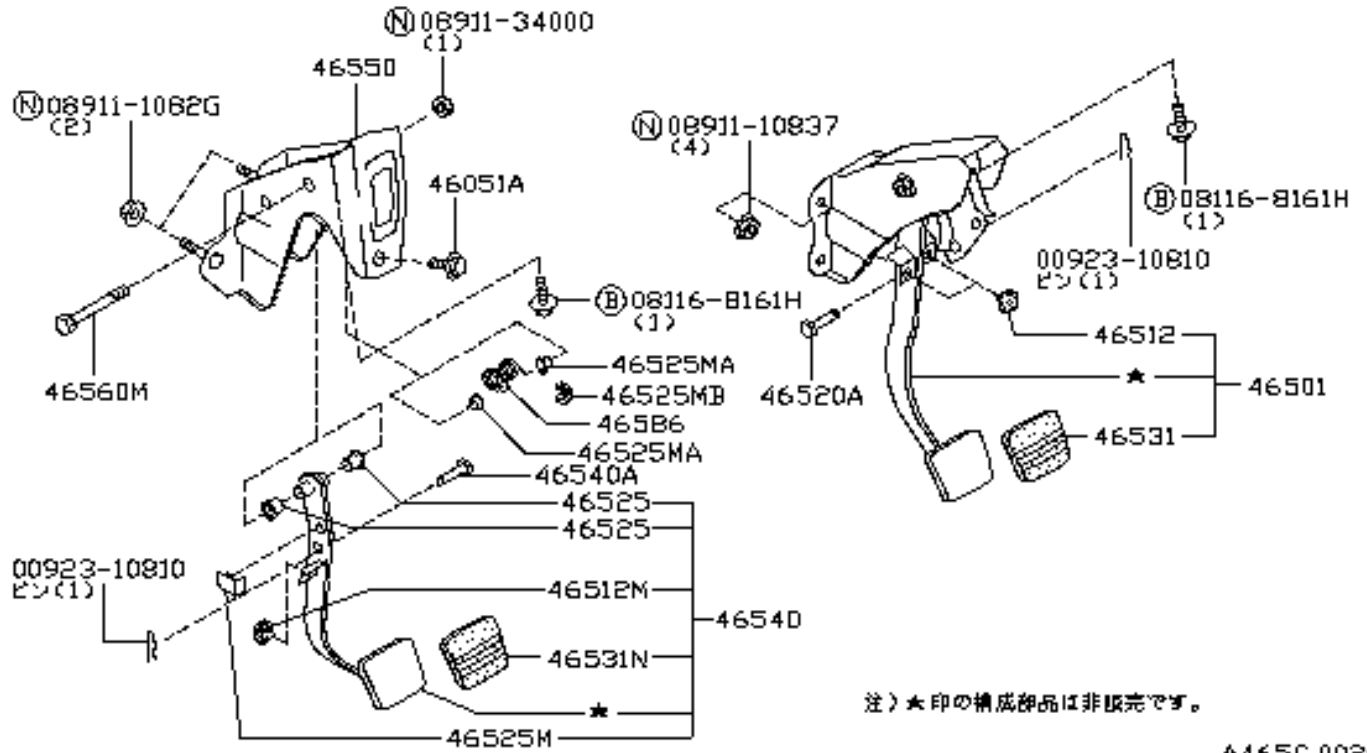
[Back To Brakes](#)

Nissan Pulsar GTI-R - Brake Piping & Control



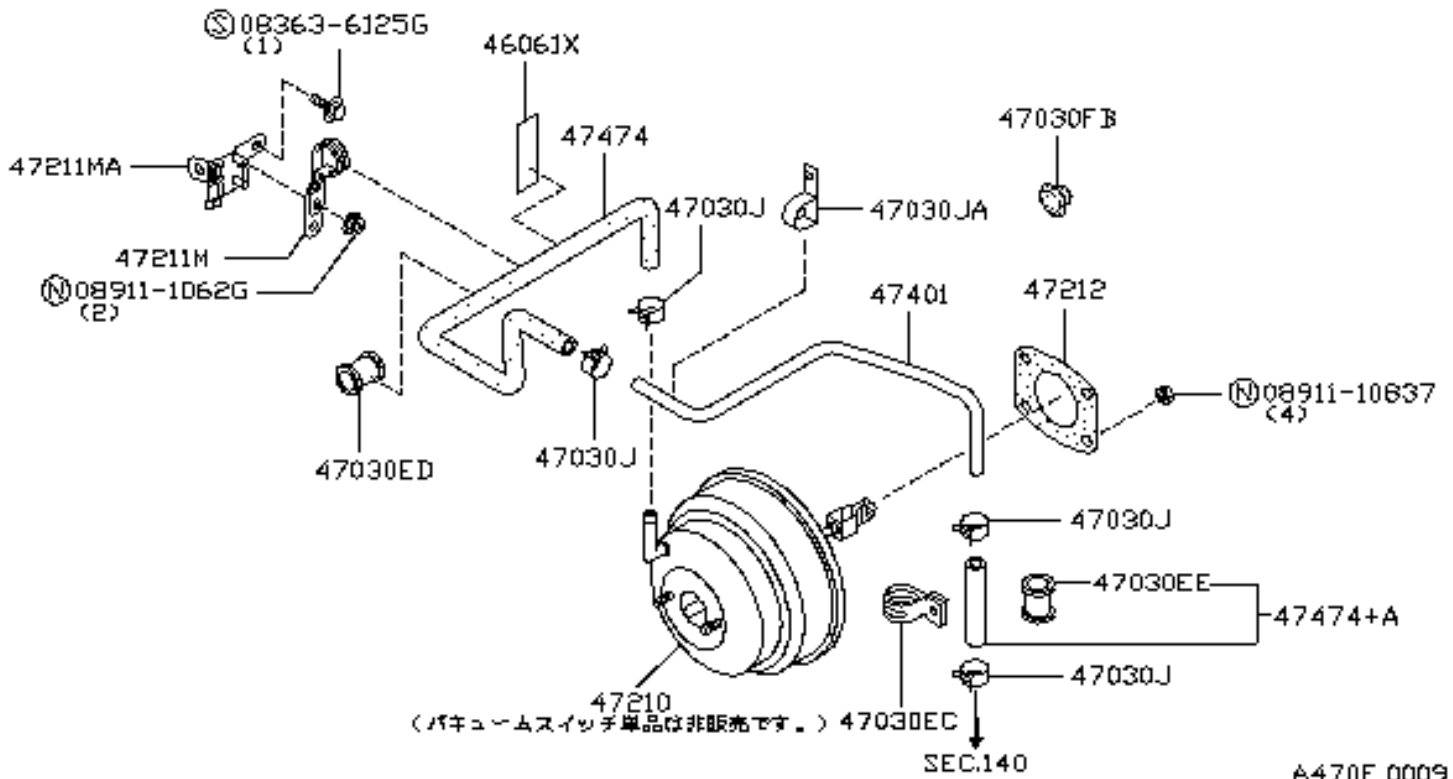
[Back To Brakes](#)

Nissan Pulsar GTI-R - Brake & Clutch Pedal



[Back To Brakes](#)

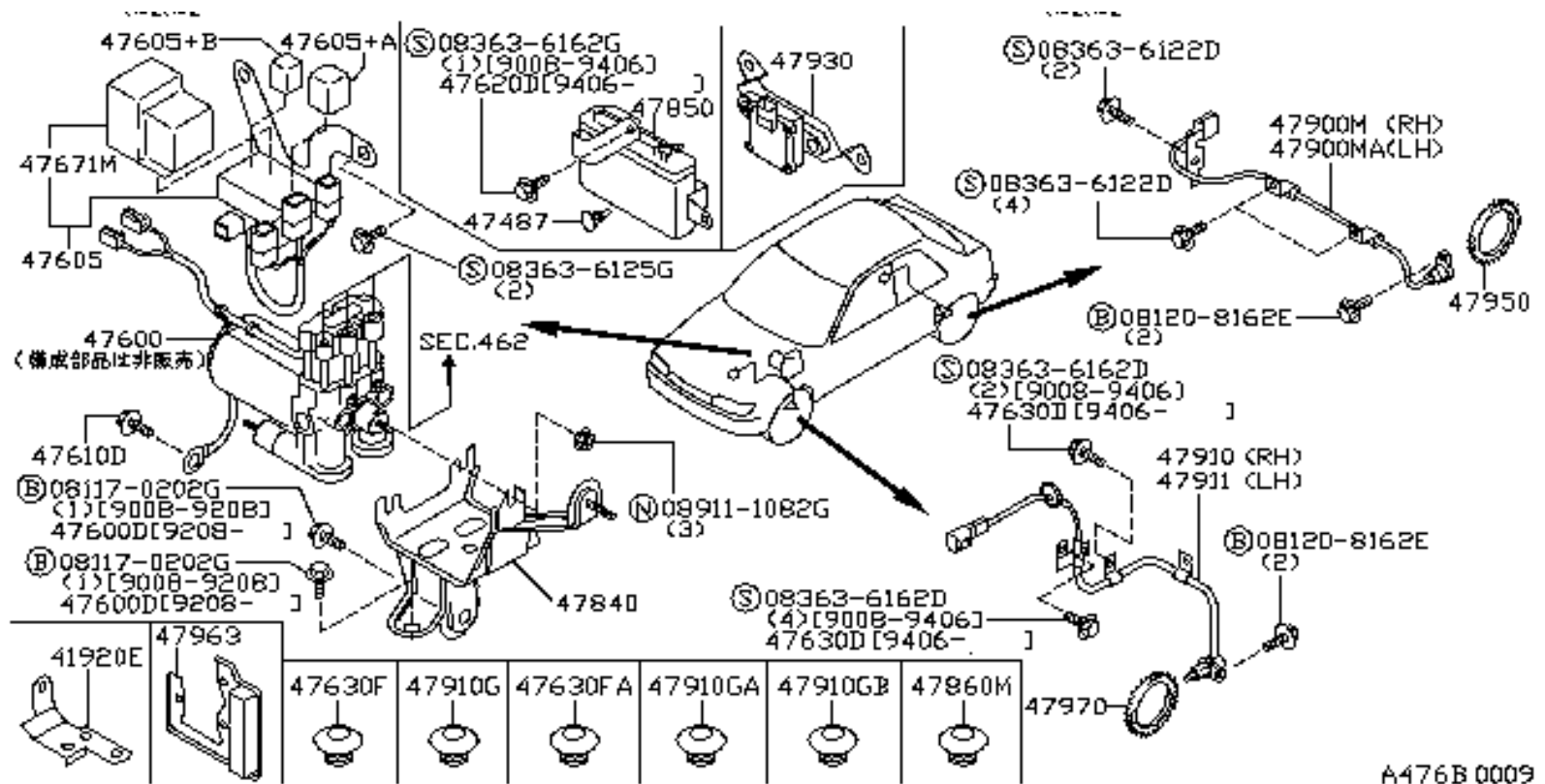
Nissan Pulsar GTI-R - Brake Servo



A470F 0009

[Back To Brakes](#)

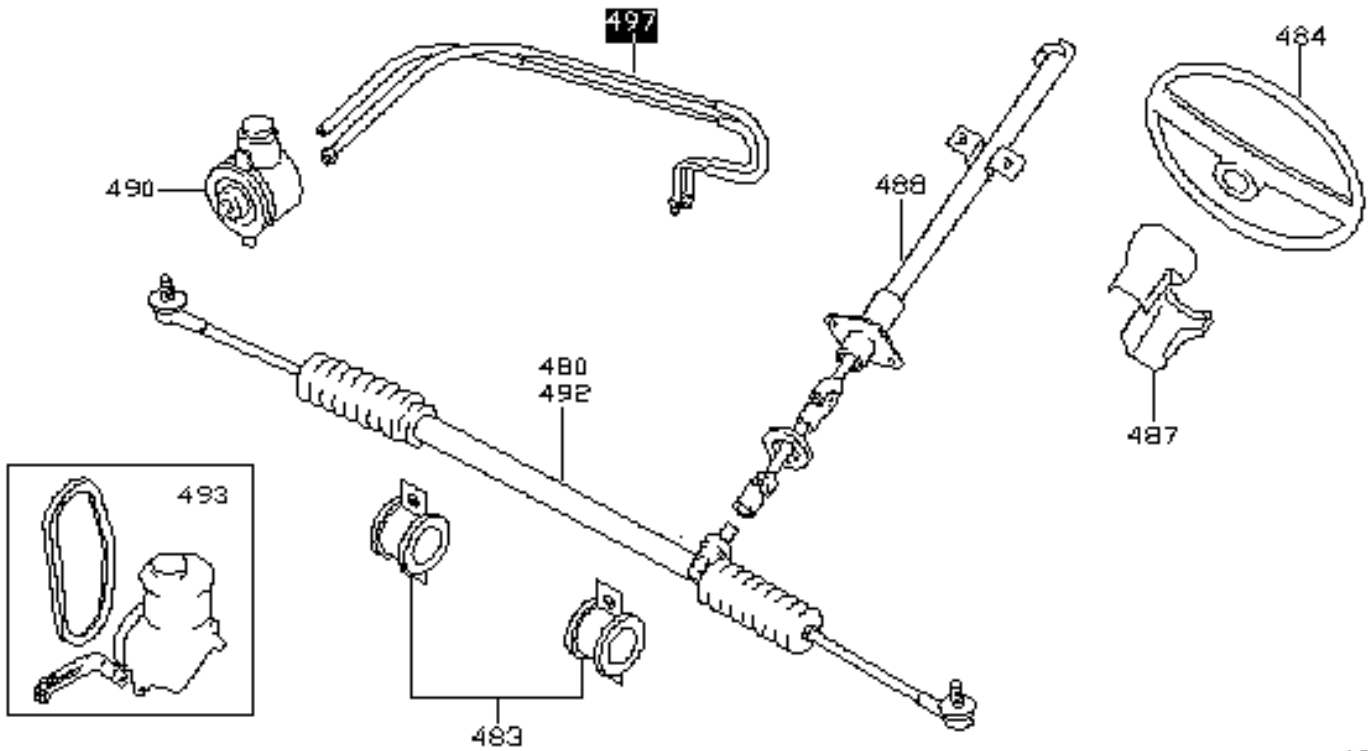
Nissan Pulsar GTI-R - A.B.S Control



A476B 0009

[Back To Brakes](#)

Nissan Pulsar GTI-R - Steering



AI00ER0N14

Index

[Back To Main Menu](#)

483 - [Steering Gear Mountings](#)

484 - [Steering Wheel](#)

487 - [Steering Column Cover](#)

488 - [Steering Column](#)

490 - [Power Steering Pump](#)

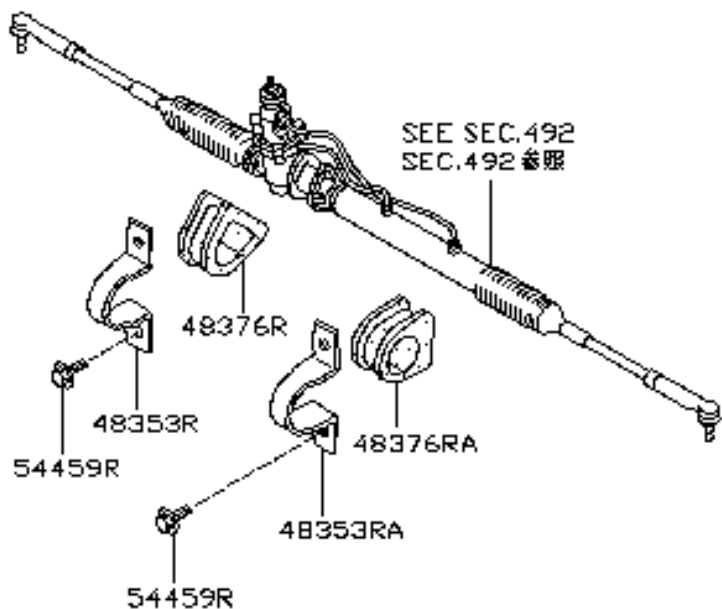
492 - [Power Steering Rack](#)

493 - [Power Steering Pump Fixings](#)

497 - [Power Steering Piping](#)

Nissan Pulsar GTI-R - Steering Gear Mountings

4WD

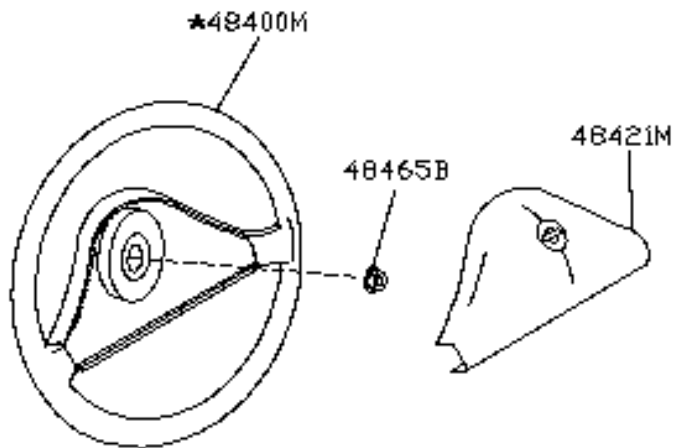


A483# 0034

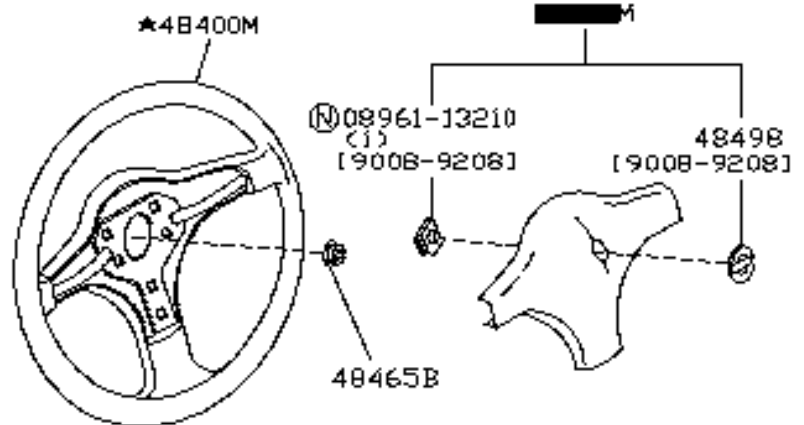
[Back To Steering](#)

Nissan Pulsar GTI-R - Steering Wheel

4S.(V1+M1)
3HB.(V1+M1+GTI/RB)
★印(48400M)の構成部品は非販売



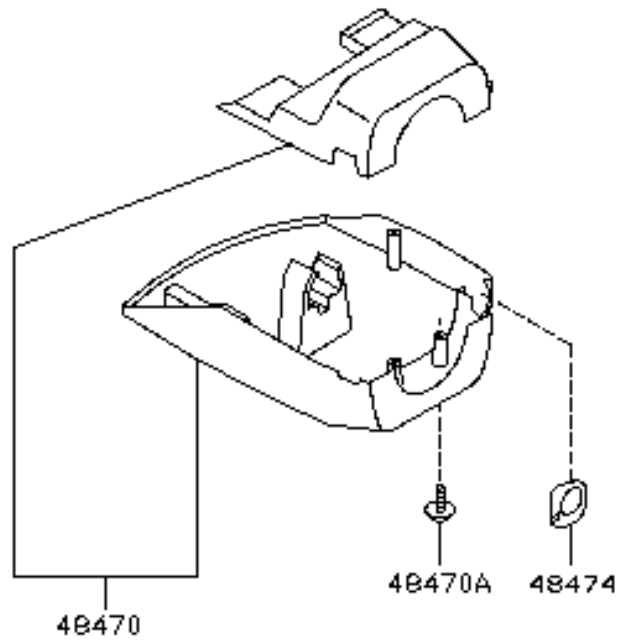
X1R+GTI+X1
3HB.GT1/RA



A484*0118

[Back To Steering](#)

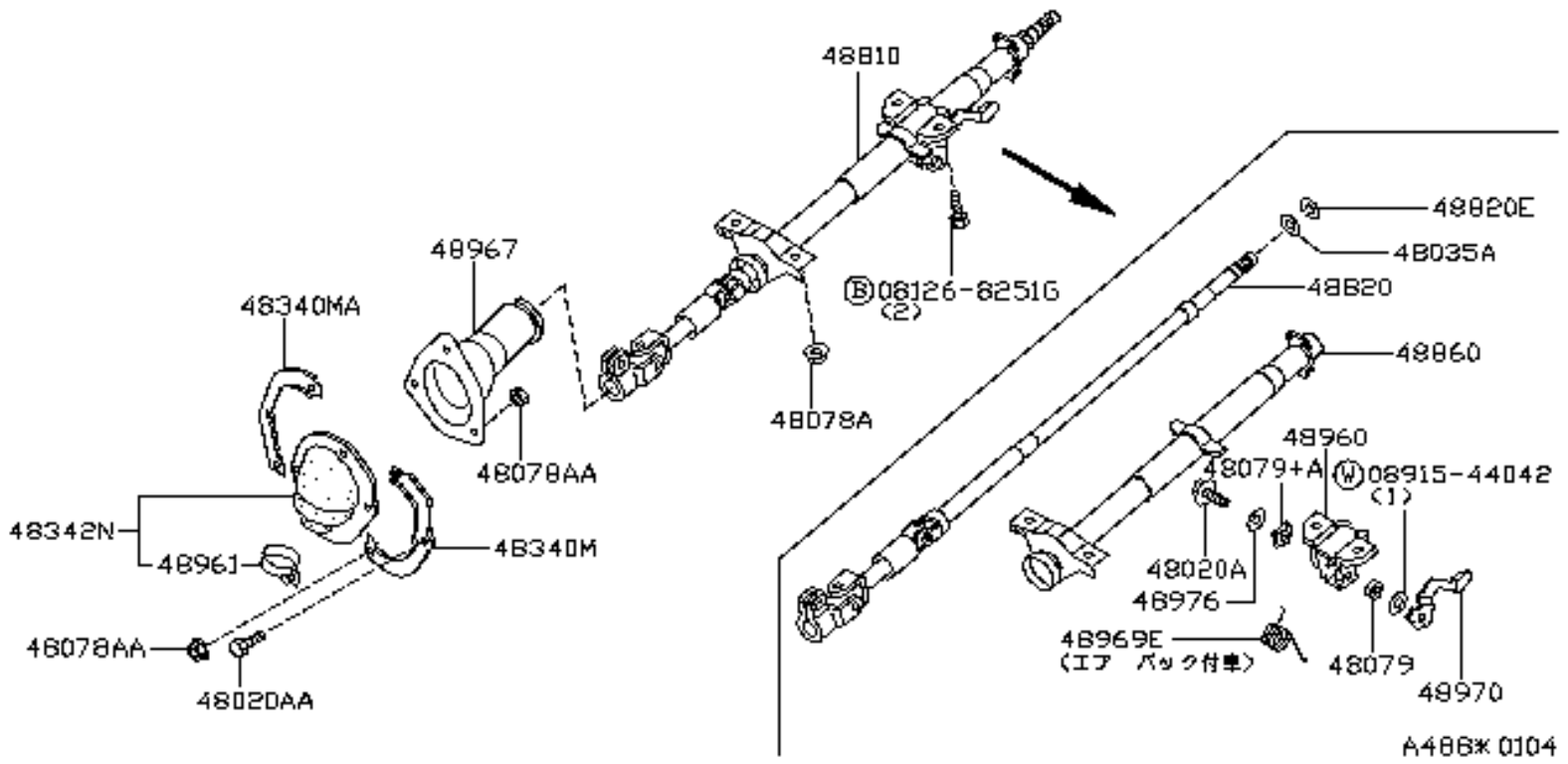
Nissan Pulsar GTI-R - Steering Column Cover



A4B7A 0026

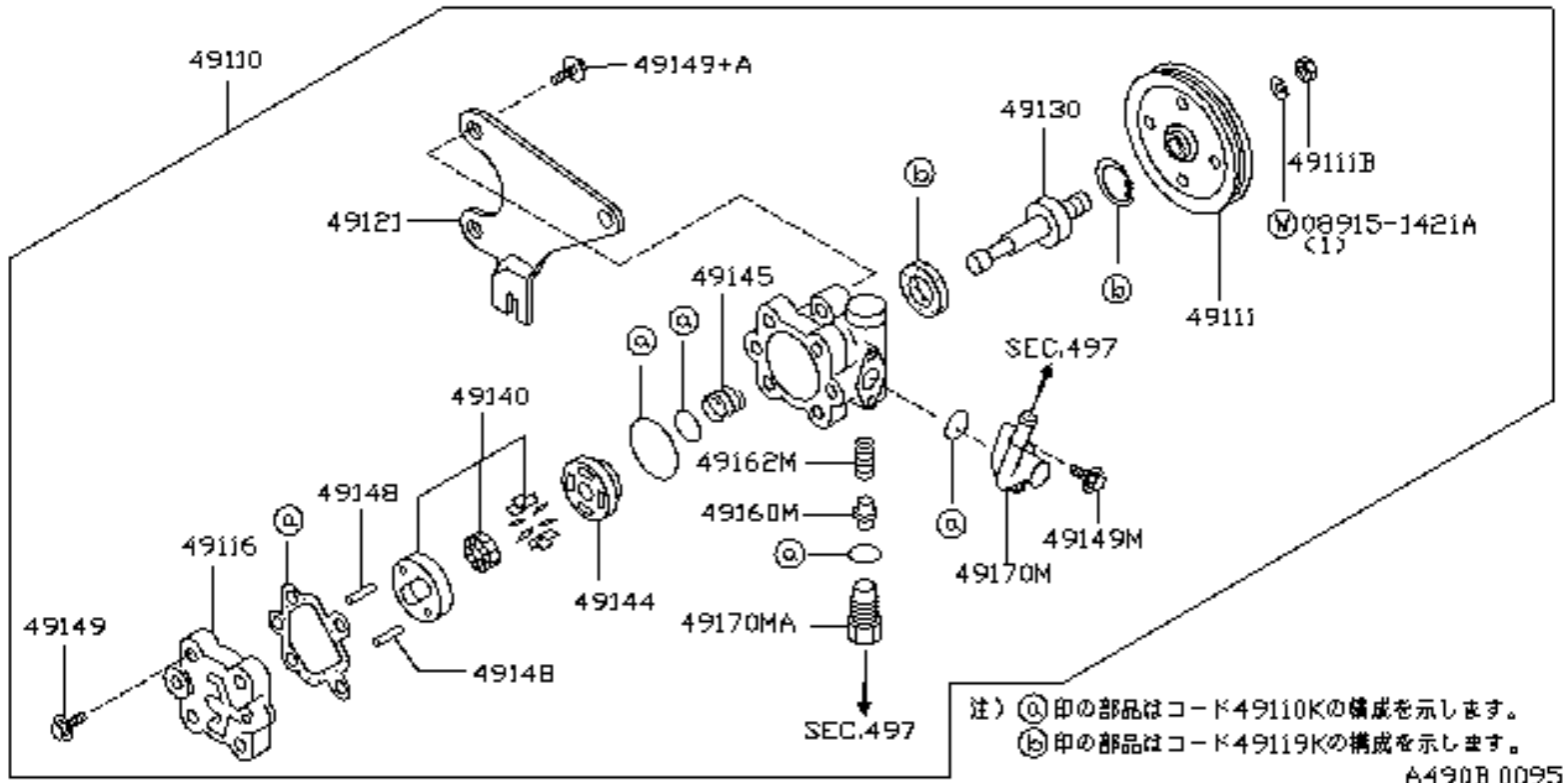
[Back To Steering](#)

Nissan Pulsar GTI-R - Steering Column



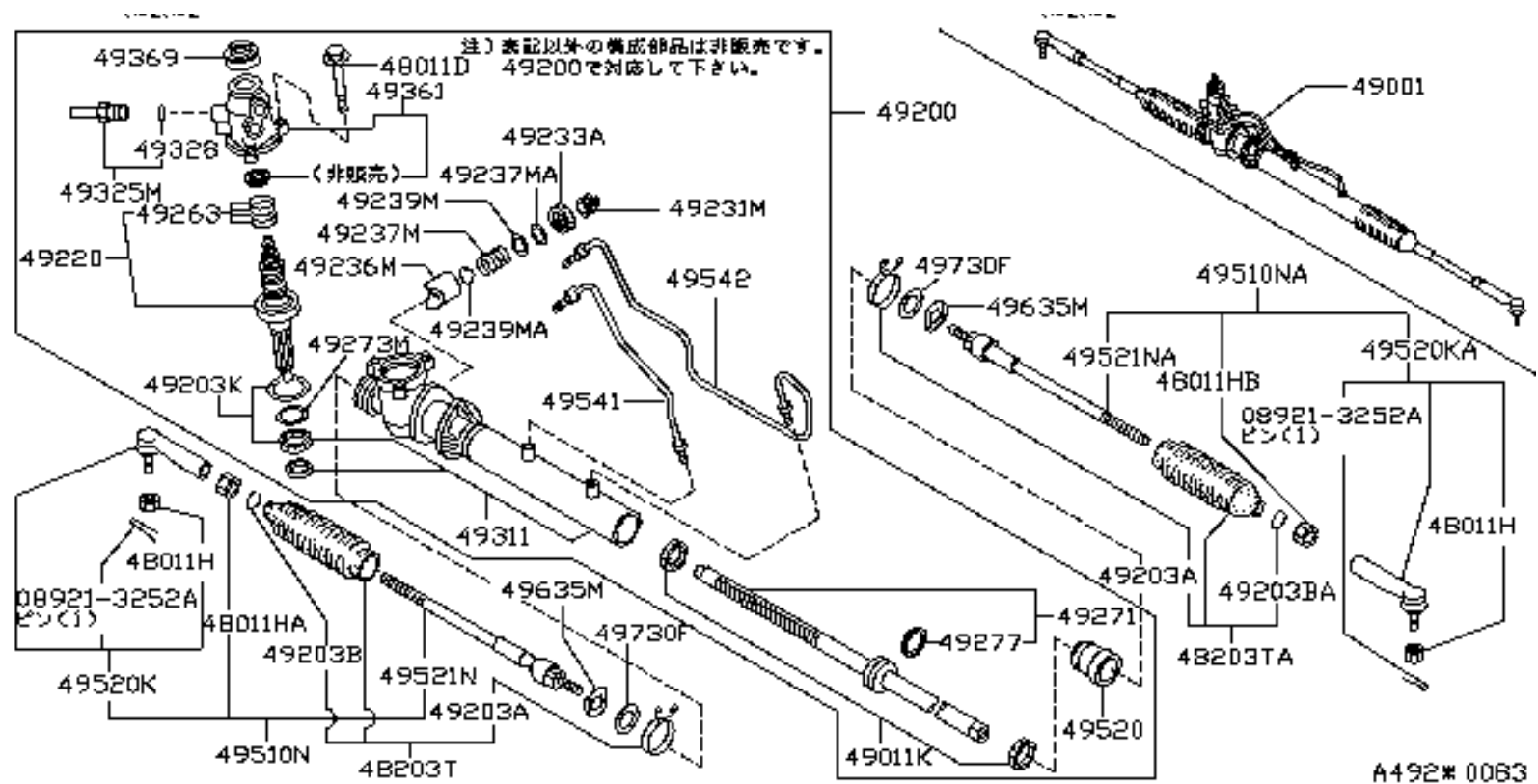
[Back To Steering](#)

Nissan Pulsar GTI-R - Power Steering Pump



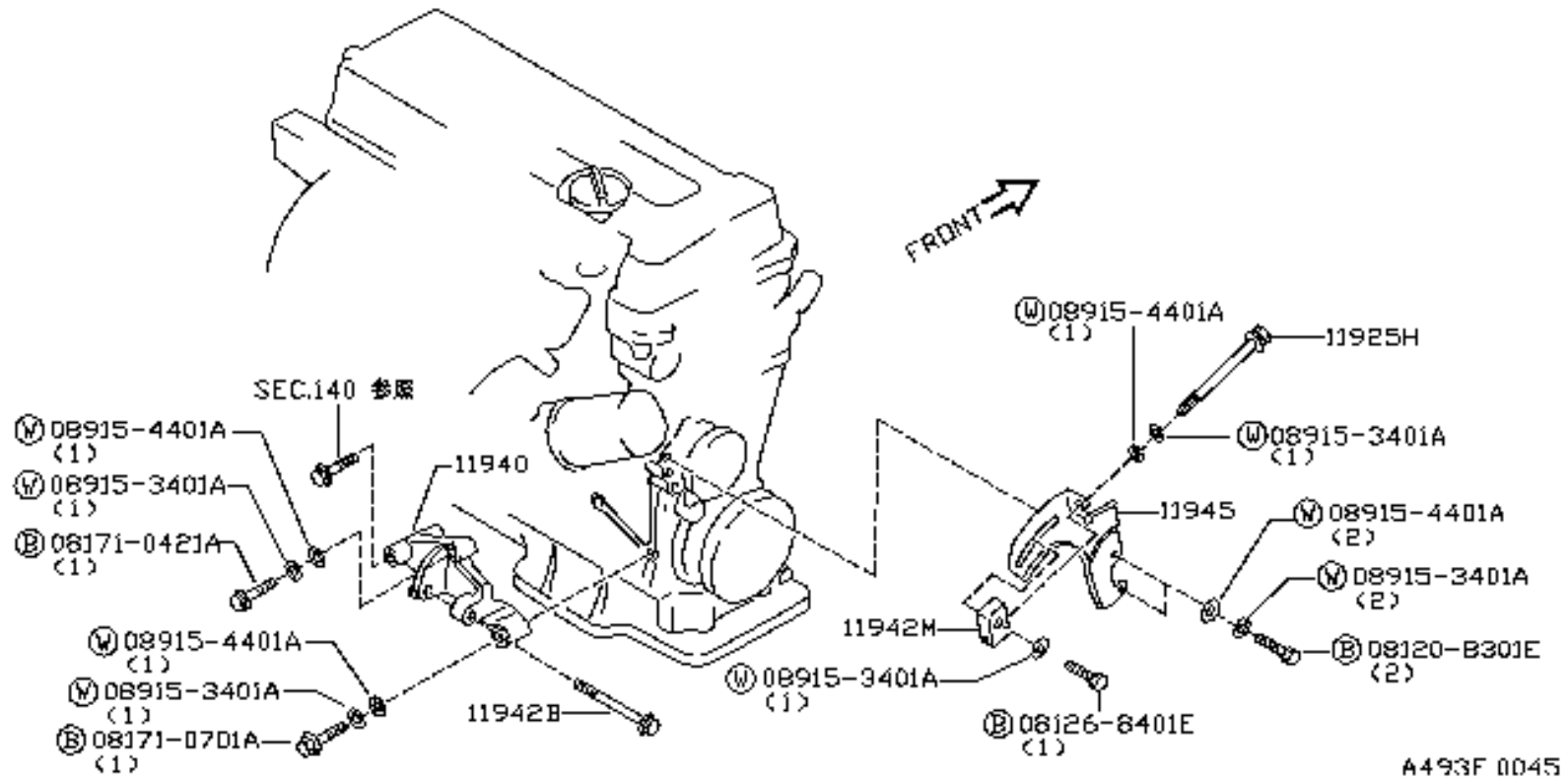
[Back To Steering](#)

Nissan Pulsar GTI-R - Power Steering Rack



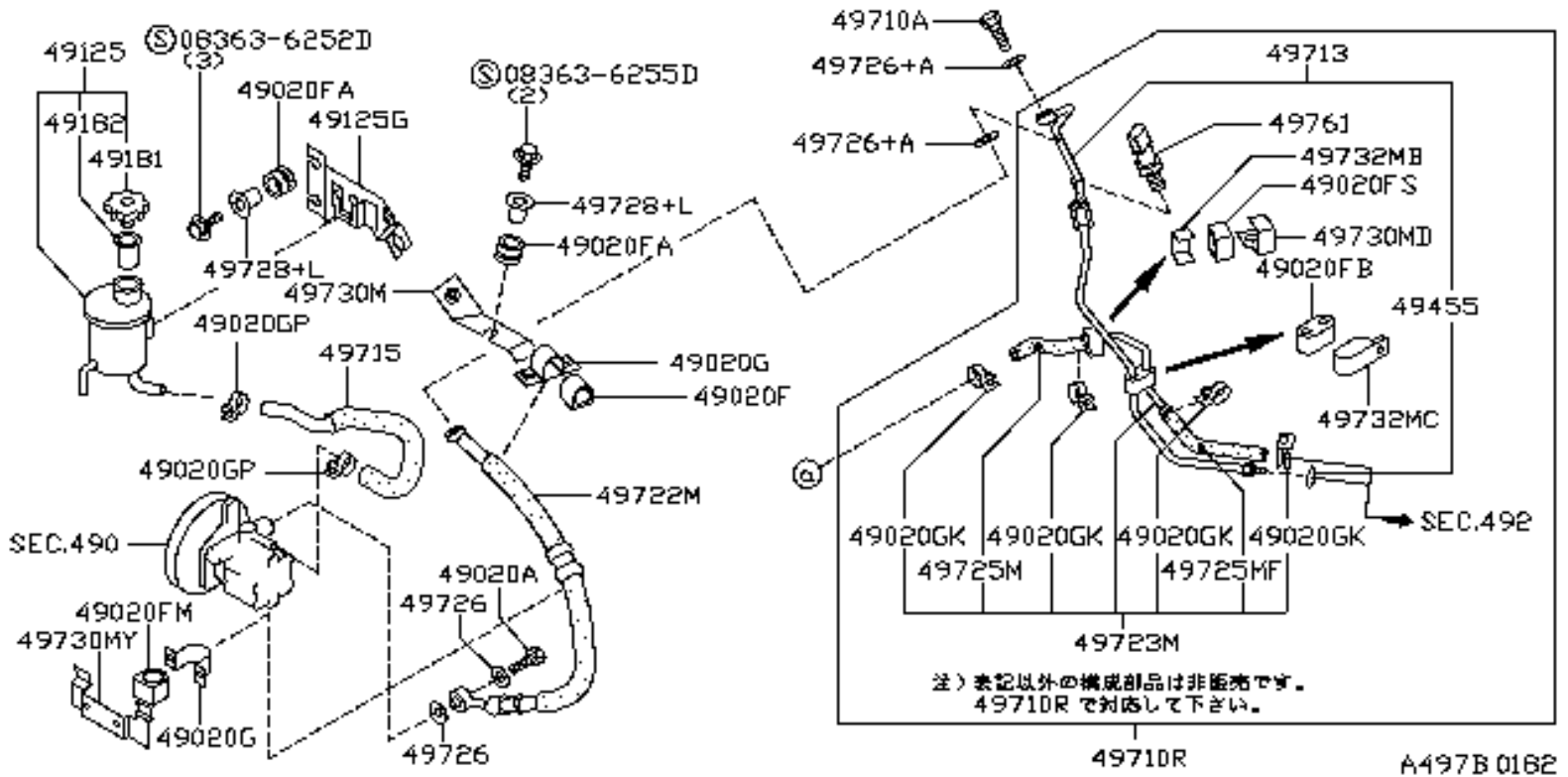
[Back To Steering](#)

Nissan Pulsar GTI-R - Power Steering Pump Fixings



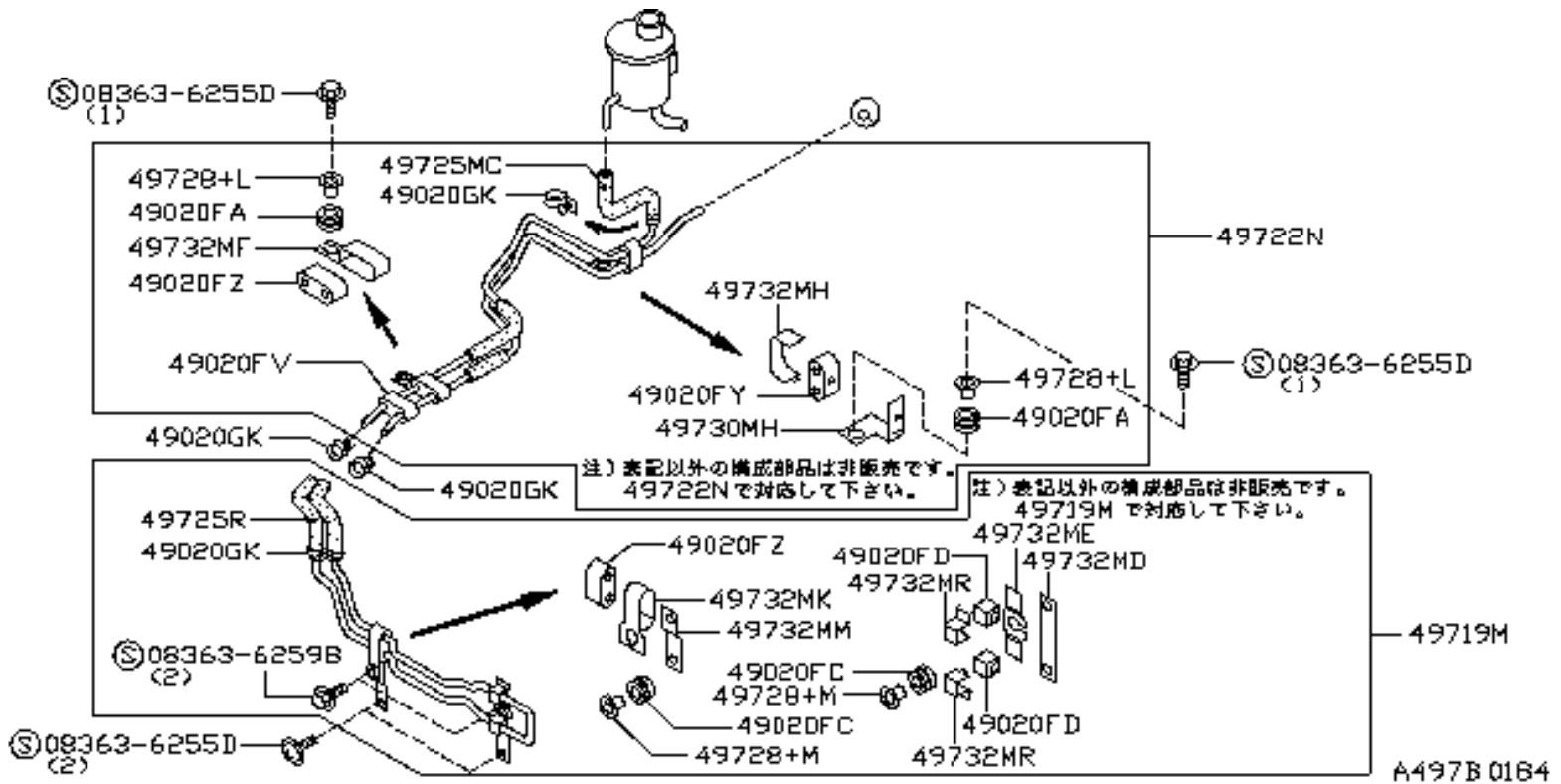
[Back To Steering](#)

Nissan Pulsar GTI-R - Power Steering Piping - Page 1



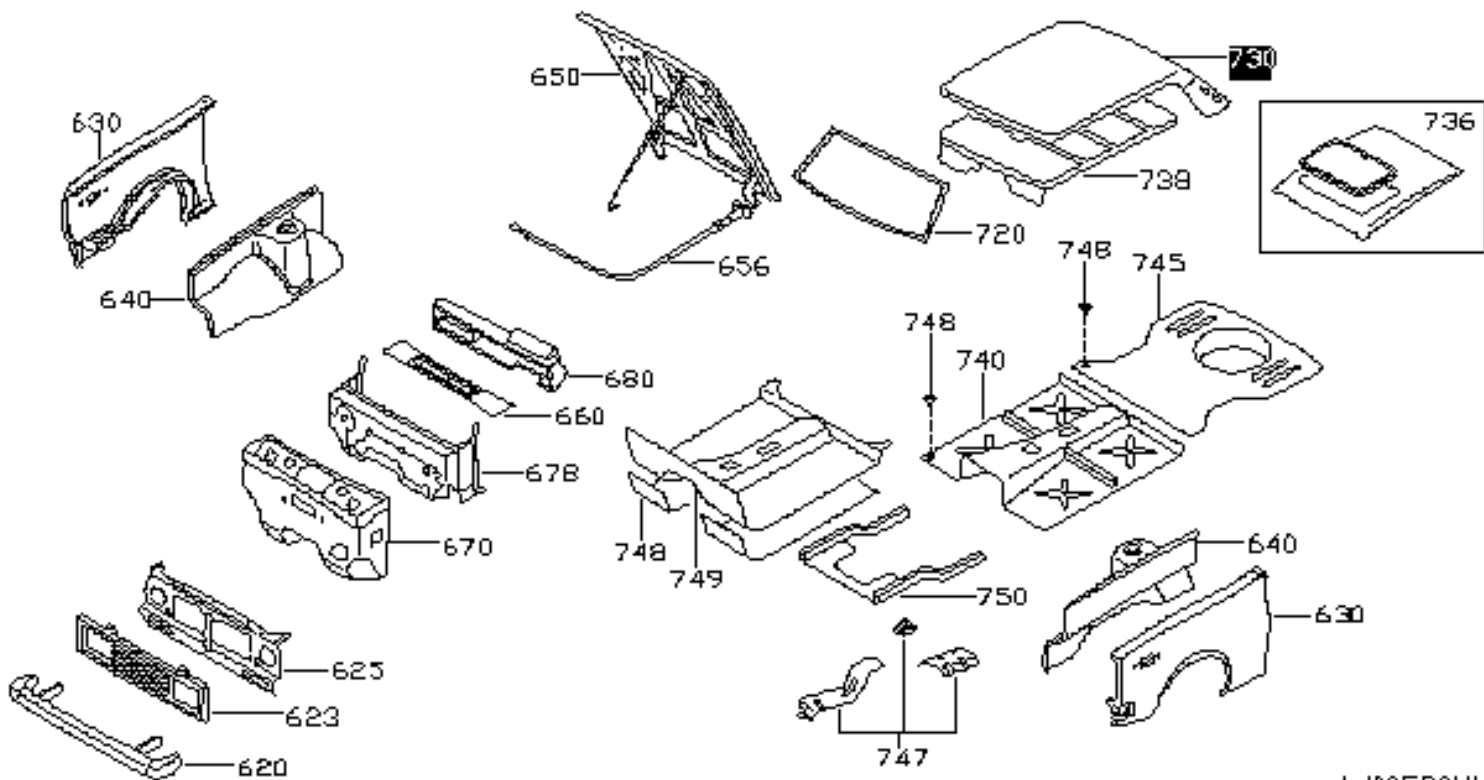
49710R A497B 0162

Nissan Pulsar GTI-R - Power Steering Piping - Page 2



[Back To Steering](#)

Nissan Pulsar GTI-R - Body Front



AJ00ER0N14

Index

[Back To Main Menu](#)

620 - [Front Bumper](#)

623 - [Front Grill](#)

625 - [Front Panel & Apron](#)

630 - [Front wing](#)

640 - [Front Inner Wing](#)

650 - [Hood](#)

656 - [Hood Lock Control](#)

660 - [Top Cowl](#)

670 - [Dash Panel](#)

680 - [Instrument Panel & Fittings](#)

720 - [Front Wind Screen](#)

730 - [Roof Panel & Fittings](#)

738 - [Roof Fittings](#)

740 - [Floor Panel](#)

745 - [Floor Panel Rear](#)

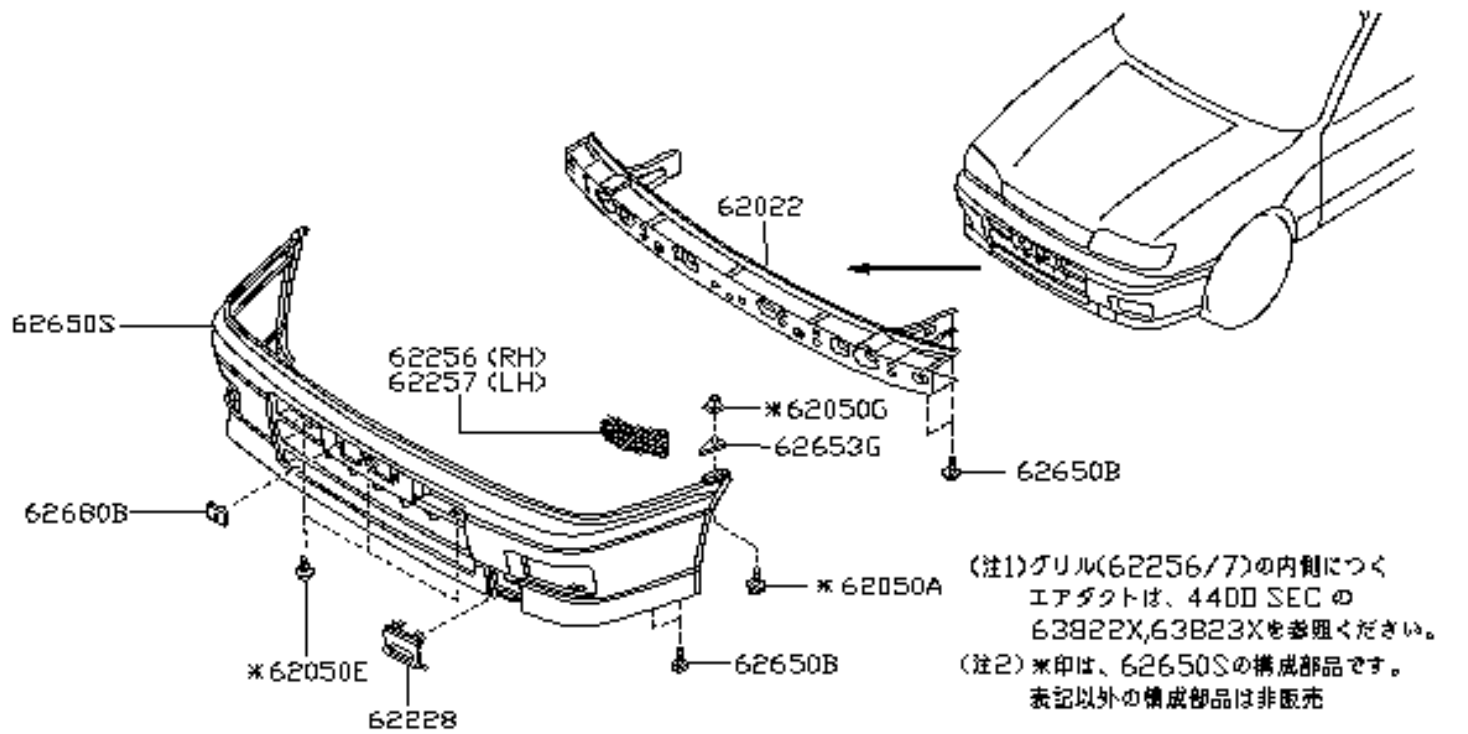
747 - [Floor Fittings](#)

748 - [Floor Fittings](#)

749 - [Floor Trimmings](#)

750 - [Member](#)

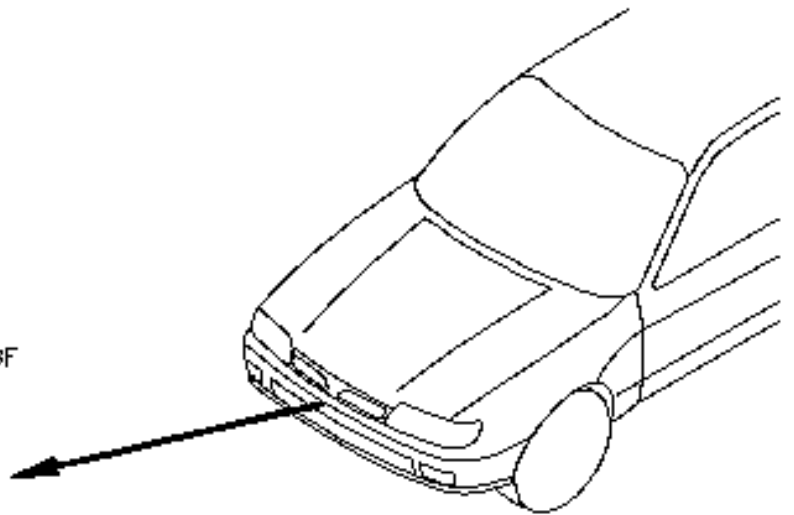
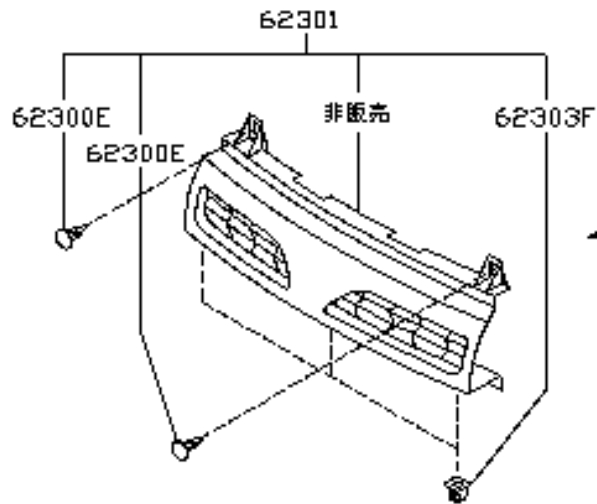
Nissan Pulsar GTI-R - Front Bumper



A620C 0074

[Back To Body Front](#)

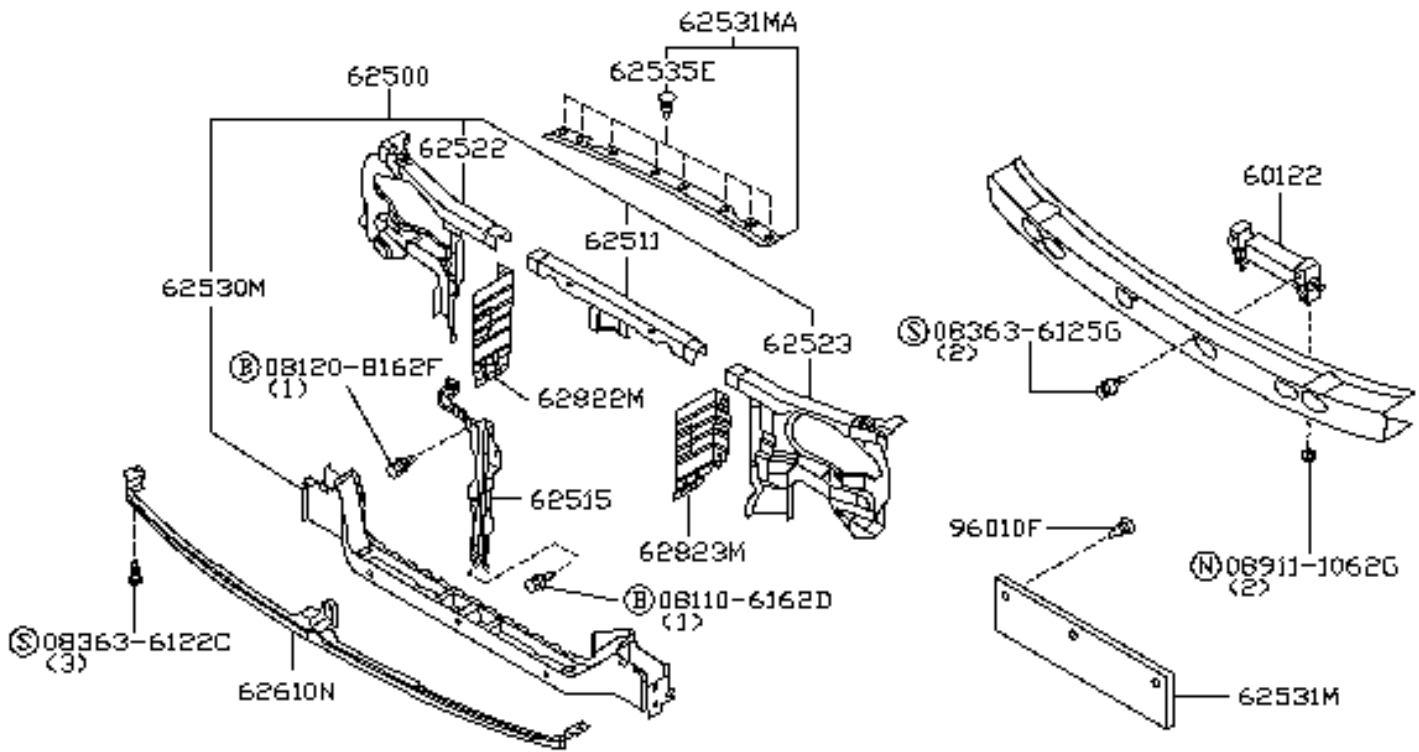
Nissan Pulsar GTI-R - Front Grill



A623* 0083

[Back To Body Front](#)

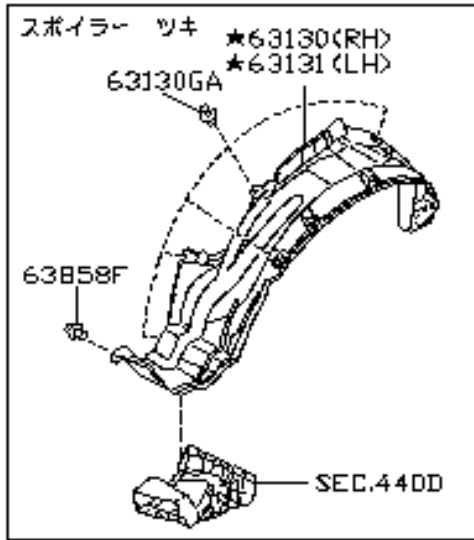
Nissan Pulsar GTI-R - Front Panel & Apron



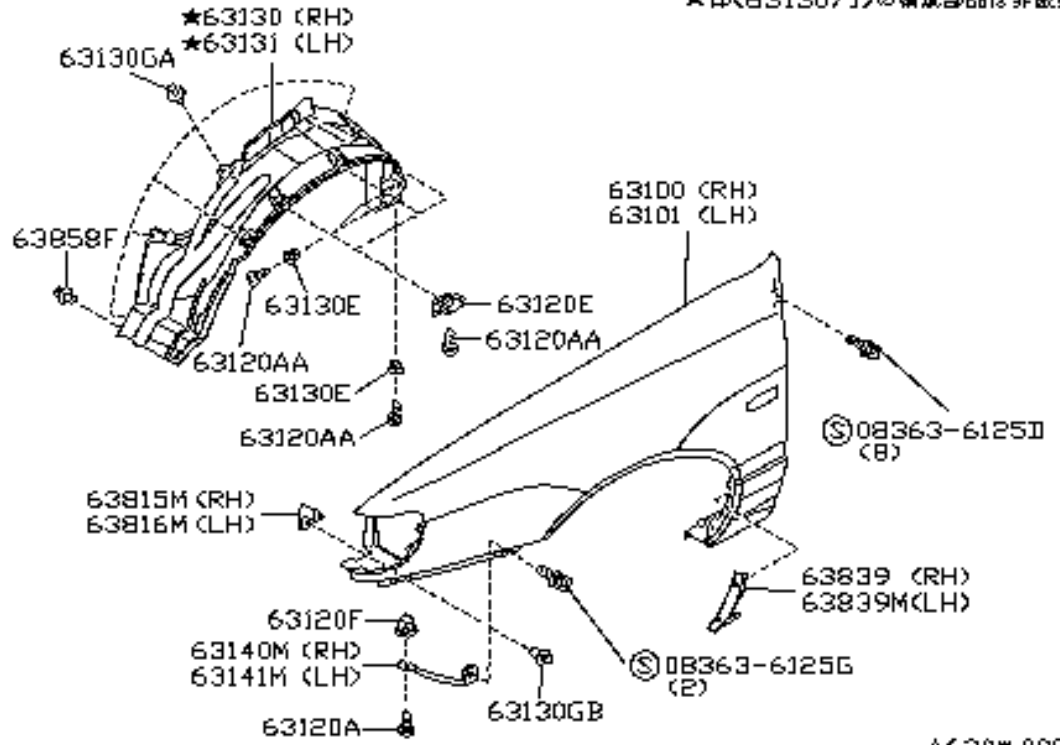
A625* 0094

[Back To Body Front](#)

Nissan Pulsar GTI-R - Front Wing



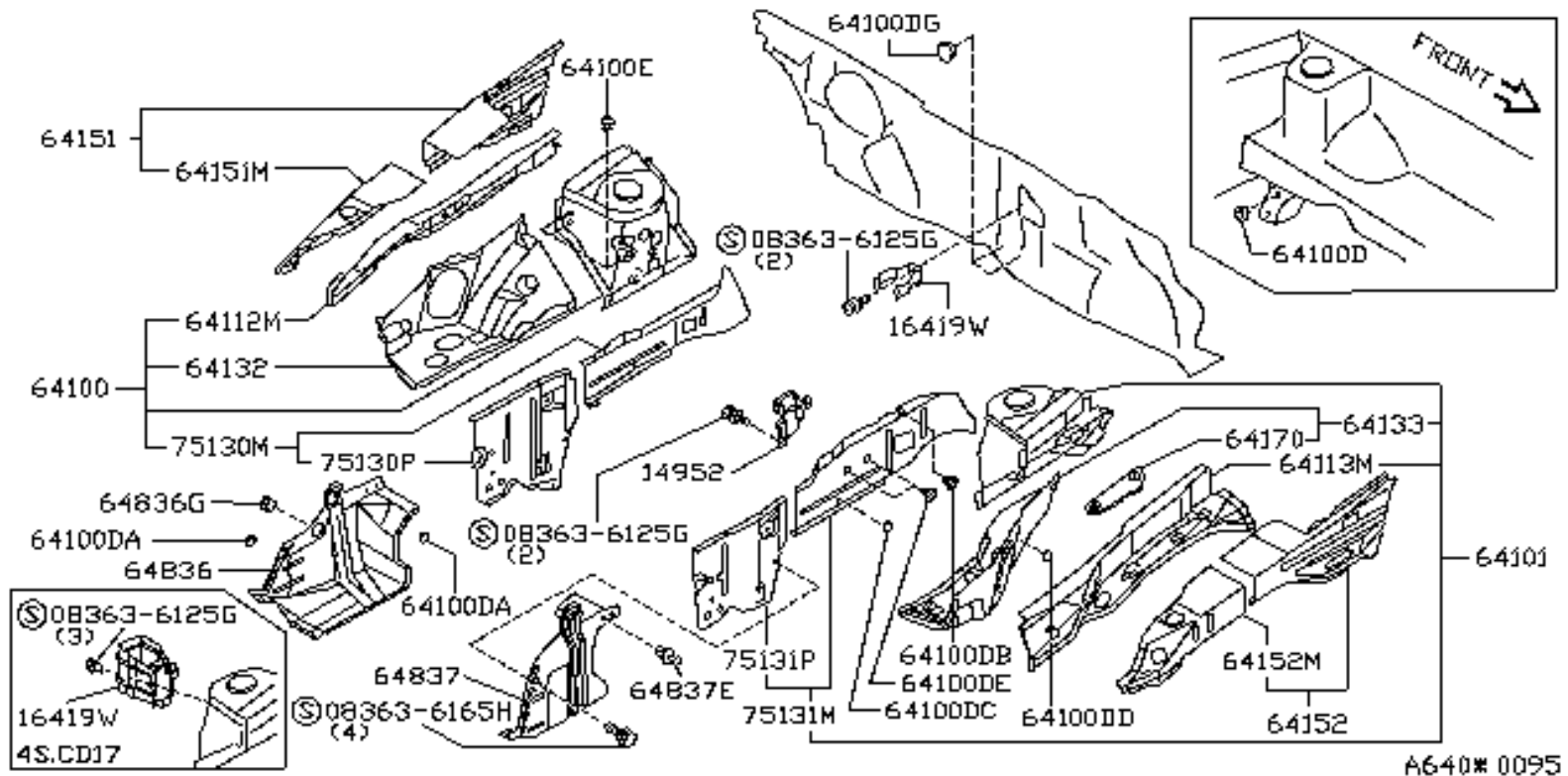
★印(63130/1)の構成部品は非販売



A630* 0065

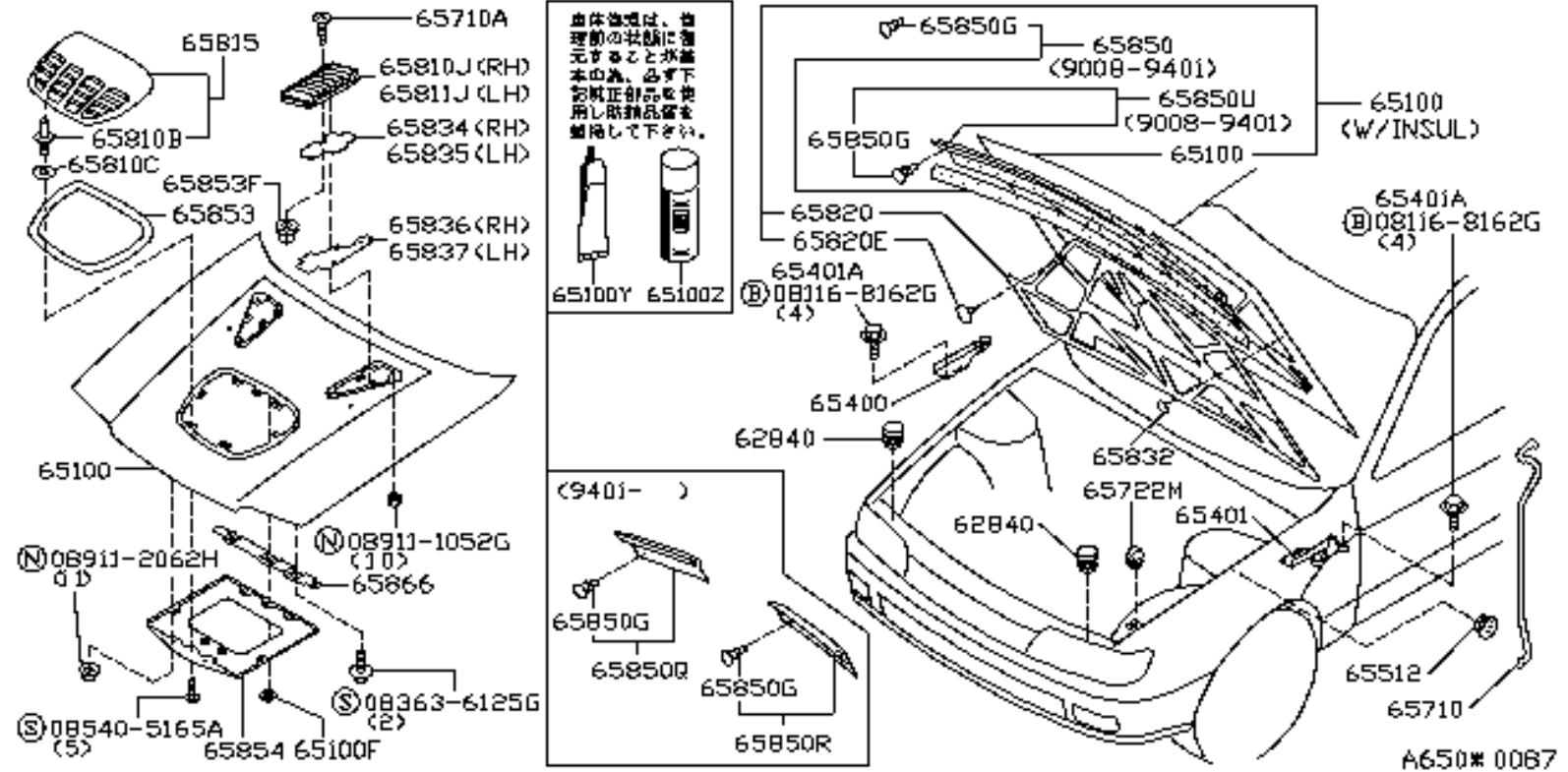
[Back To Body Front](#)

Nissan Pulsar GTI-R - Front Inner Wing



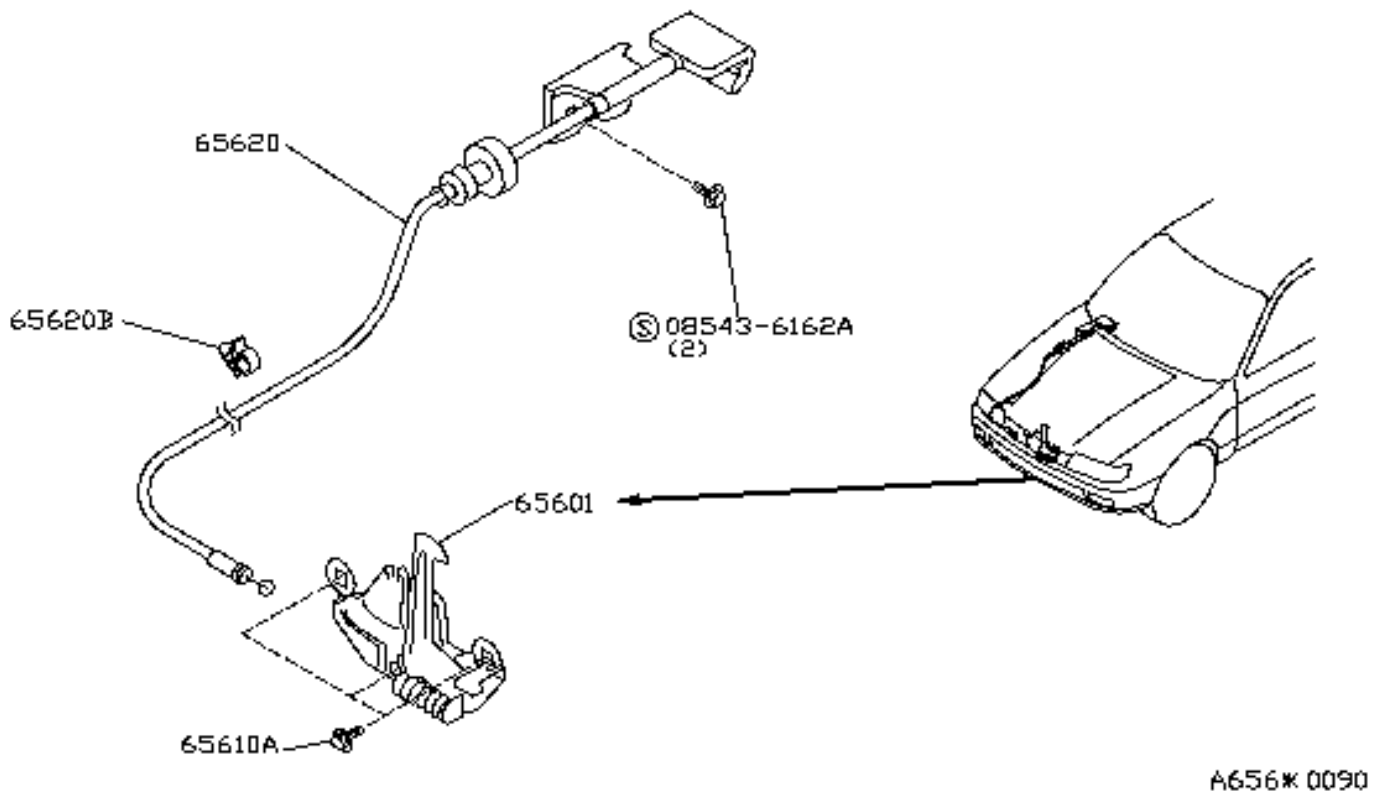
[Back To Body Front](#)

Nissan Pulsar GTI-R - Front Hood



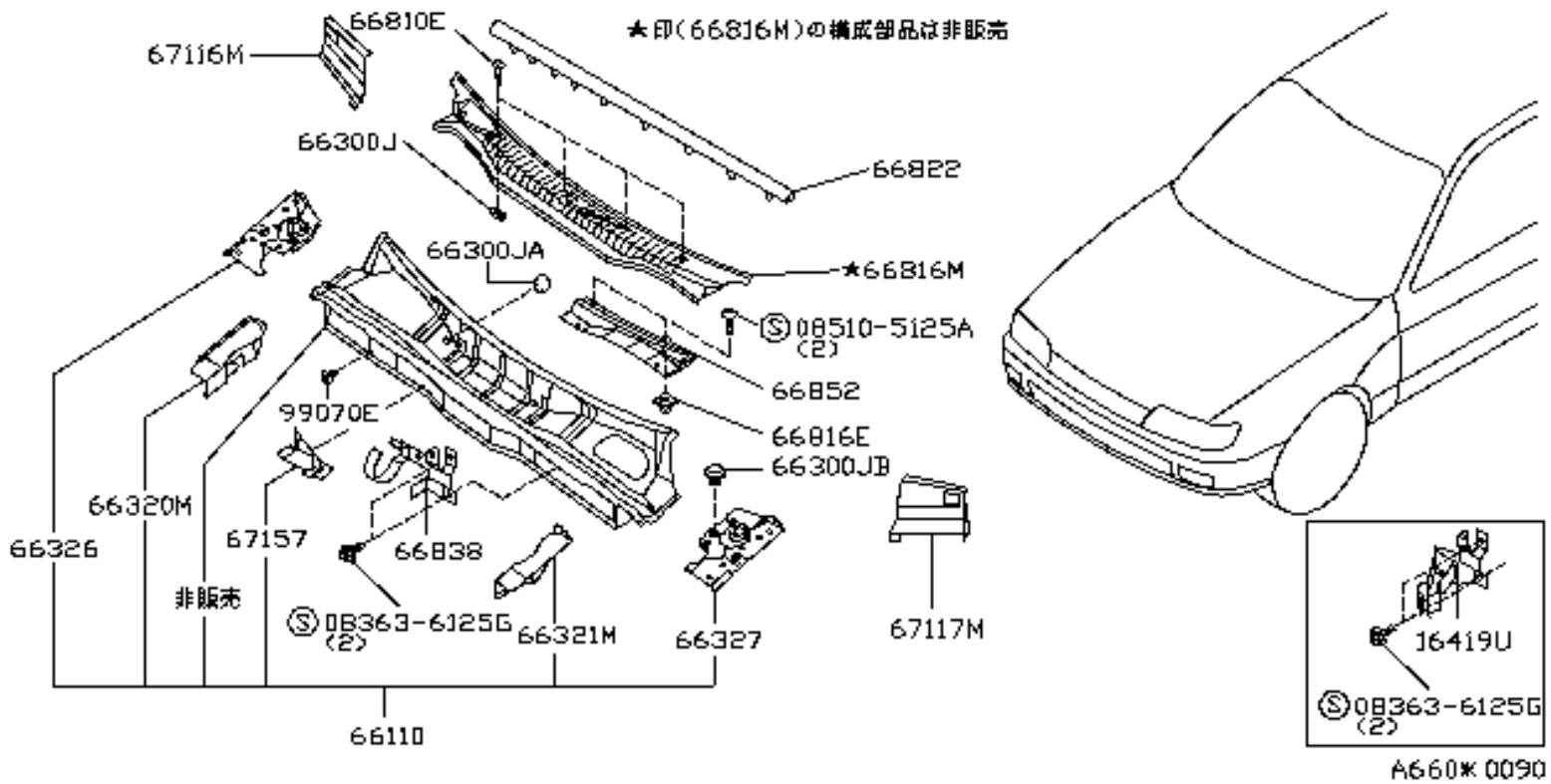
[Back To Body Front](#)

Nissan Pulsar GTI-R - Hood Lock Control



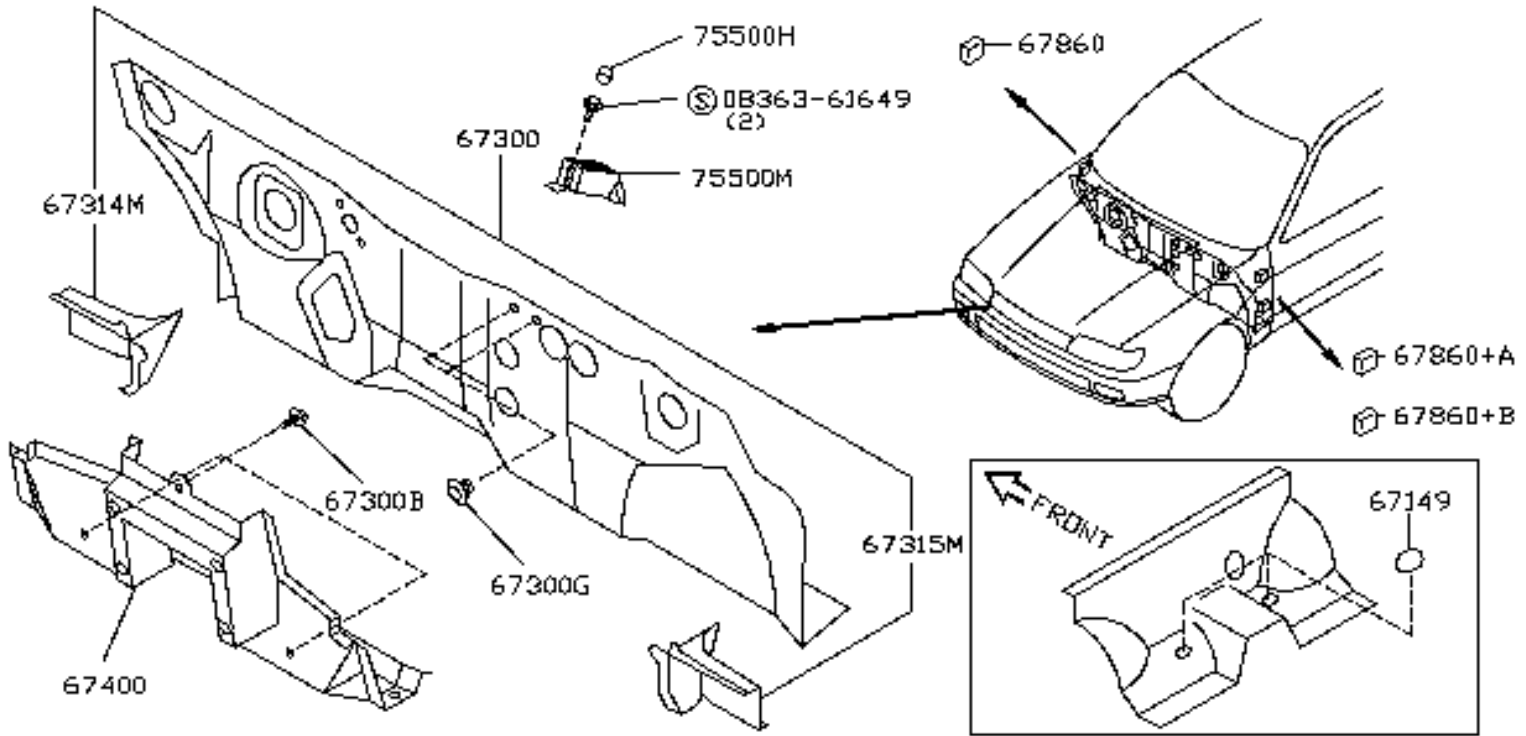
[Back To Body Front](#)

Nissan Pulsar GTI-R - Top Cowl



[Back To Body Front](#)

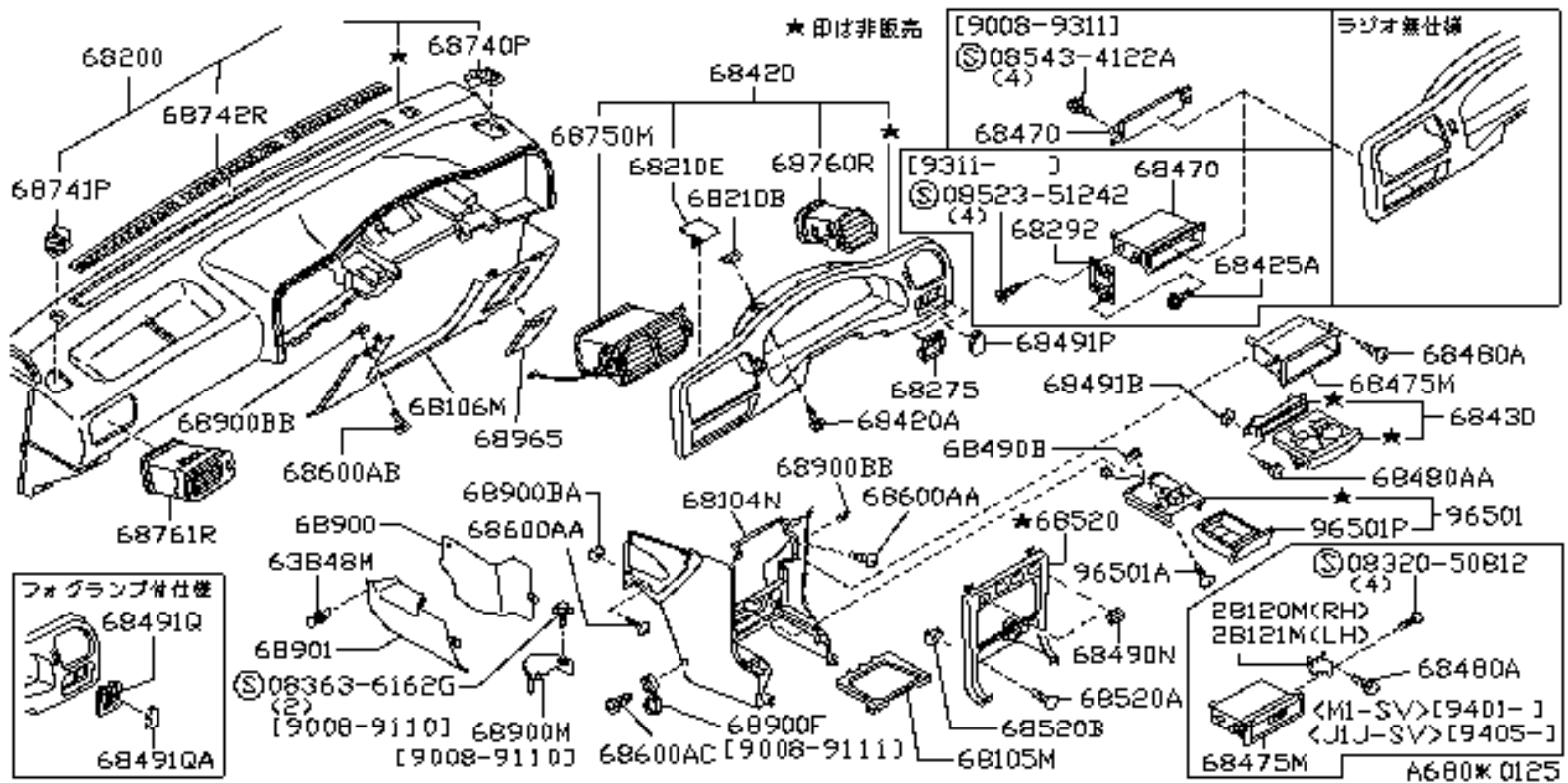
Nissan Pulsar GTI-R - Dash Panel



A670* 0092

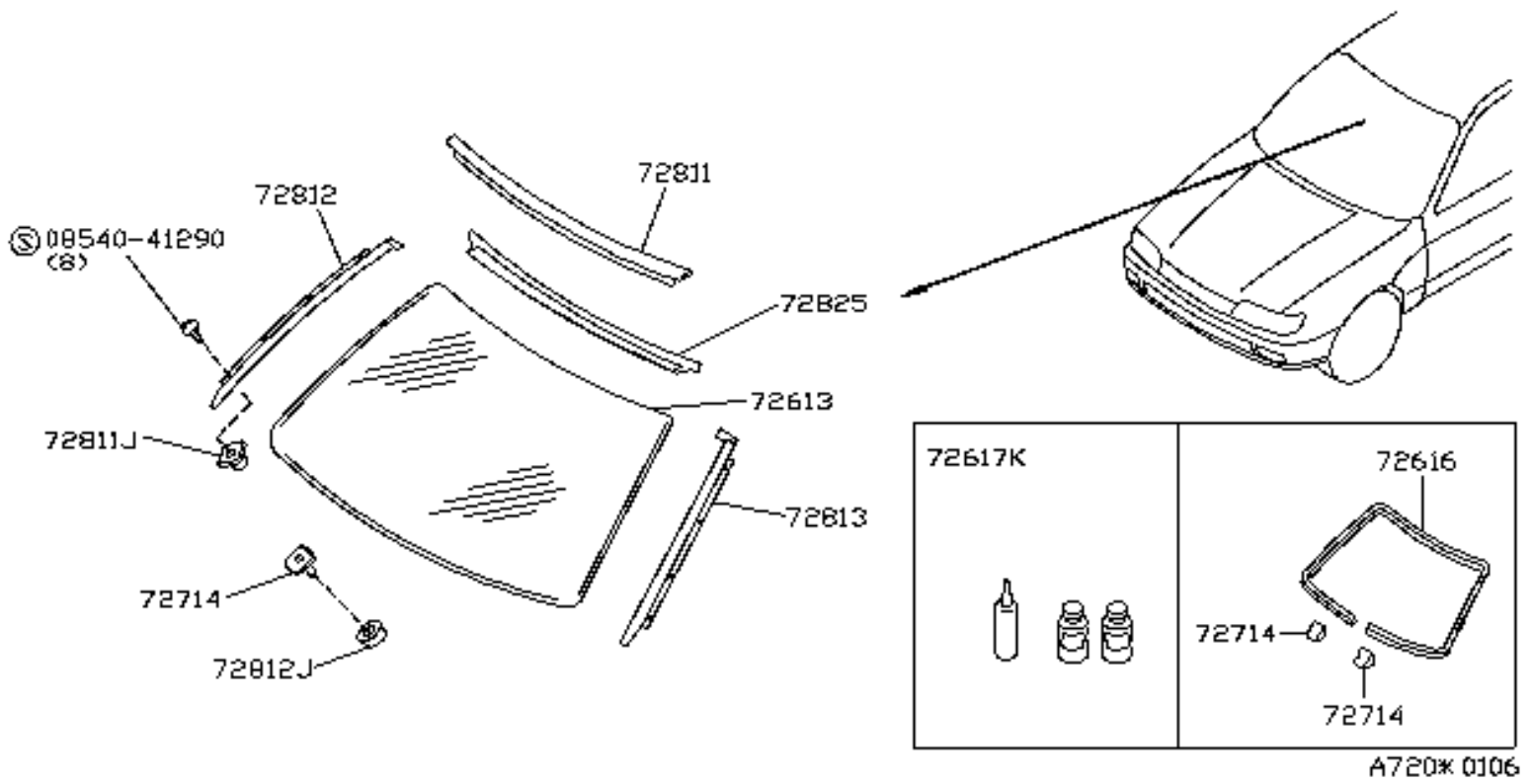
[Back To Body Front](#)

Nissan Pulsar GTI-R - Instrument Panel



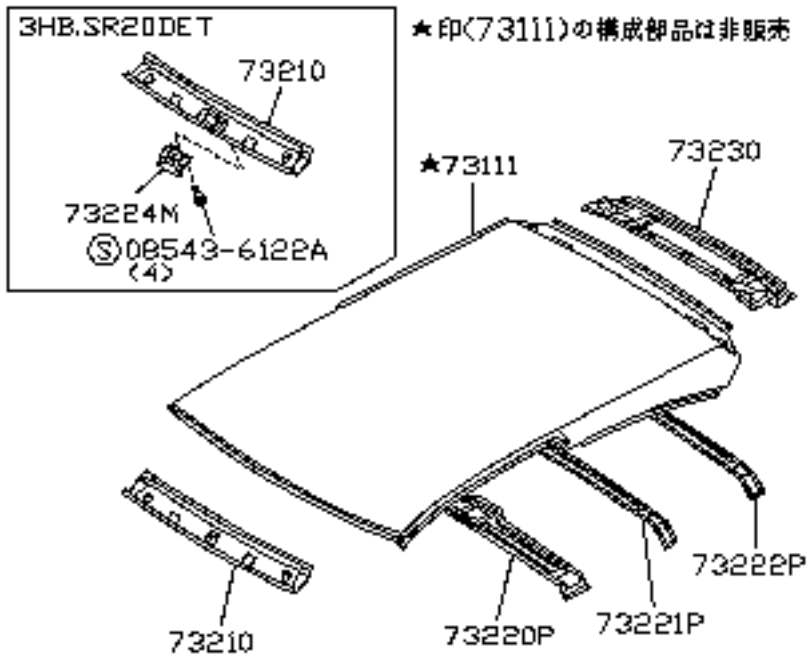
[Back To Body Front](#)

Nissan Pulsar GTI-R - Front Wind Screen



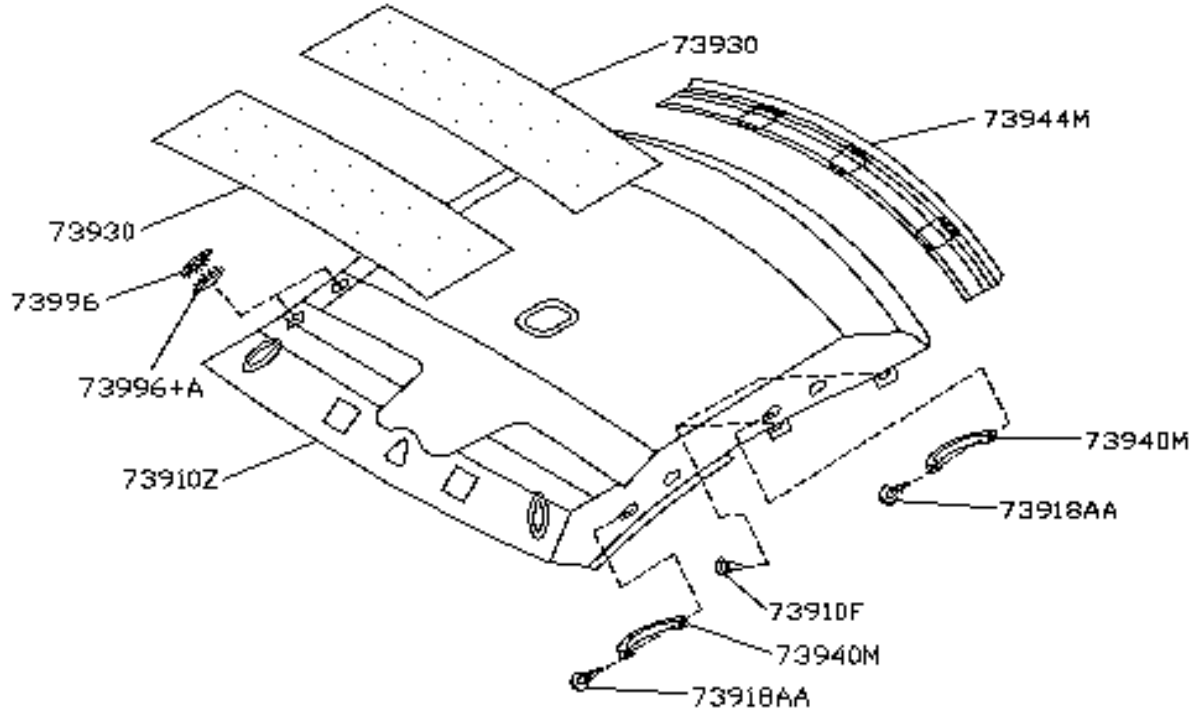
[Back To Body Front](#)

Nissan Pulsar GTI-R - Roof Panel



[Back To Body Front](#)

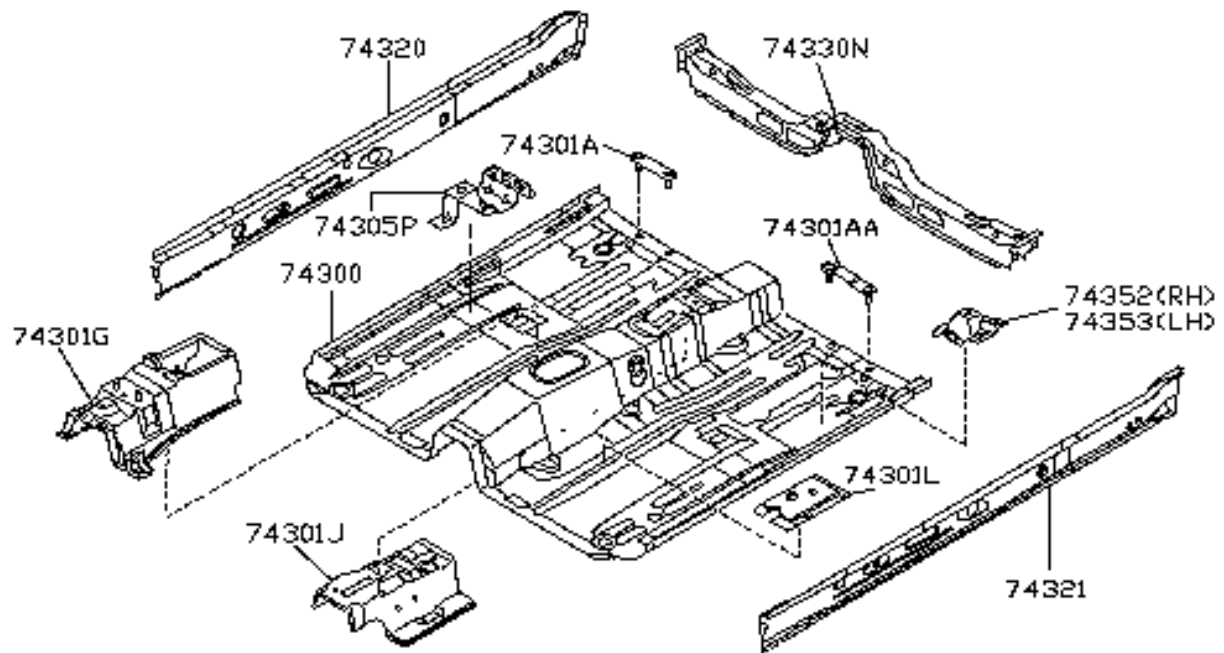
Nissan Pulsar GTI-R - Roof Trimmings



A738B 0139

[Back To Body Front](#)

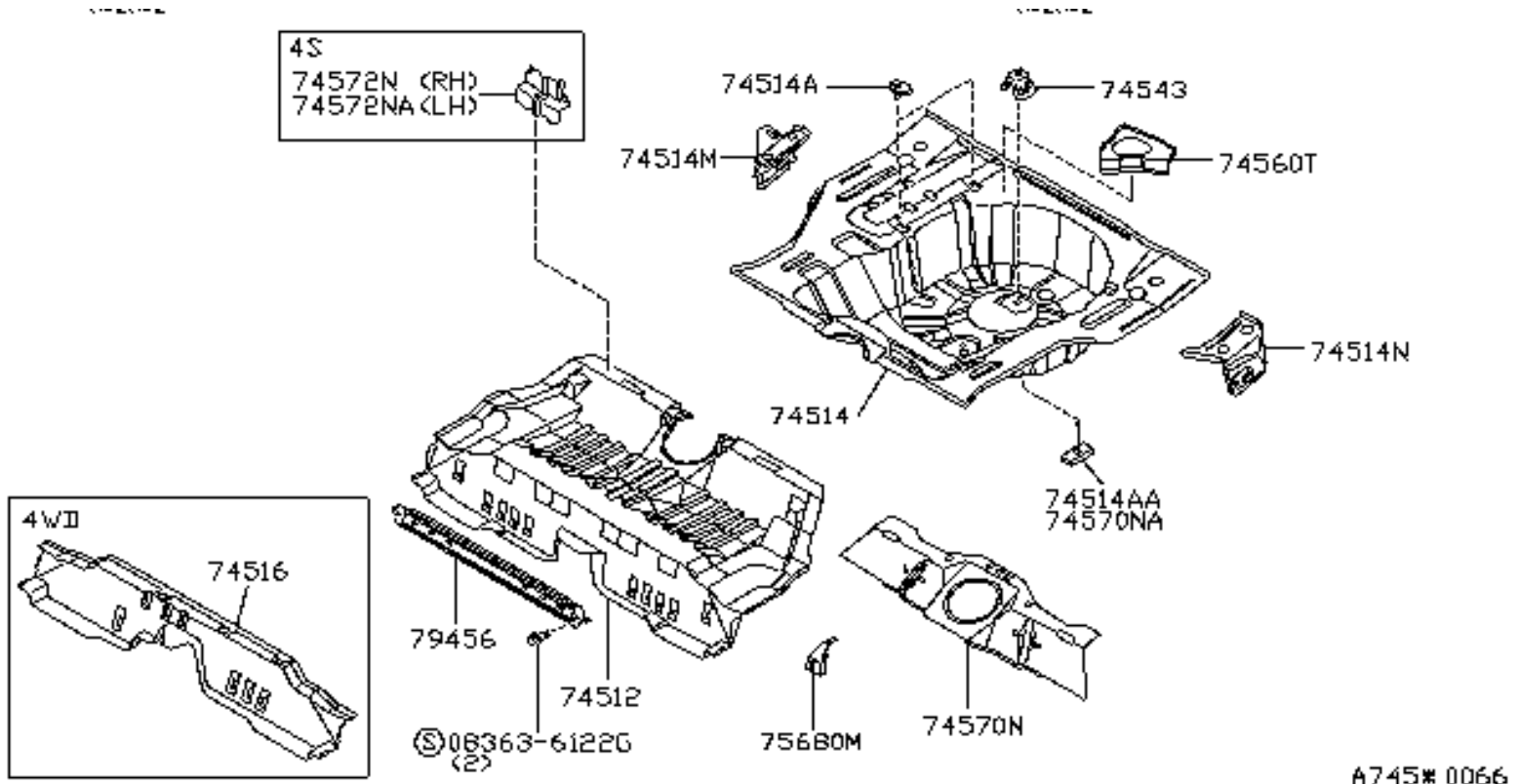
Nissan Pulsar GTI-R - Floor Panel



A740* 0096

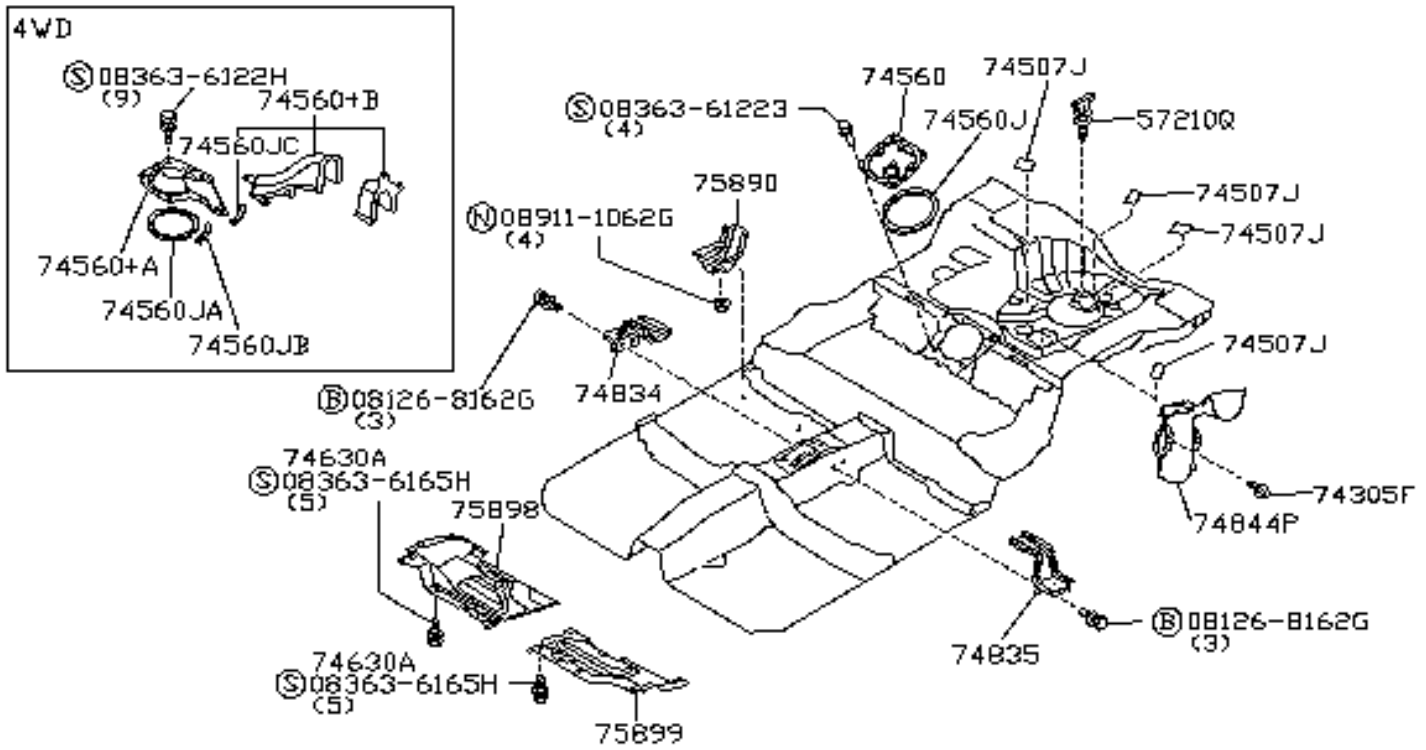
[Back To Body Front](#)

Nissan Pulsar GTI-R - Rear Floor Panel



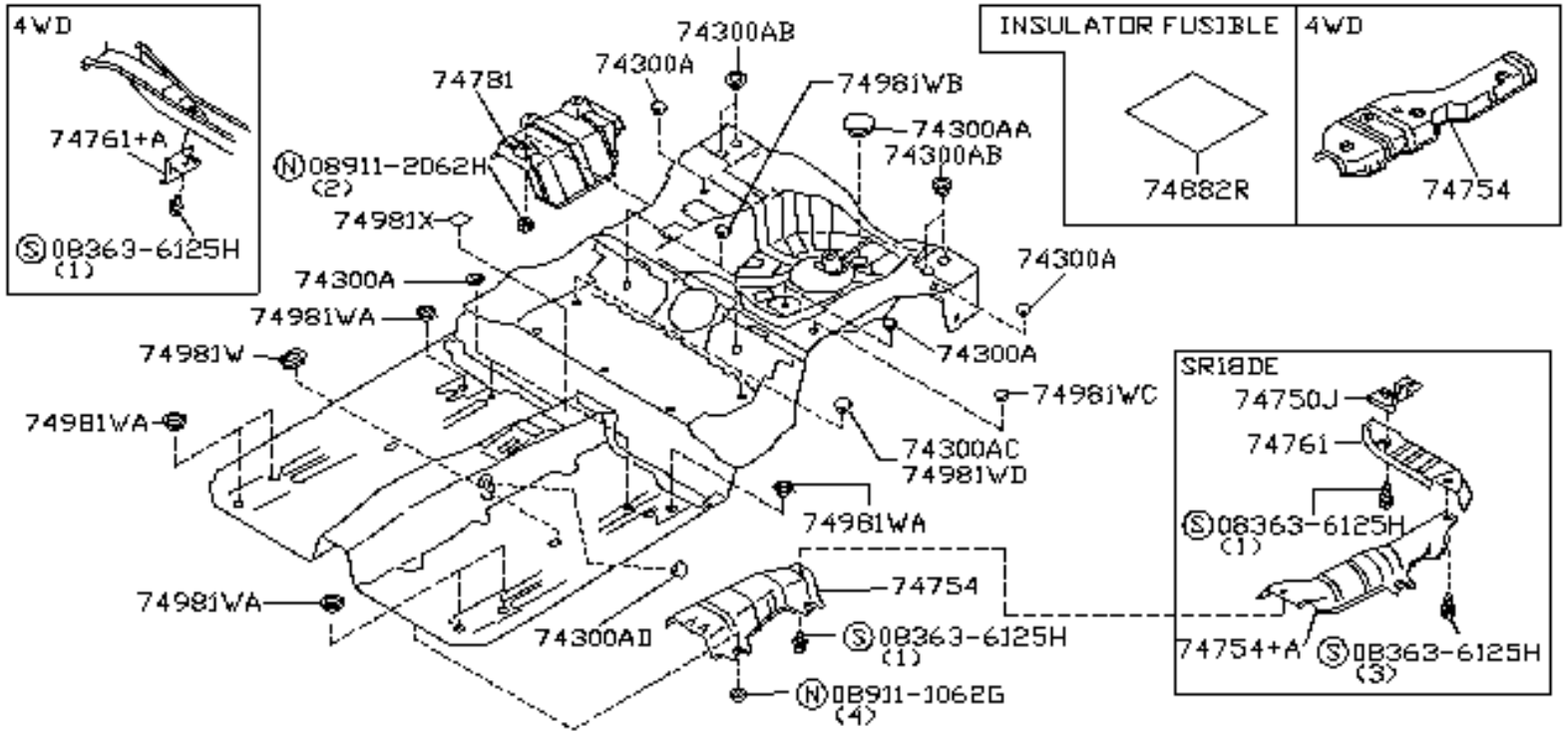
[Back To Body Front](#)

Nissan Pulsar GTI-R - Floor Fittings



[Back To Body Front](#)

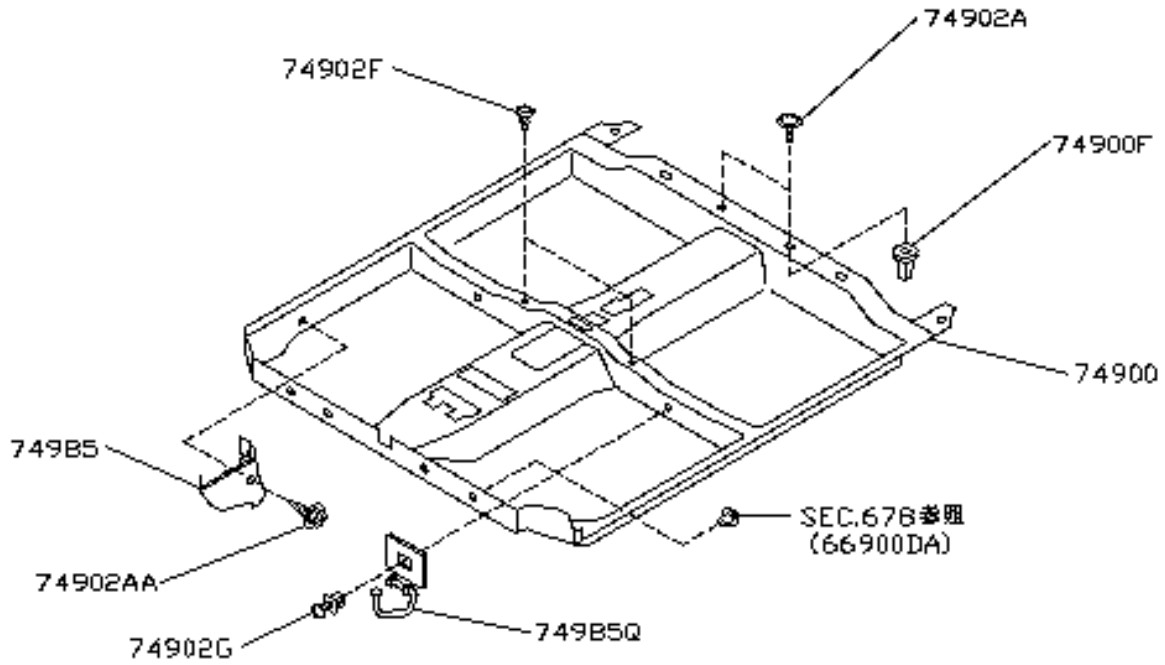
Nissan Pulsar GTI-R - Floor Fittings



A748* 0043

[Back To Body Front](#)

Nissan Pulsar GTI-R - Floor Trimmings

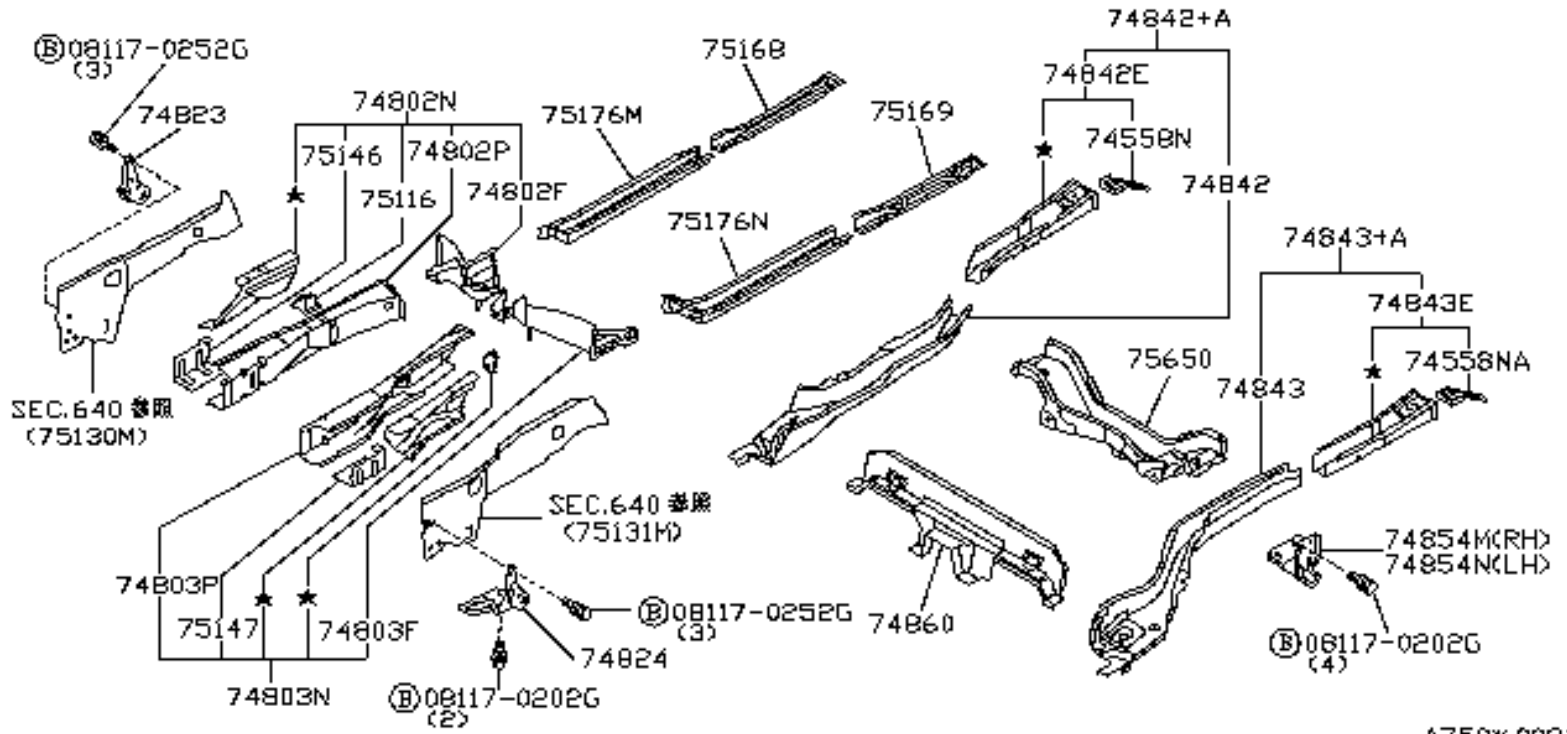


A749* 0074

[Back To Body Front](#)

Nissan Pulsar GTI-R - Member

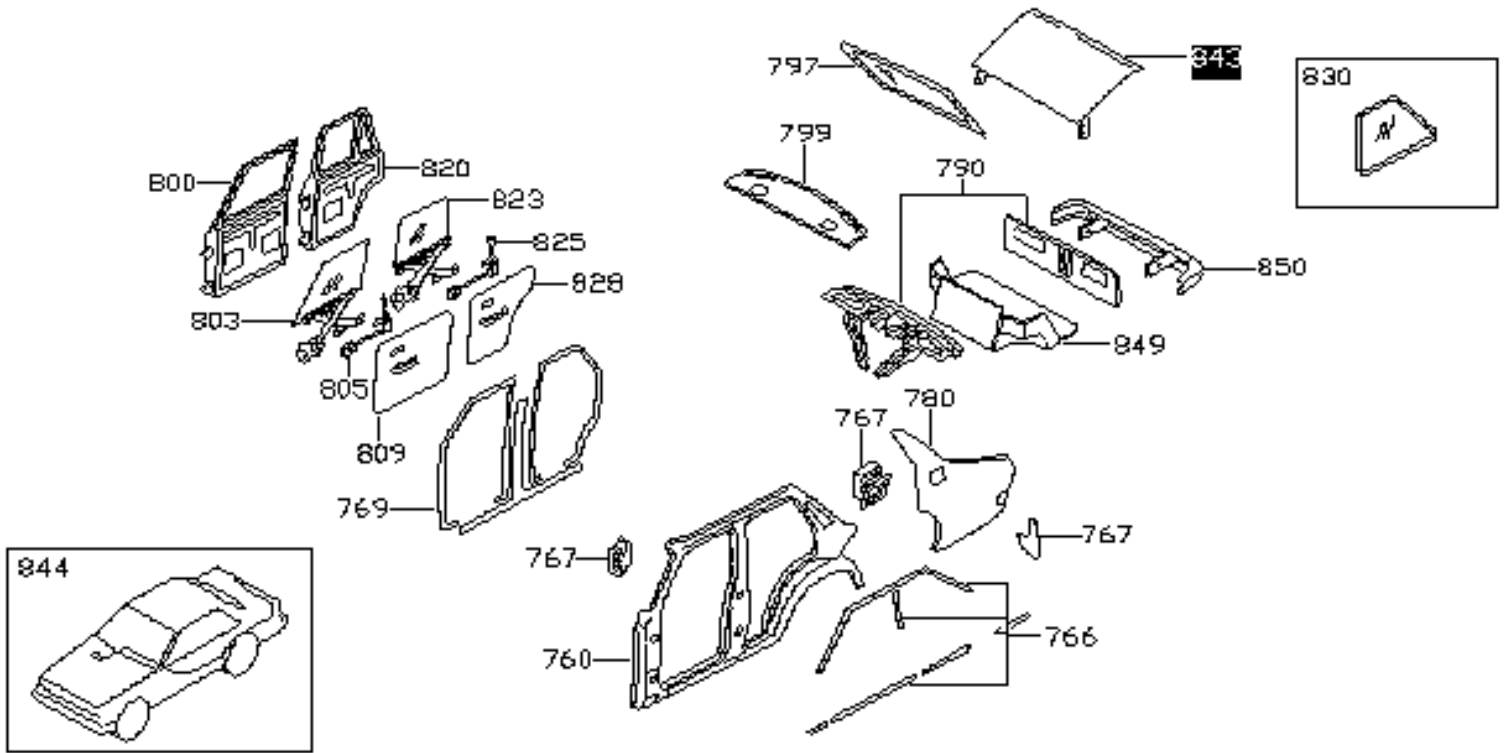
★印は非販売



A750* 0081

[Back To Body Front](#)

Nissan Pulsar GTI-R - Body Side



AK00ER0N14

Index

[Back To Main Menu](#)

760 - [Body Side Panel](#)

766 - [Body Side Mouldings](#)

767 - [Body Side Fittings](#)

769 - [Body Side Trimmings](#)

780 - [Rear Wing](#)

790 - [Rear Panel](#)

799 - [Parcel shelf](#)

800 - [Front Door](#)

803 - [Front Window](#)

805 - [Front Door Lock & Handle](#)

809 - [Front Door Trimmings](#)

830 - [Side Window](#)

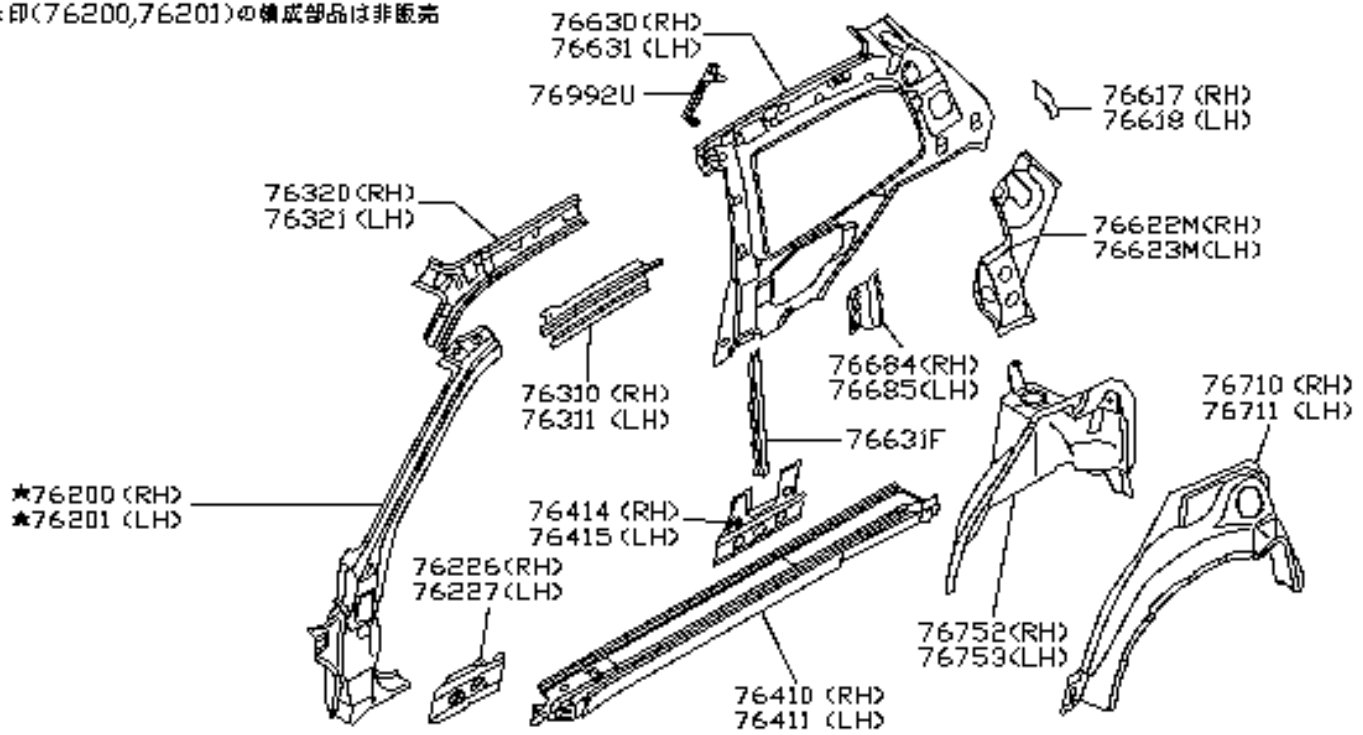
849 - [Boot Fittings](#)

850 - [Rear Bumper](#)

843 - See Sec 900

Nissan Pulsar GTI-R - Body Side Panel

★印(76200,76201)の構成部品は非販売

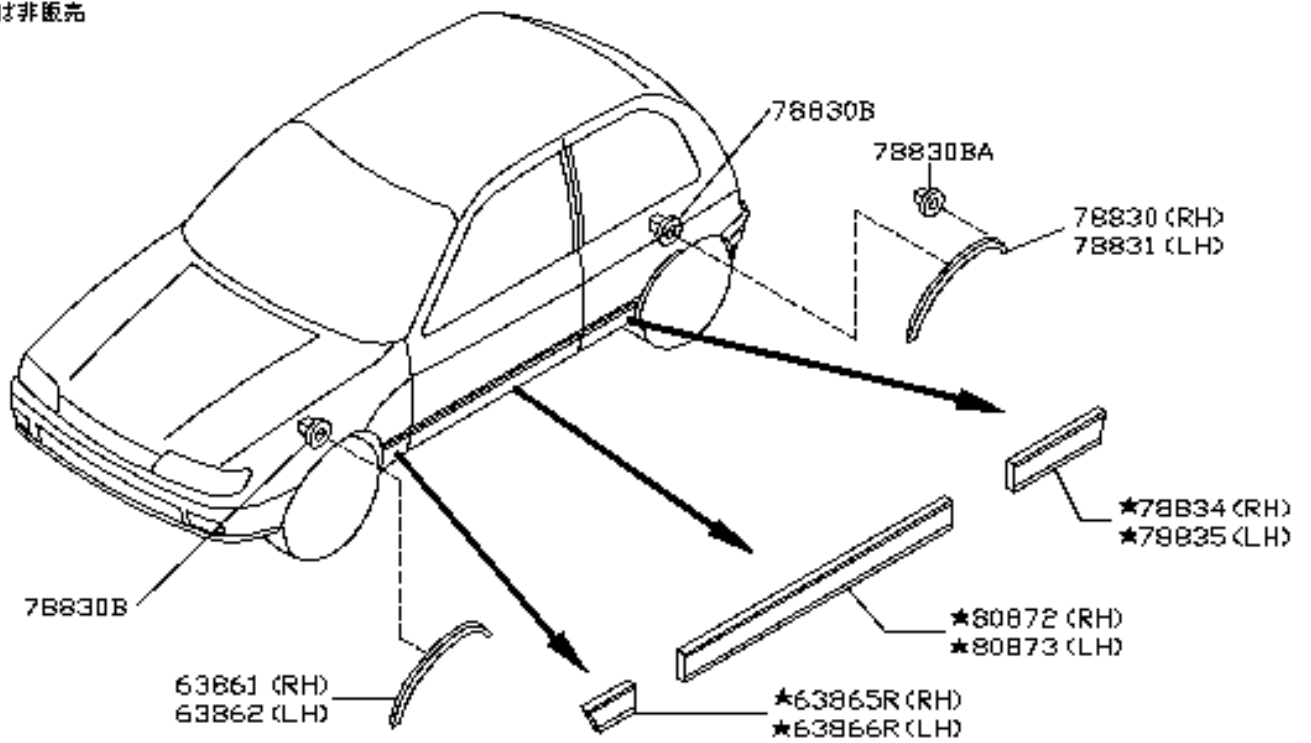


A760A 0158

[Back To Body Side](#)

Nissan Pulsar GTI-R - Body Side Mouldings

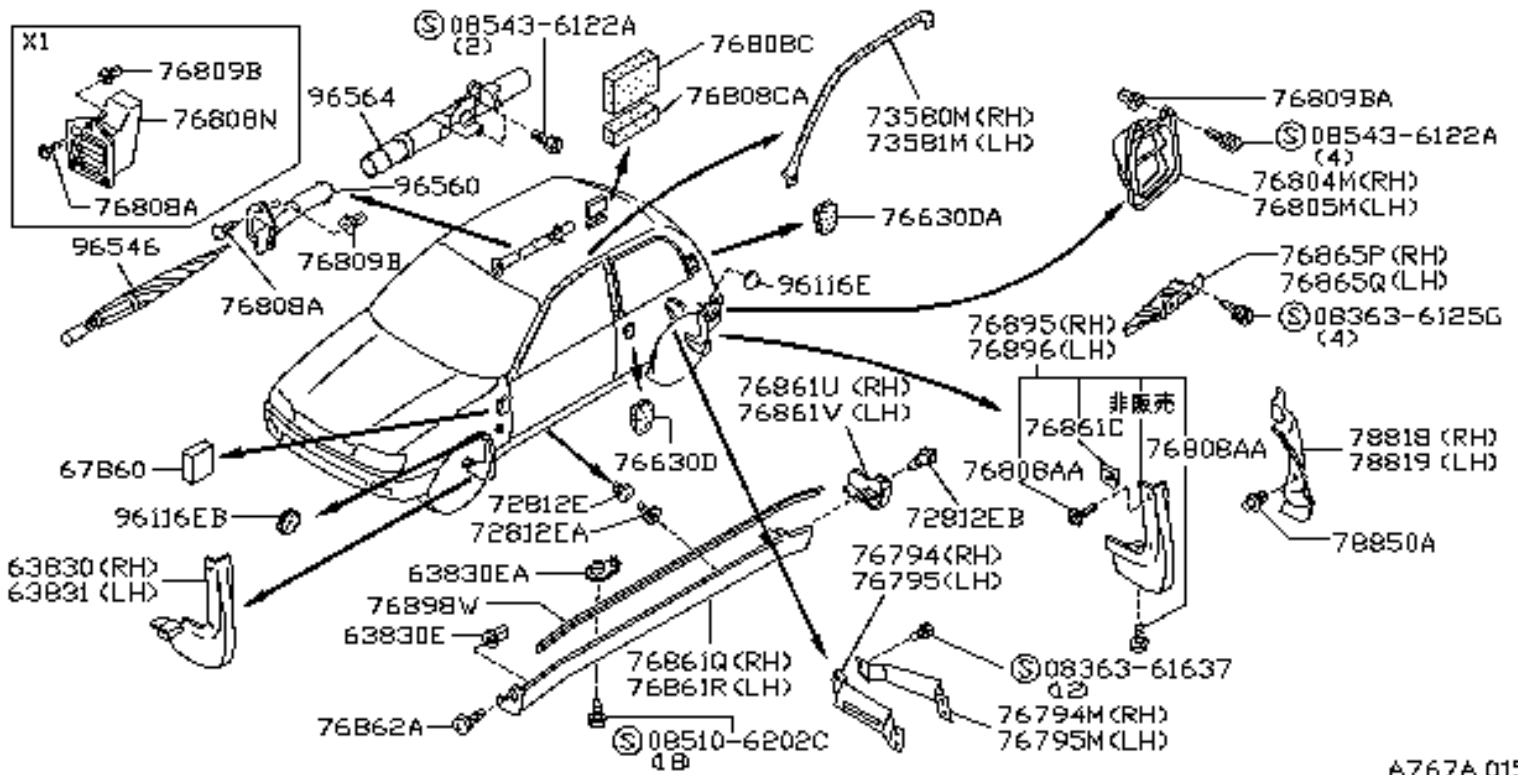
★印の構成部品は非販売



A766A 0069

[Back To Body Side](#)

Nissan Pulsar GTI-R - Body Side Fittings

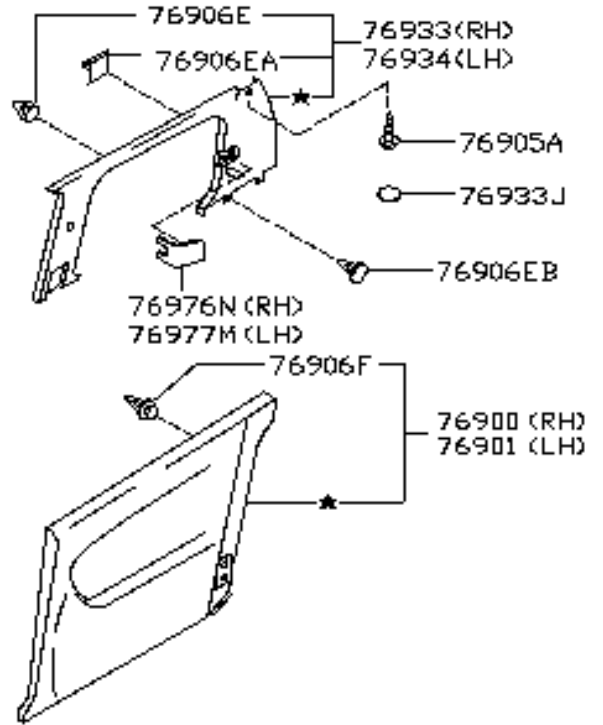
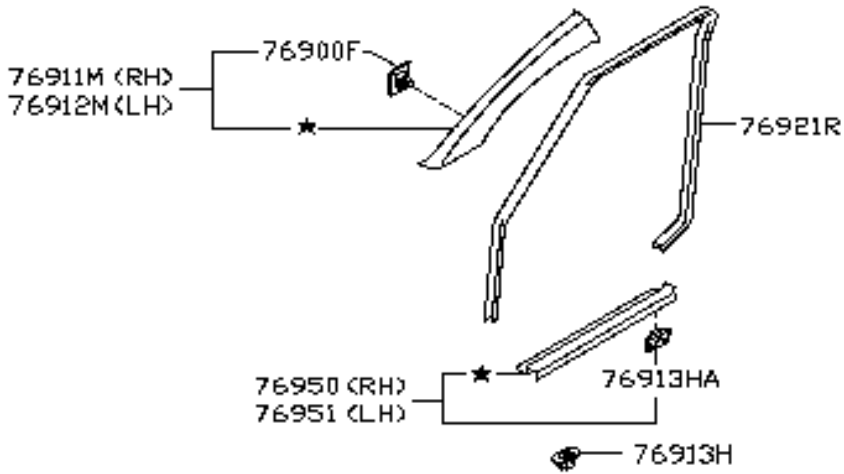


A767A 0150

[Back To Body Side](#)

Nissan Pulsar GTI-R - Body Side Trimmings

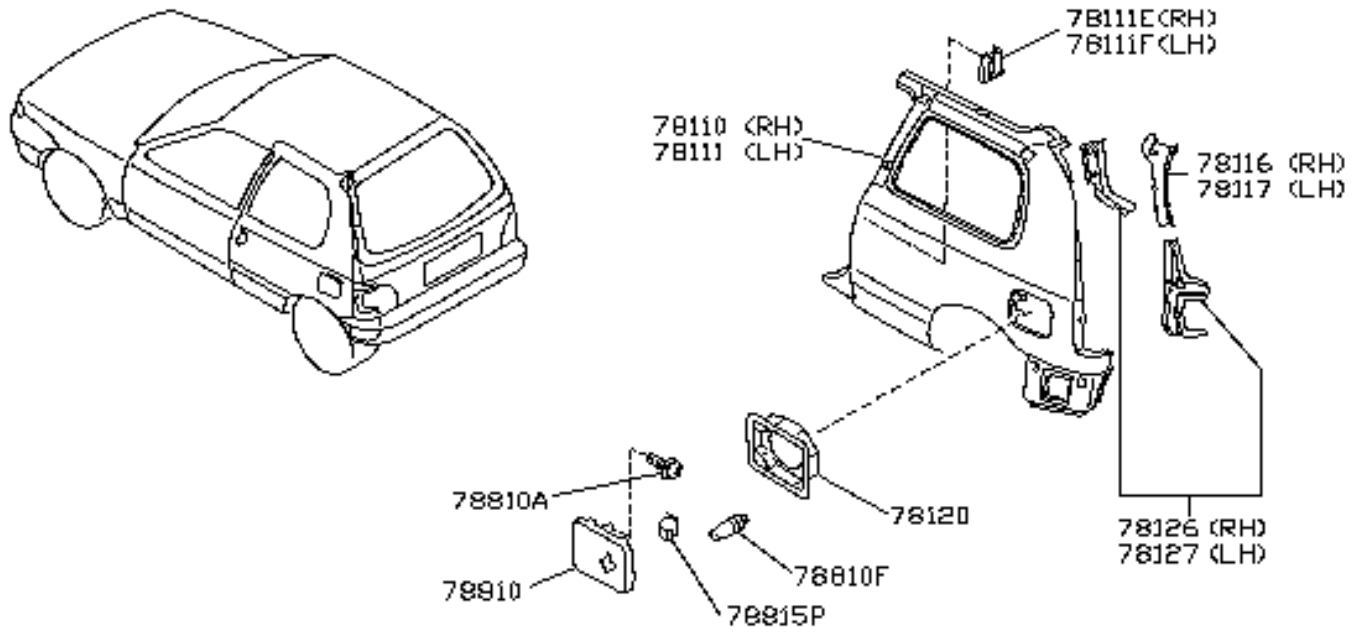
★ 印は非販売



A769B 0136

[Back To Body Side](#)

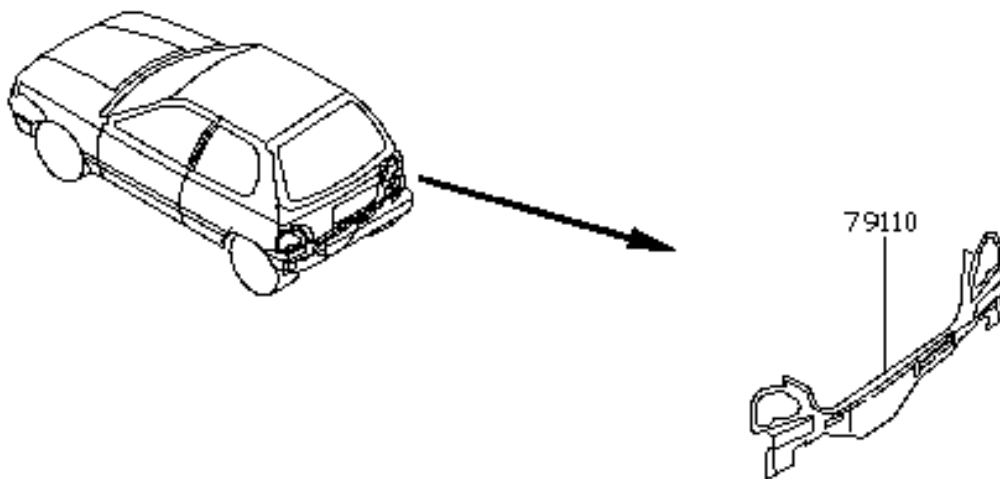
Nissan Pulsar GTI-R - Rear Wing



A780A 0129

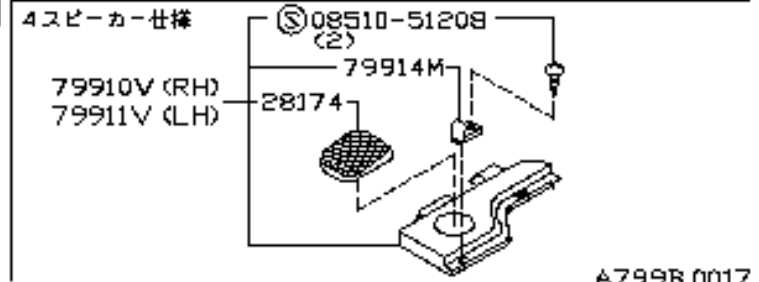
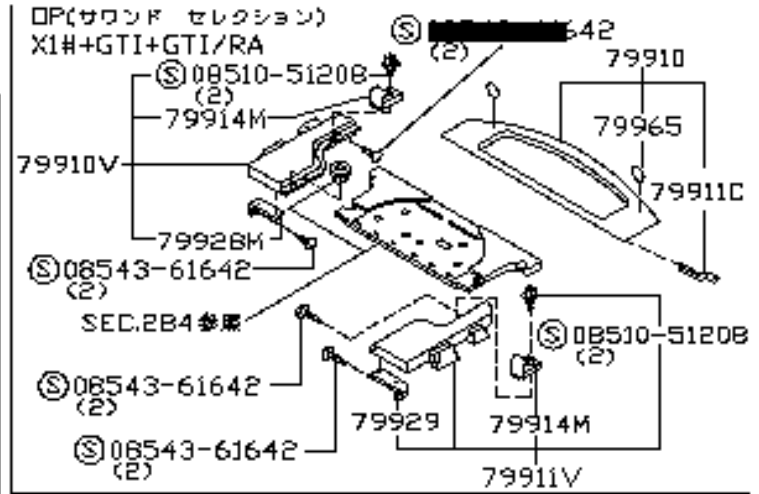
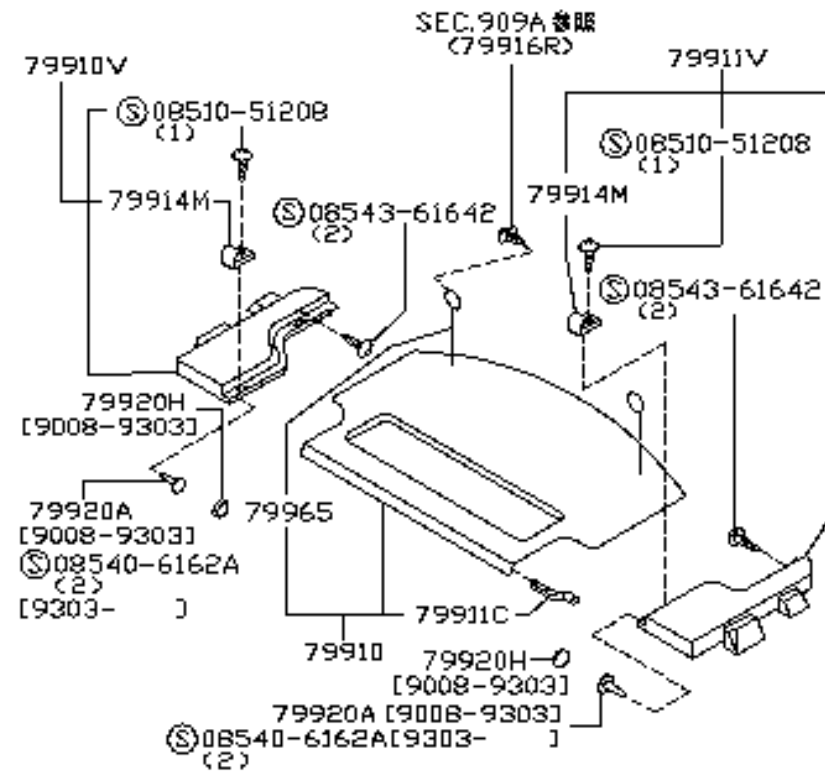
[Back To Body Side](#)

Nissan Pulsar GTI-R - Rear Panel



[Back To Body Side](#)

Nissan Pulsar GTI-R - Parcel Shelf



A799B 0017

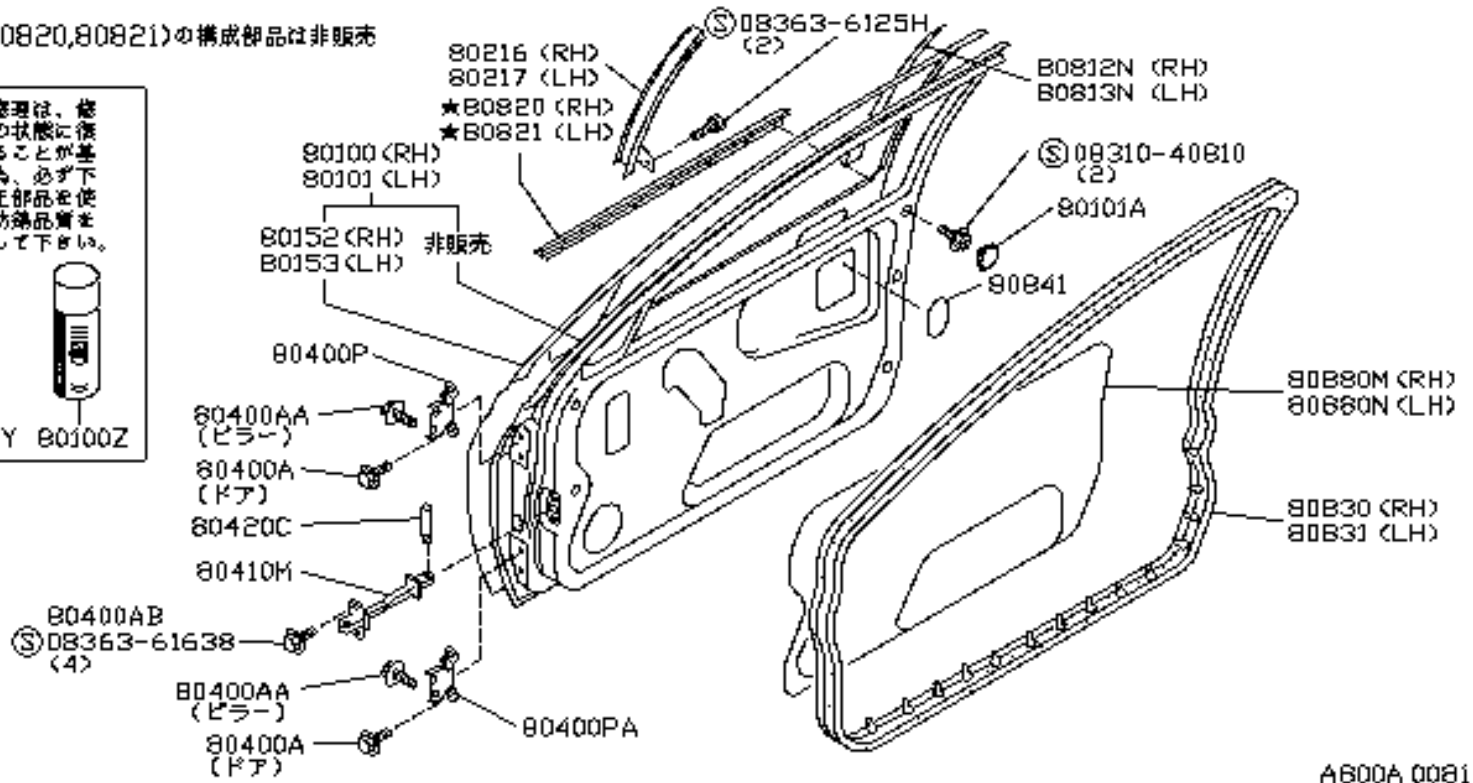
[Back To Body Side](#)

Nissan Pulsar GTI-R - Front Door

★印(80820,80821)の構成部品は非販売

車体修理は、修理前の状態に復元することが基本の為、必ず下記純正部品を使用し防錆品質を維持して下さい。

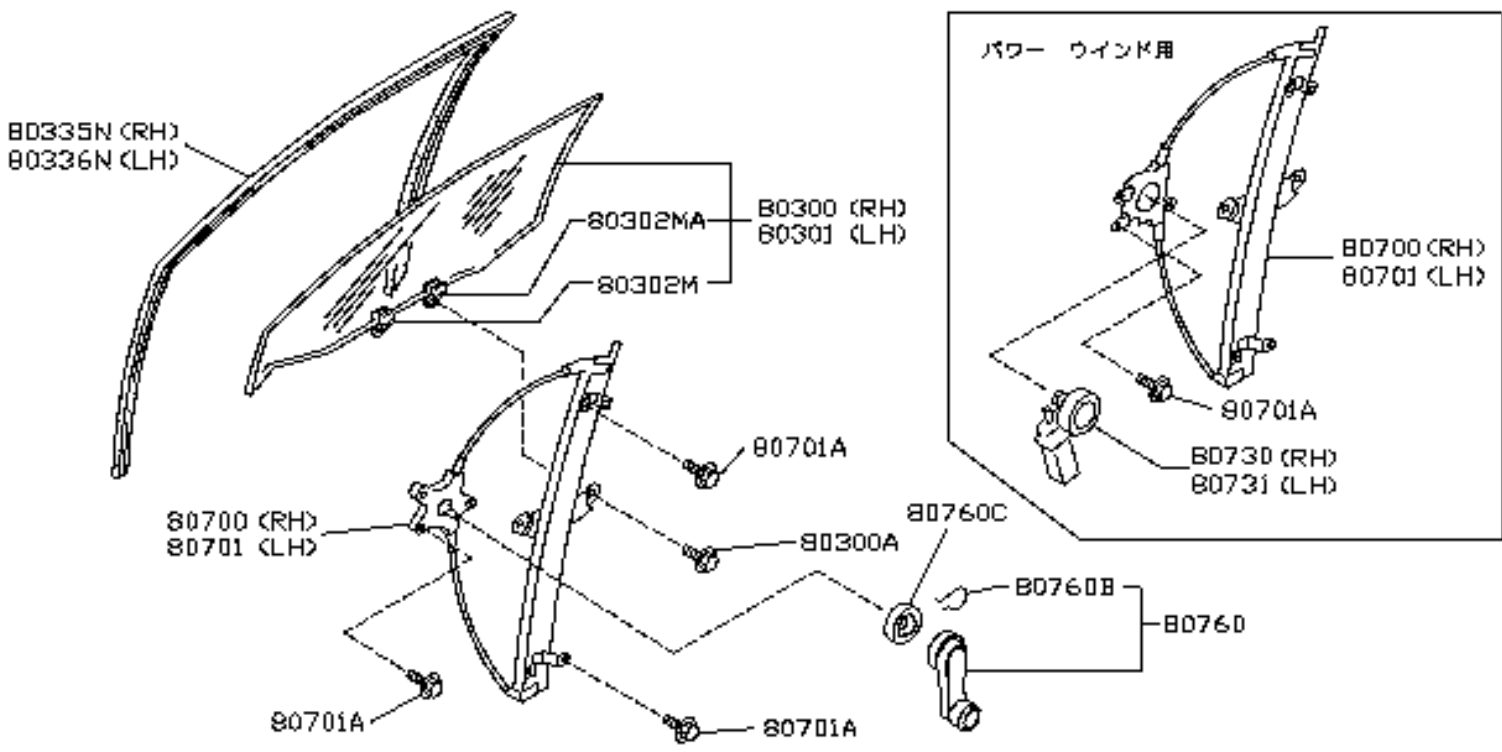
B0100Y B0100Z



A800A 0081

[Back To Body Side](#)

Nissan Pulsar GTI-R - Front Window

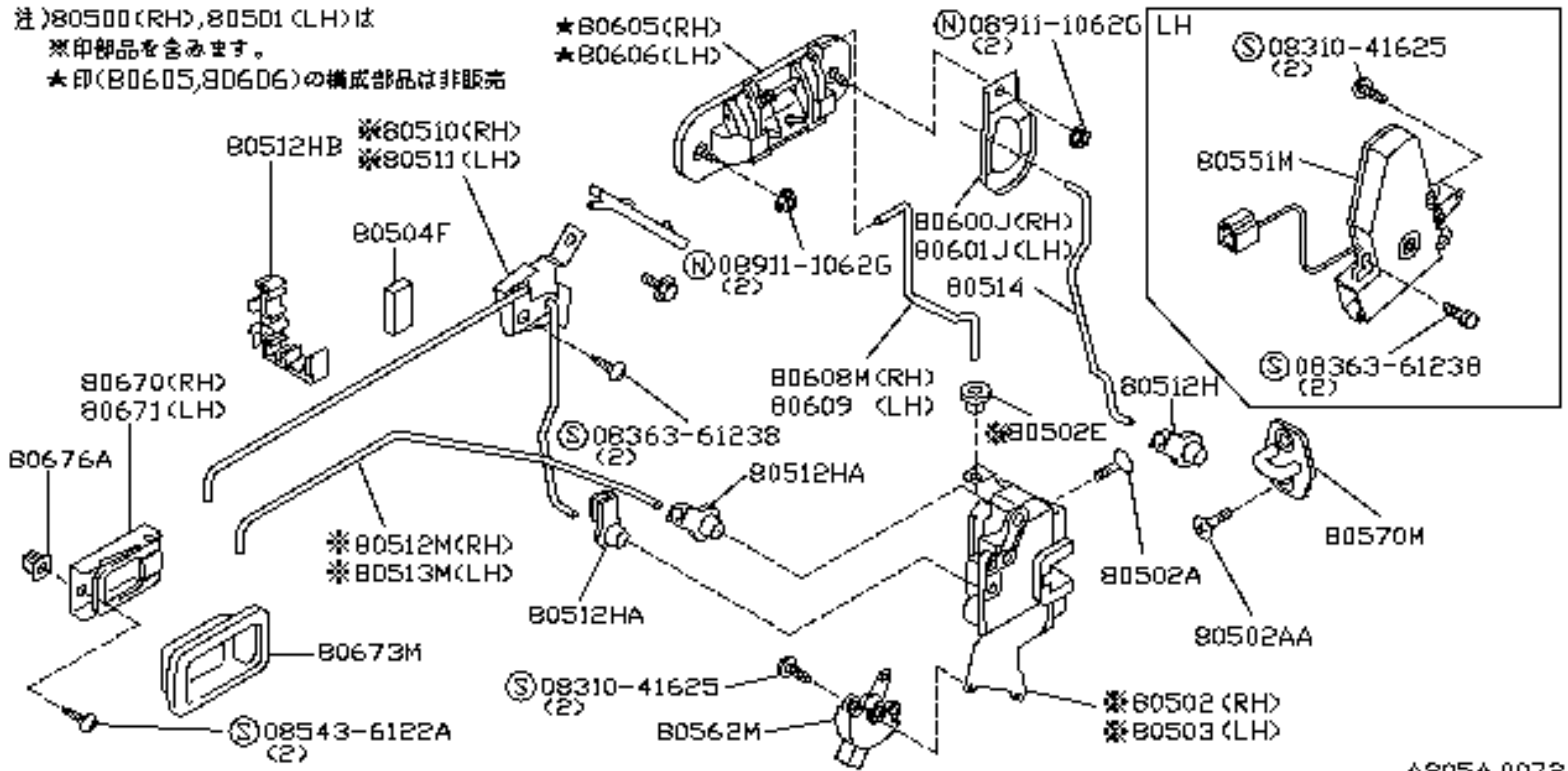


A803A 0075

[Back To Body Side](#)

Nissan Pulsar GTI-R - Front Door Lock & Handle

注)80500(RH),80501(LH)は
※印部品を含みます。
★印(80605,80606)の構成部品は非販売

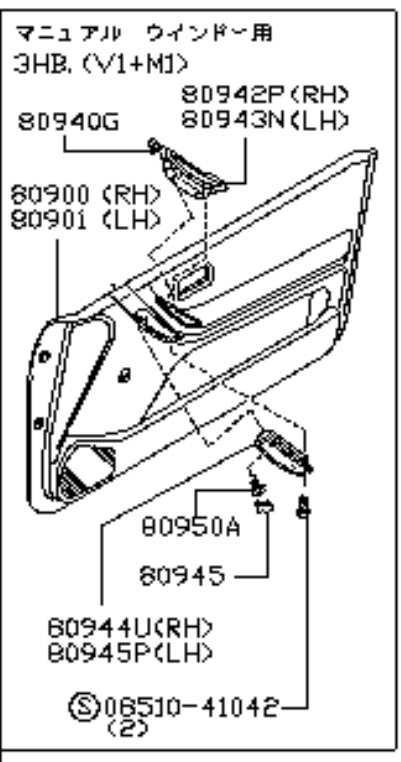
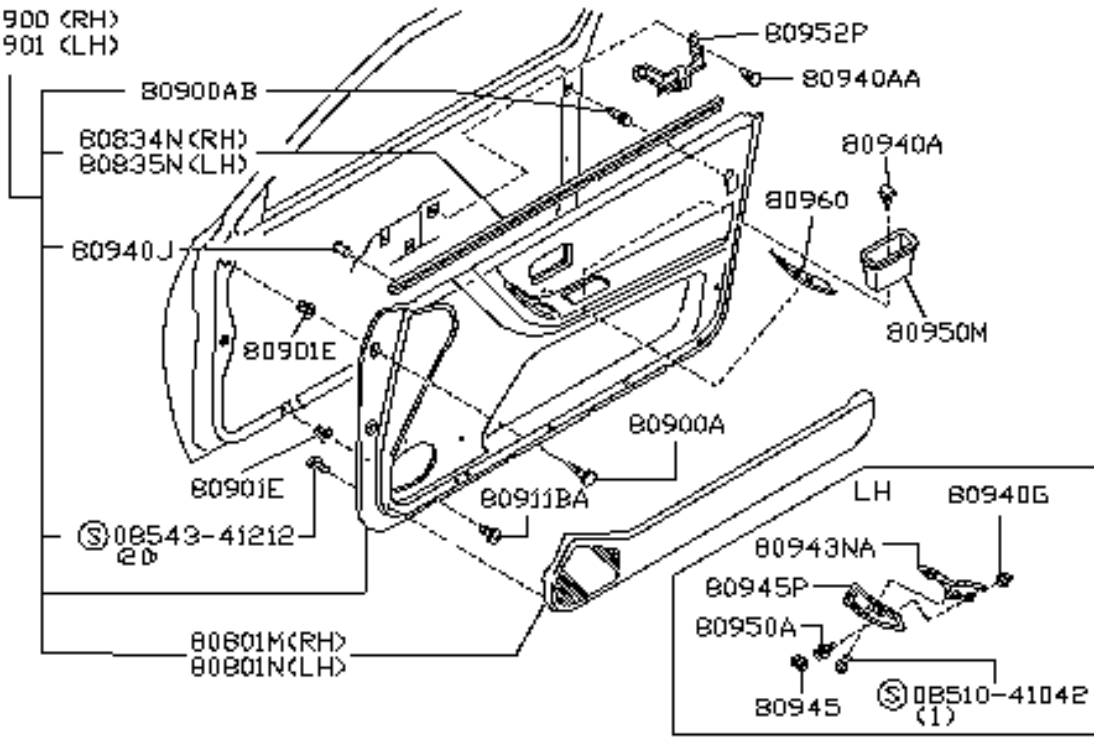


A805A 0072

[Back To Body Side](#)

Nissan Pulsar GTI-R - Front Door Trimmings

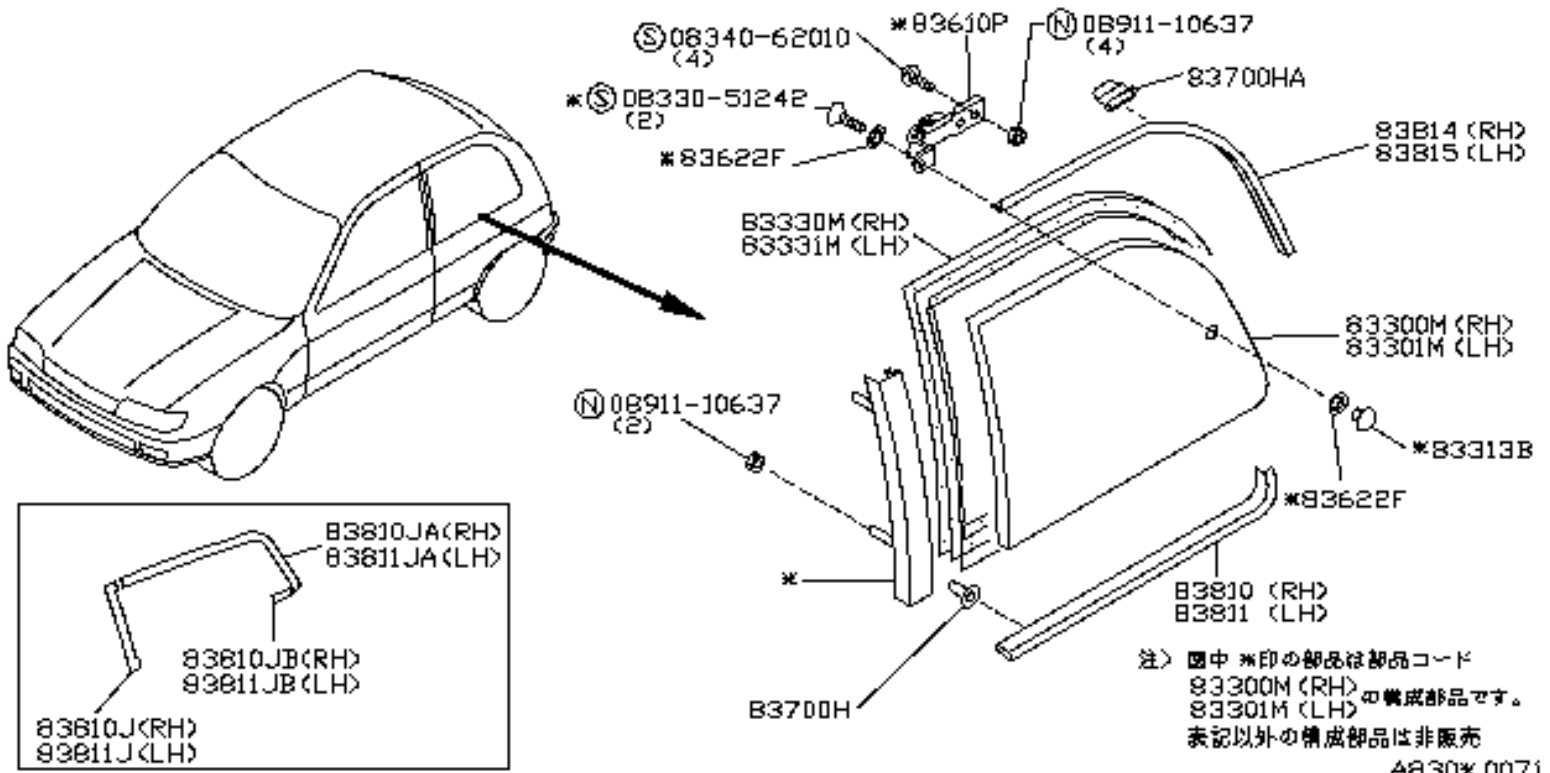
80900 (RH)
80901 (LH)



A809B 0069

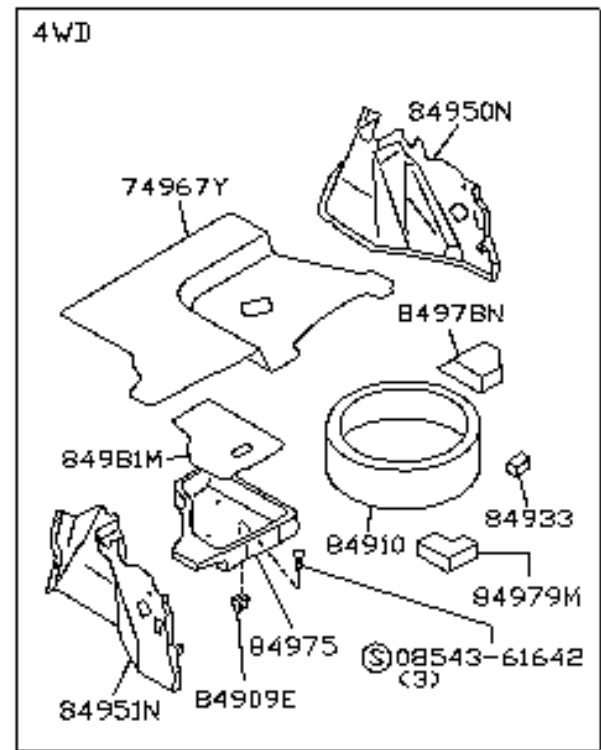
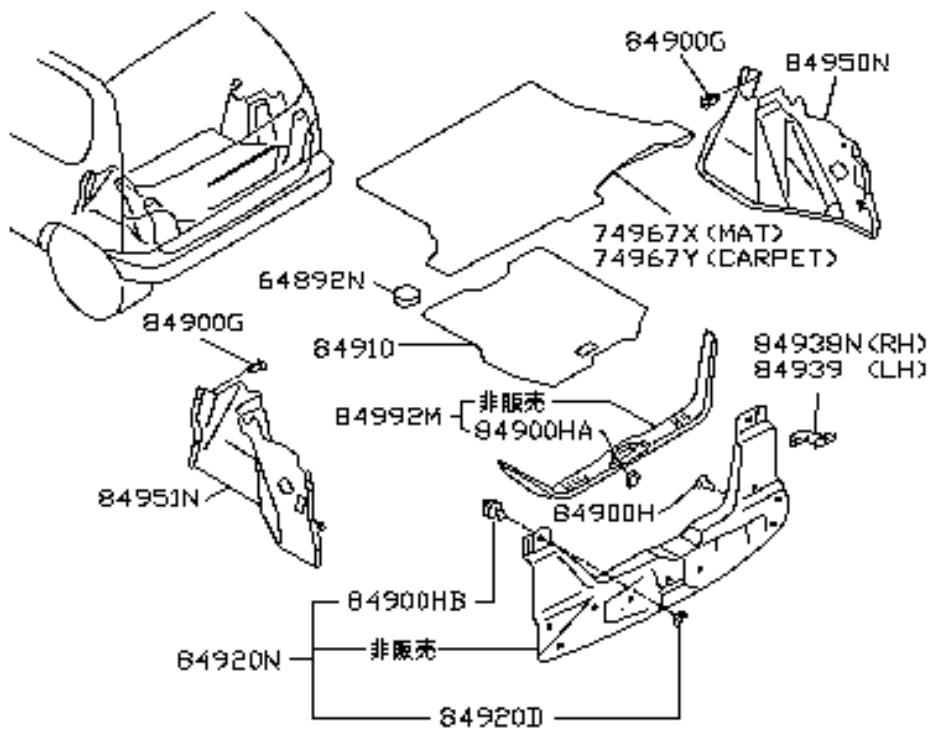
[Back To Body Side](#)

Nissan Pulsar GTI-R - Side Window



[Back To Body Side](#)

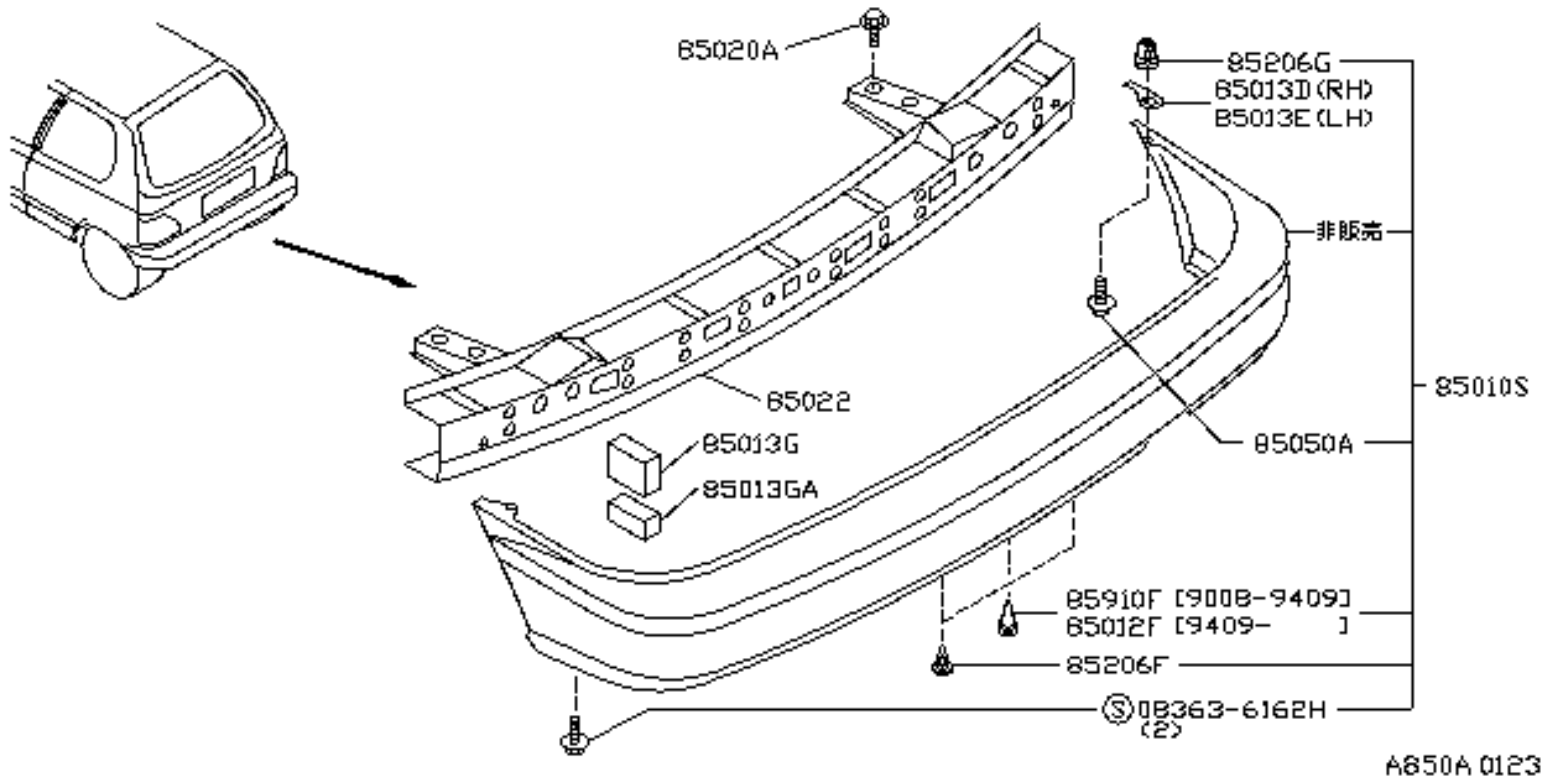
Nissan Pulsar GTI-R - Boot Fittings



AB49B 0074

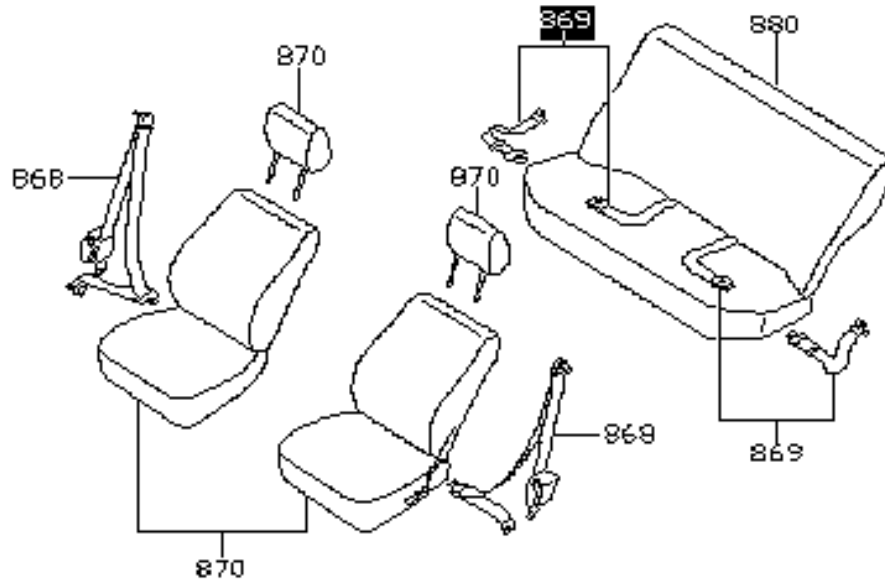
[Back To Body Side](#)

Nissan Pulsar GTI-R - Rear Bumper



[Back To Body Side](#)

Nissan Pulsar GTI-R - Seats



AL00ER0N14

Index

[Back To Main Menu](#)

868 - [Front Seat Belts](#)

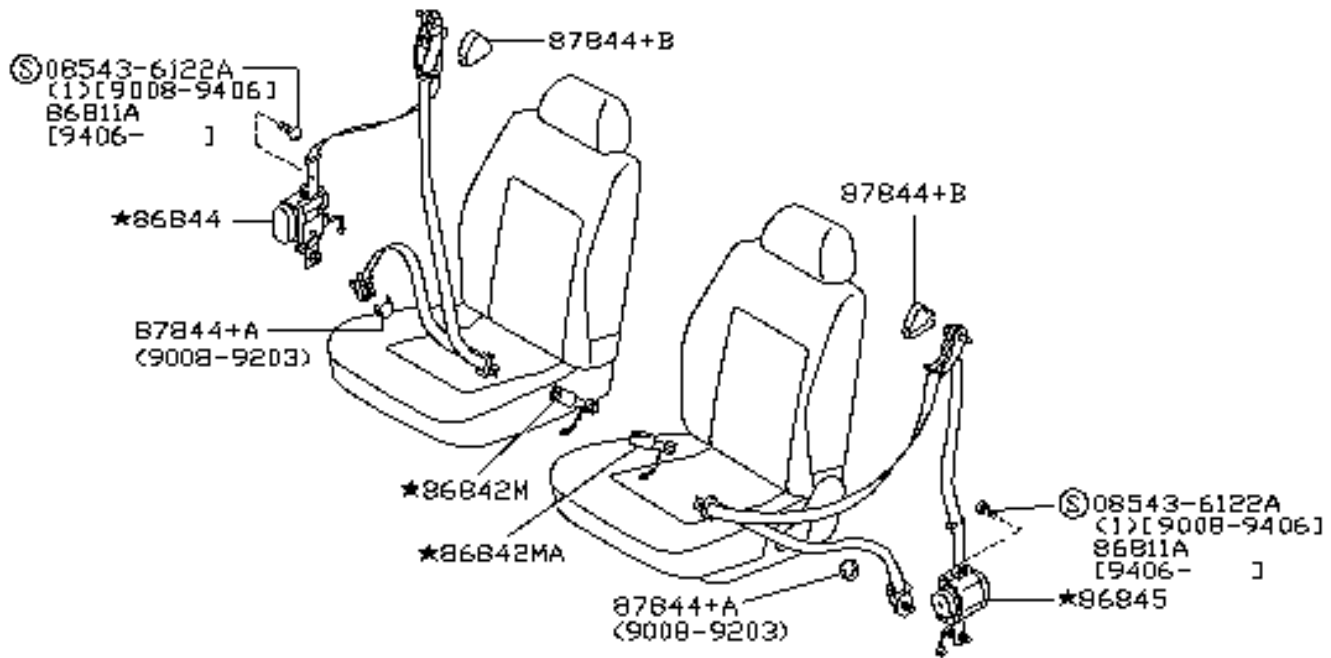
869 - [Rear Seat Belts](#)

870 - [Front Seats](#)

880 - [Rear Seats](#)

Nissan Pulsar GTI-R - Front Seat Belts

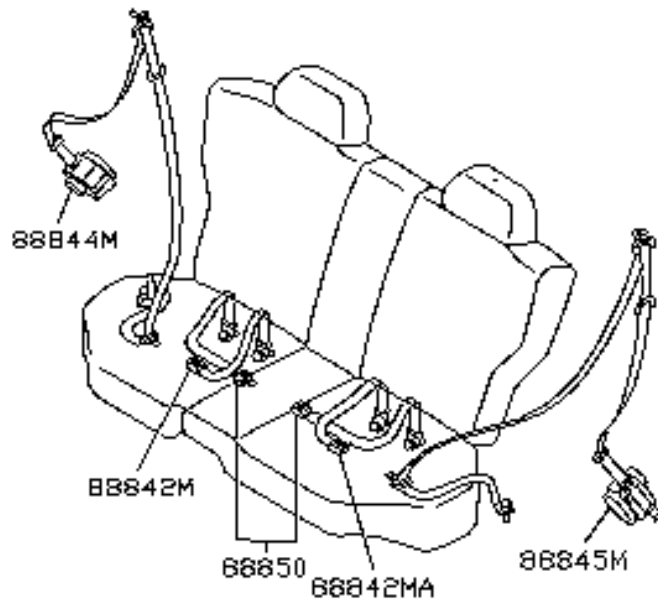
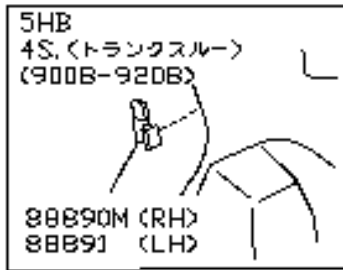
★ 印の構成部品は非販売



A668B 0028

[Back To Seats](#)

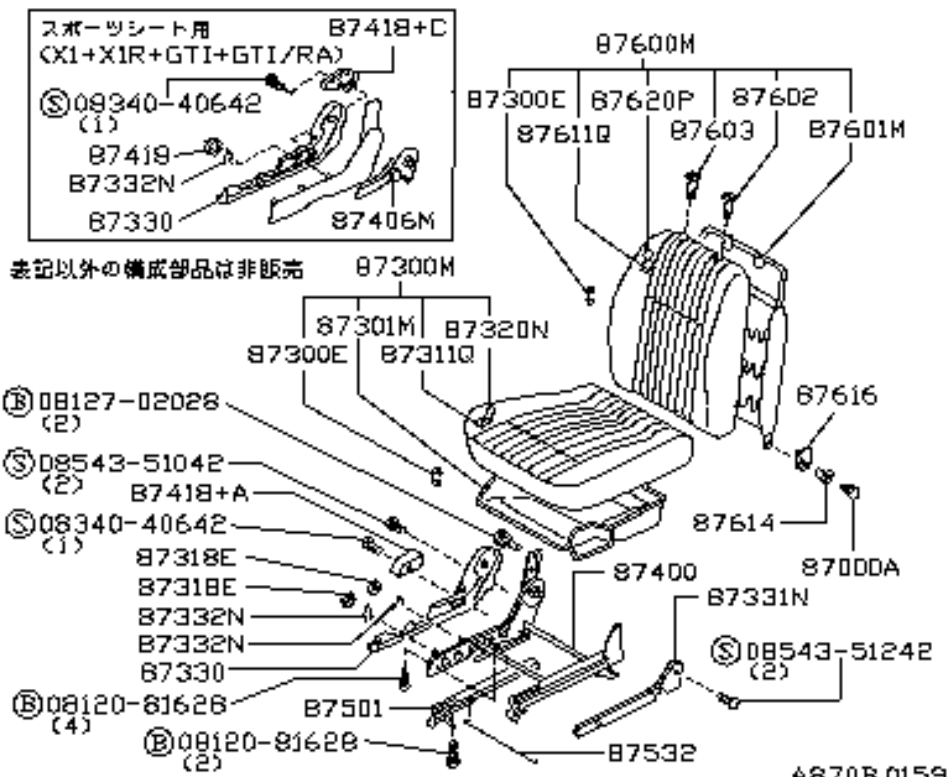
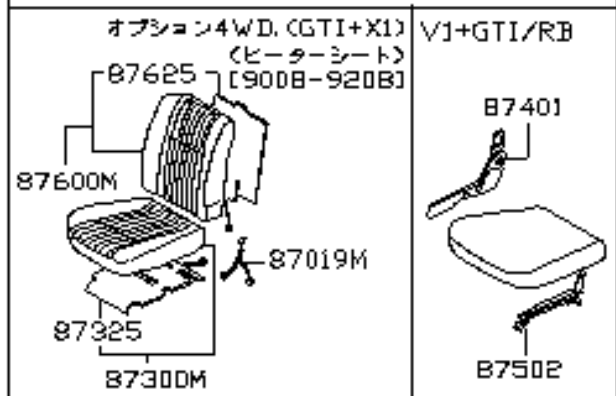
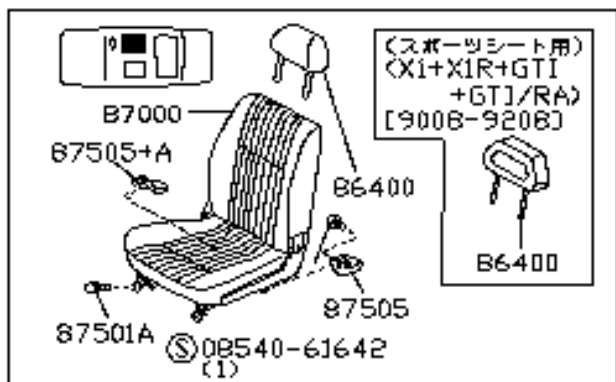
Nissan Pulsar GTI-R - Rear Seat Belts



A869* 0079

[Back To Seats](#)

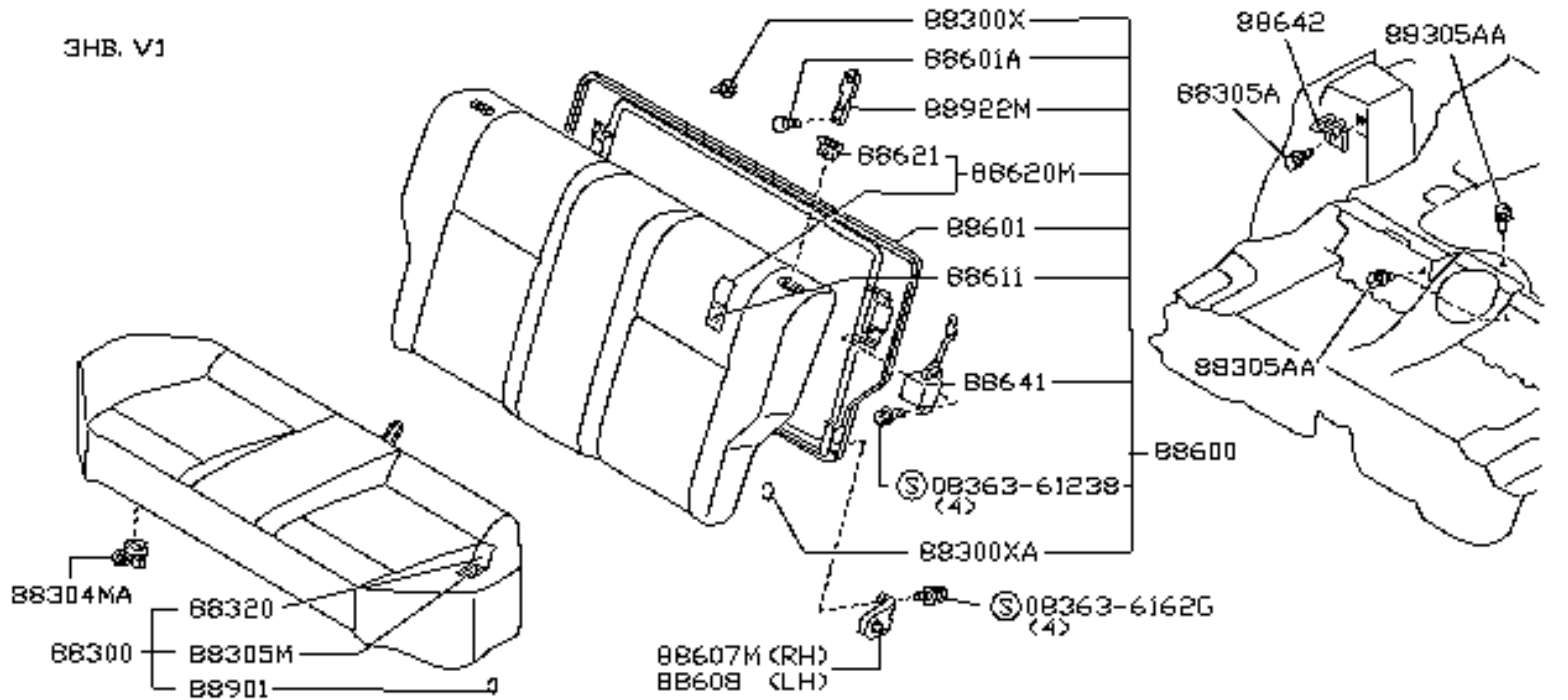
Nissan Pulsar GTI-R - Front Seats



A870B 0159

[Back To Seats](#)

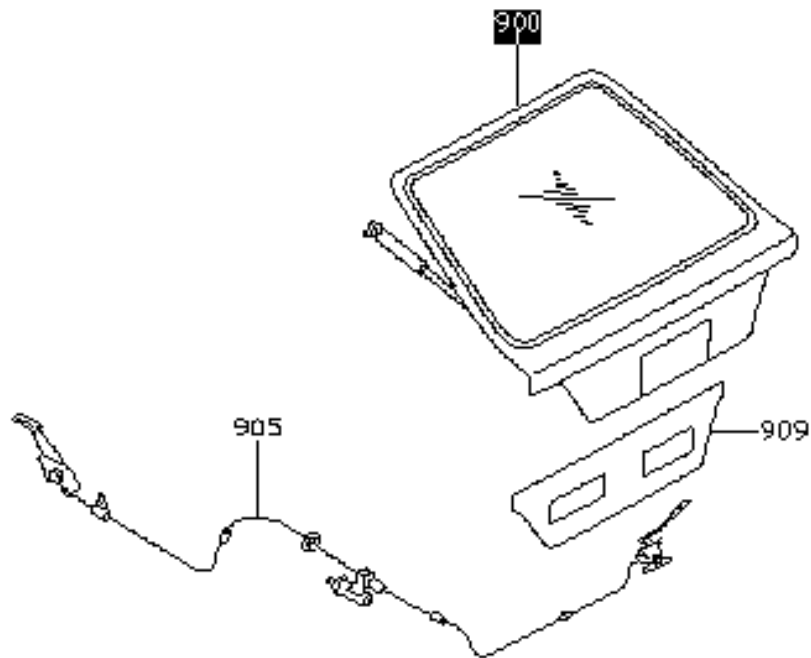
Nissan Pulsar GTI-R - Rear Seats



A880B 0120

[Back To Seats](#)

Nissan Pulsar GTI-R - Body Rear



AM00ER0N14

Index

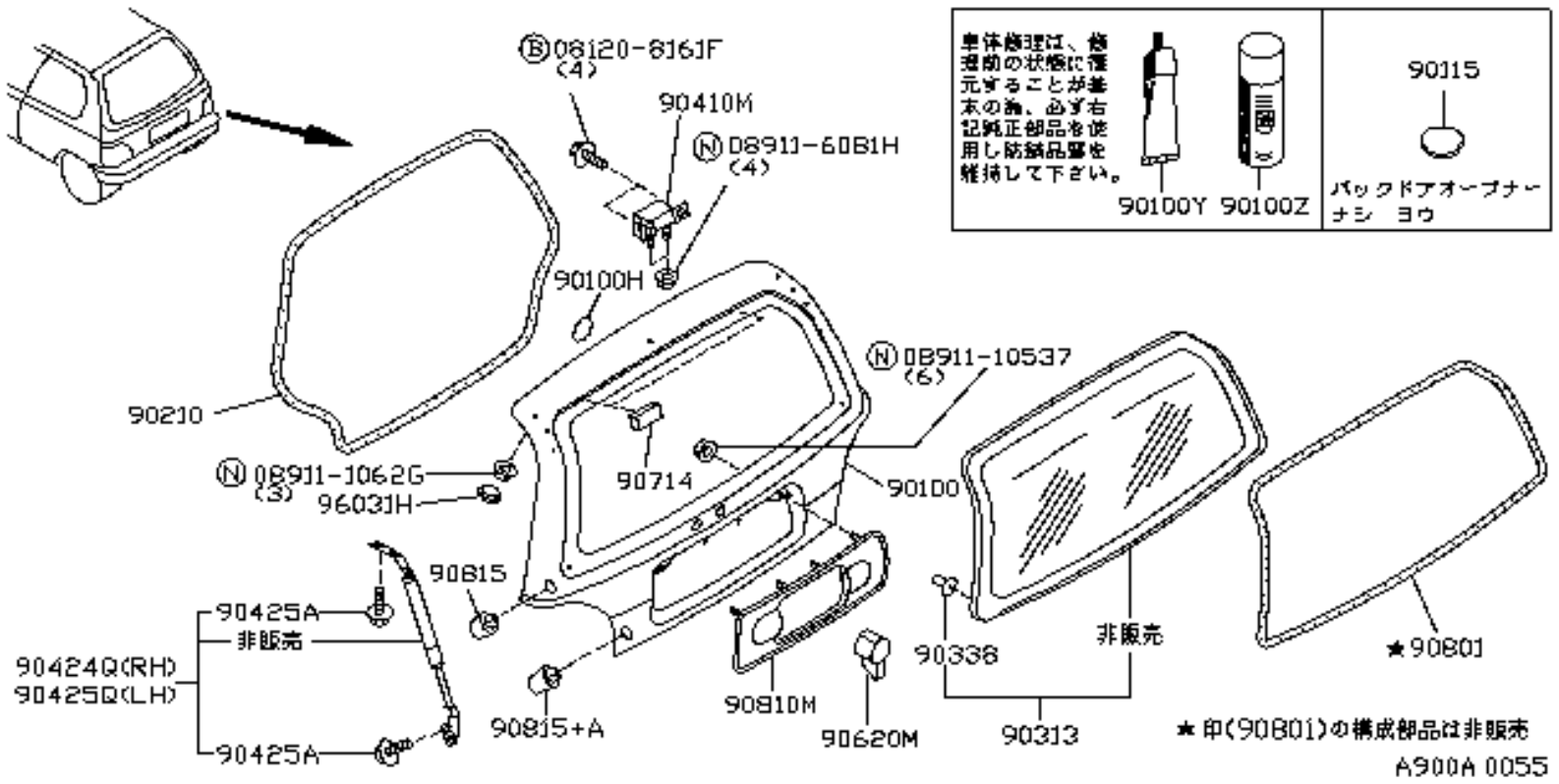
[Back To Main Menu](#)

900 - [Tailgate & Fittings](#)

905 - [Tailgate Lock & Handle](#)

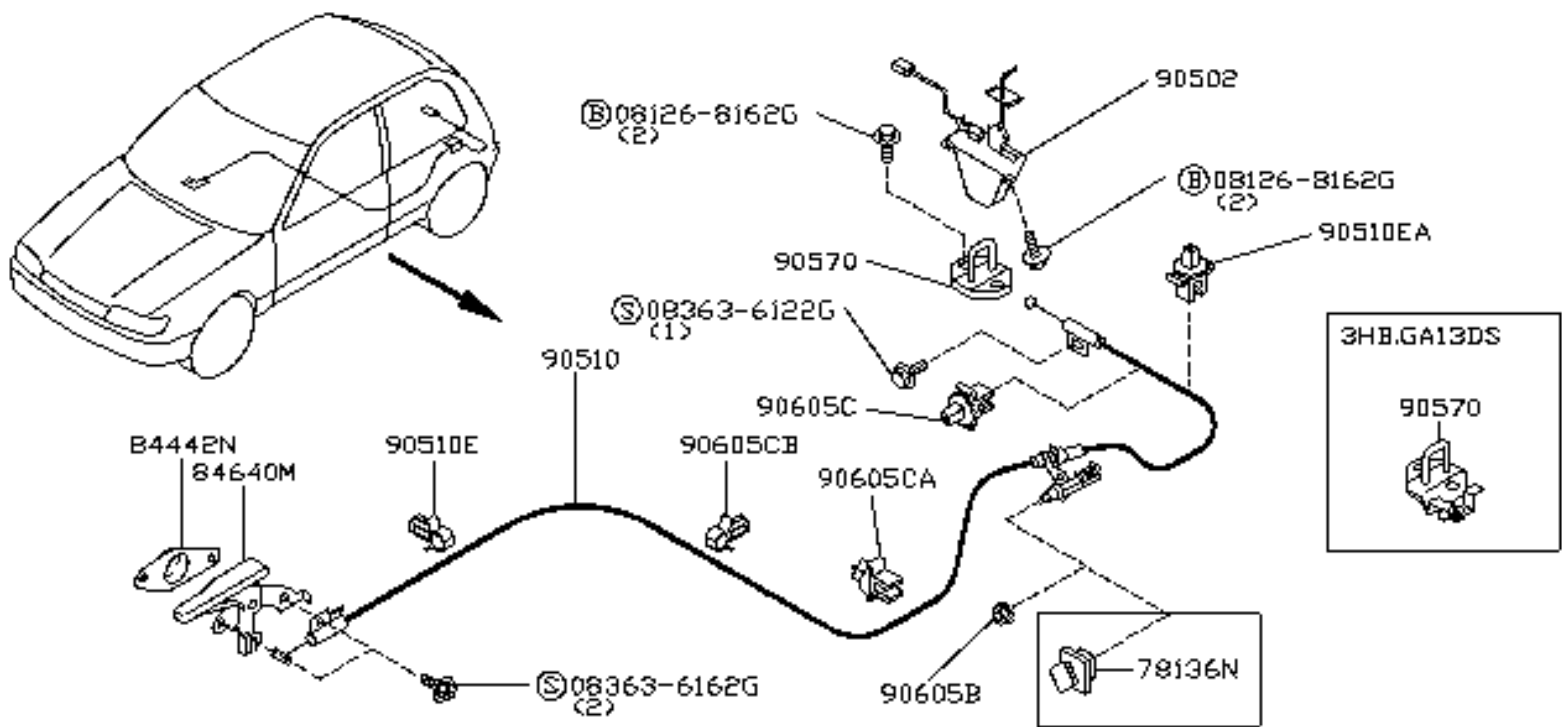
909 - [Tailgate Trimmings](#)

Nissan Pulsar GTI-R - Tailgate



[Back To Body Rear](#)

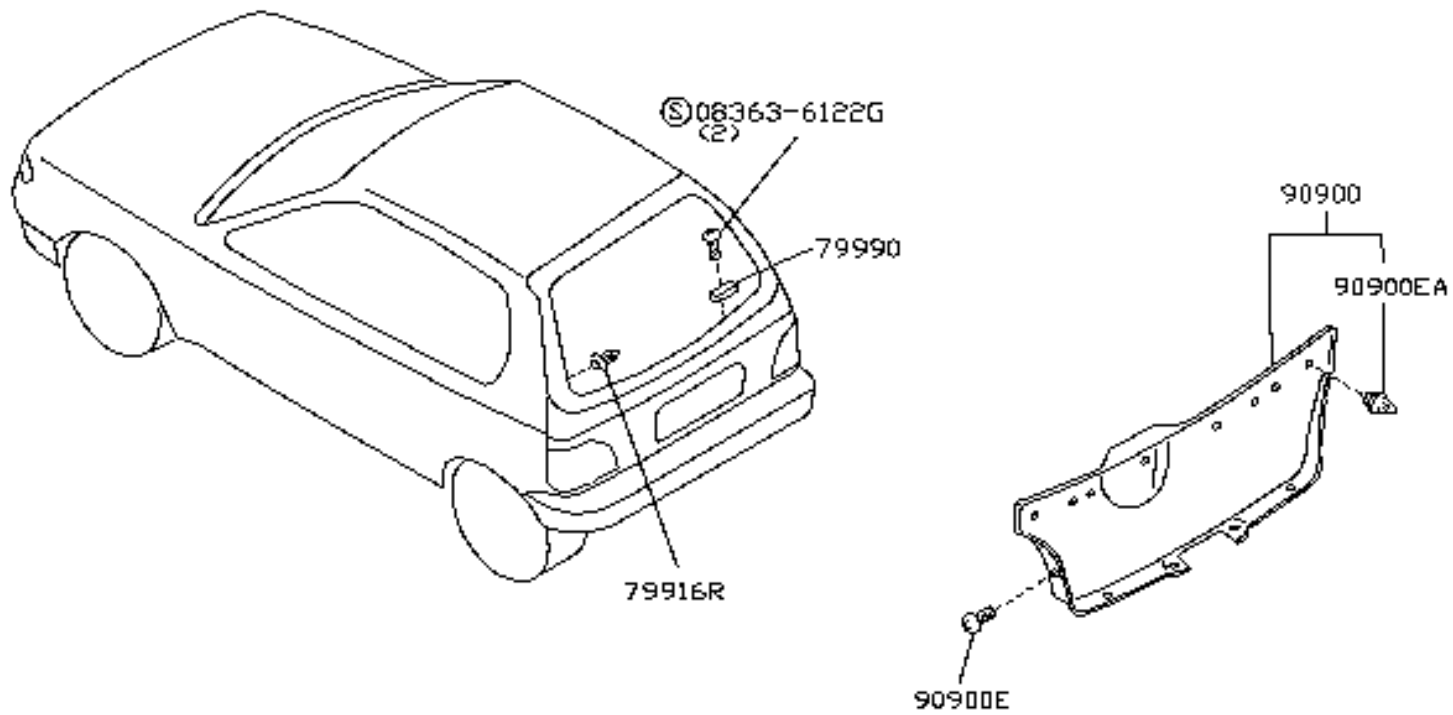
Nissan Pulsar GTI-R - Tailgate Lock & Handle



A905A 0028

[Back To Body Rear](#)

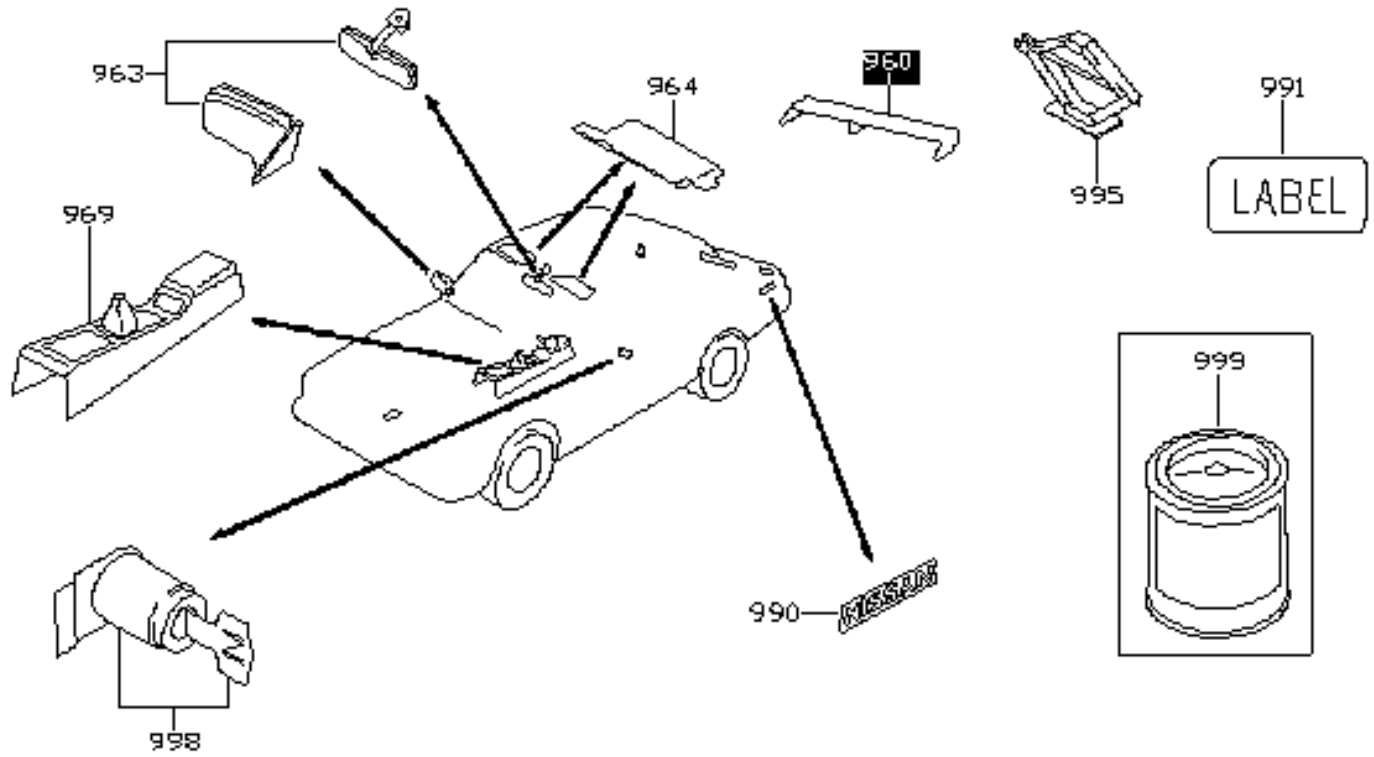
Nissan Pulsar GTI-R - Tailgate Trimmings



A909A 0040

[Back To Body Rear](#)

Nissan Pulsar GTI-R - Miscellaneous



AN00ER0N14

Index

[Back To Main Menu](#)

960 - [Rear Spoiler](#)

963 - [Wing Mirrors](#)

964 - [Sun Visors](#)

969 - [Console Box](#)

990 - [Emblems](#)

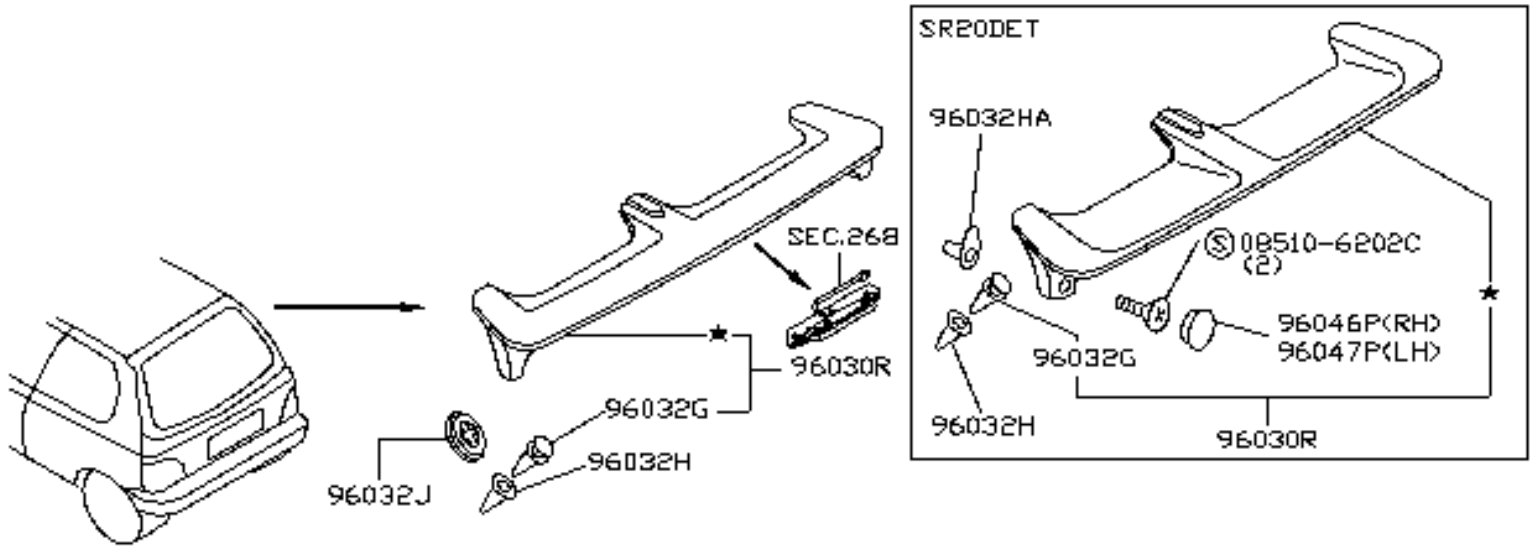
995 - [Tool Kit](#)

991 - [Caution Labels](#)

998 - [Keys](#)

Nissan Pulsar GTI-R - Rear Spoiler

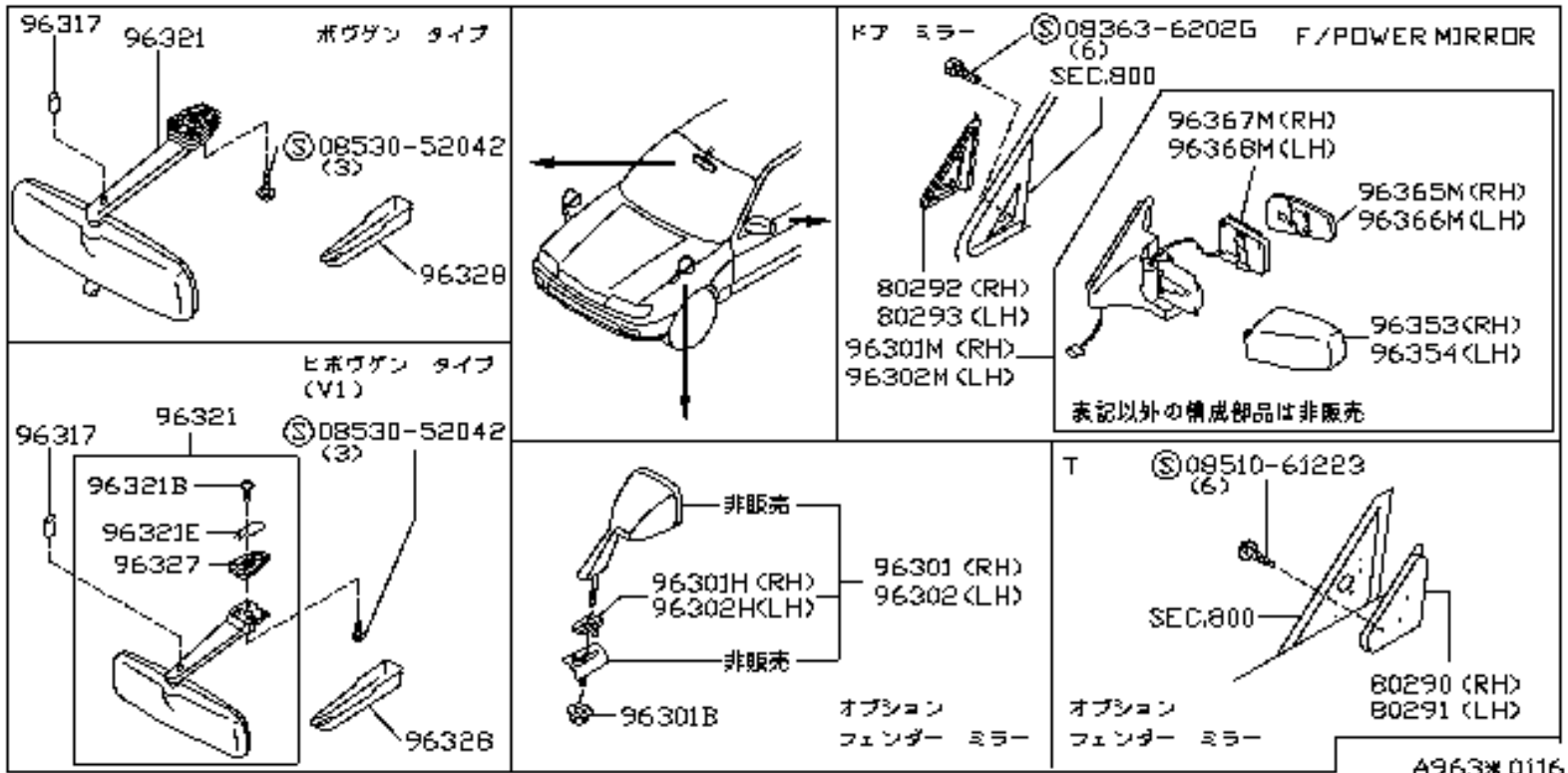
★印は非販売



A960A 0003

[Back To Miscellaneous](#)

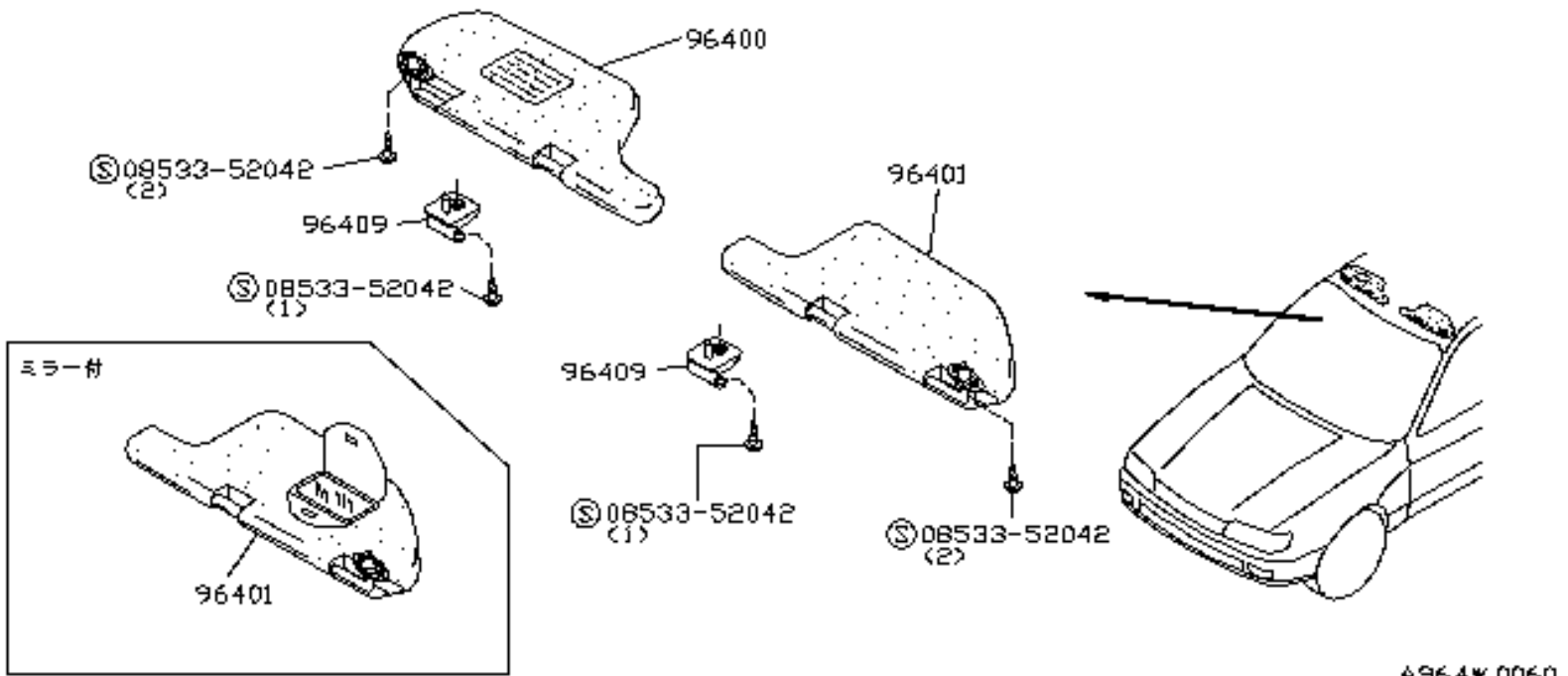
Nissan Pulsar GTI-R - Wing Mirrors



A963*0116

[Back To Miscellaneous](#)

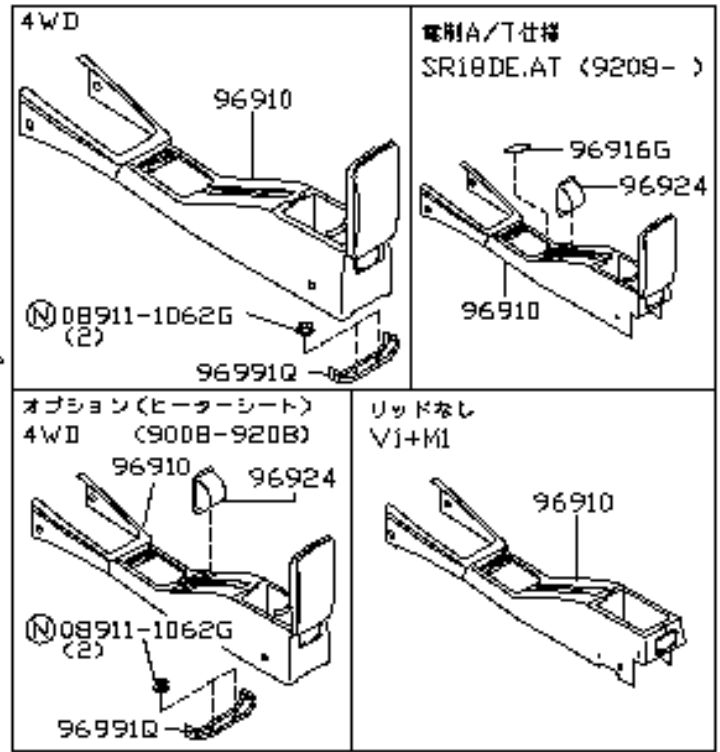
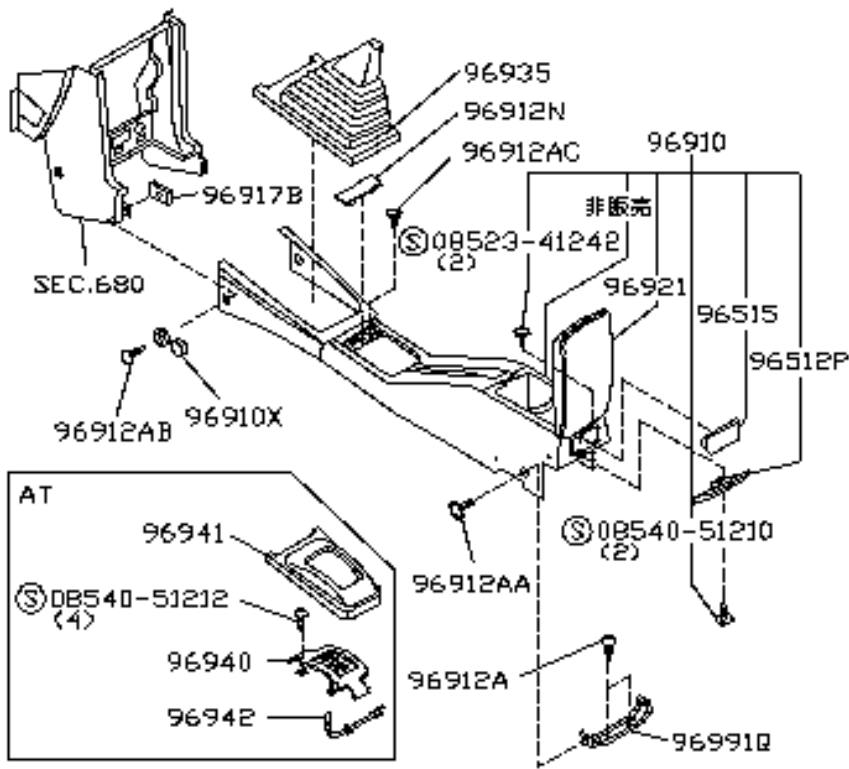
Nissan Pulsar GTI-R - Sun Visors



A964* 0060

[Back To Miscellaneous](#)

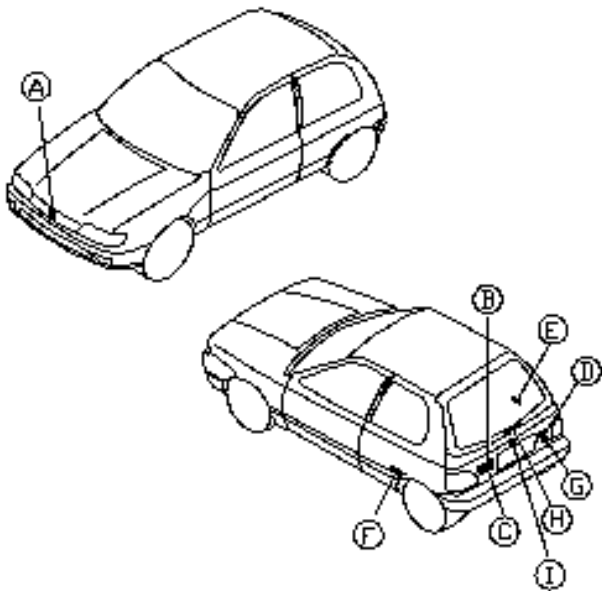
Nissan Pulsar GTI-R - Console Box



A969* 0083

[Back To Miscellaneous](#)

Nissan Pulsar GTI-R - Emblems



(H) 84815V

SUPER FINE COATING

Rollatan

(A) 62311 [9008-9208] 62311 [9208-]



(D) 84815



(B) 84815

PULSAR

(E) 78801M

4WD ABS

(C) 84815 [9008-9208]

NISSAN

(F) 78801M

ABS 4WD

(G)



(E) (F) 78801M

4WD

ABS

GTI-R用のオーテックのエンブレムはオーテックジャパンに注文願います。
(P/NO.99099-0A507)

(I)

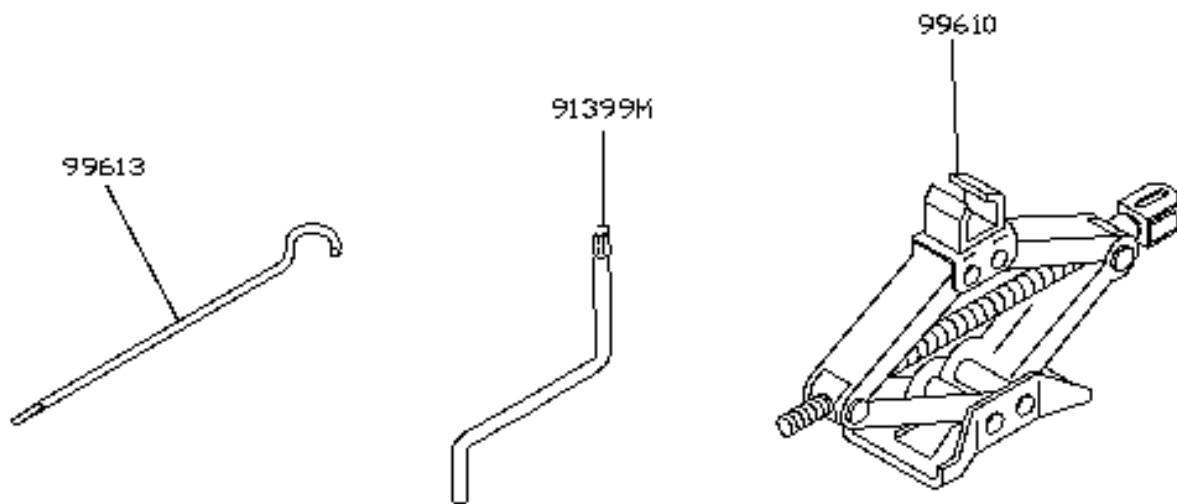


84815 [9208-]

A990A 0069

[Back To Miscellaneous](#)

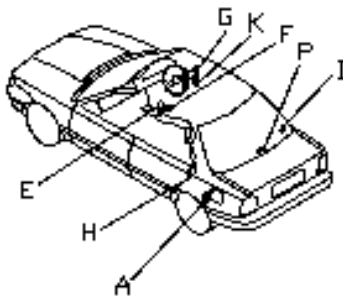
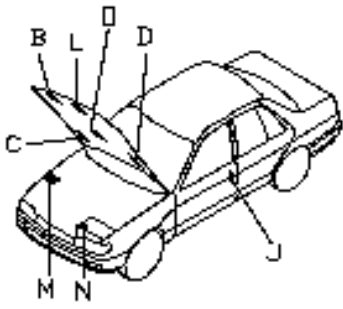
Nissan Pulsar GTI-R - Tool Kit



A995* 0109

[Back To Miscellaneous](#)

Nissan Pulsar GTI-R - Caution Labels

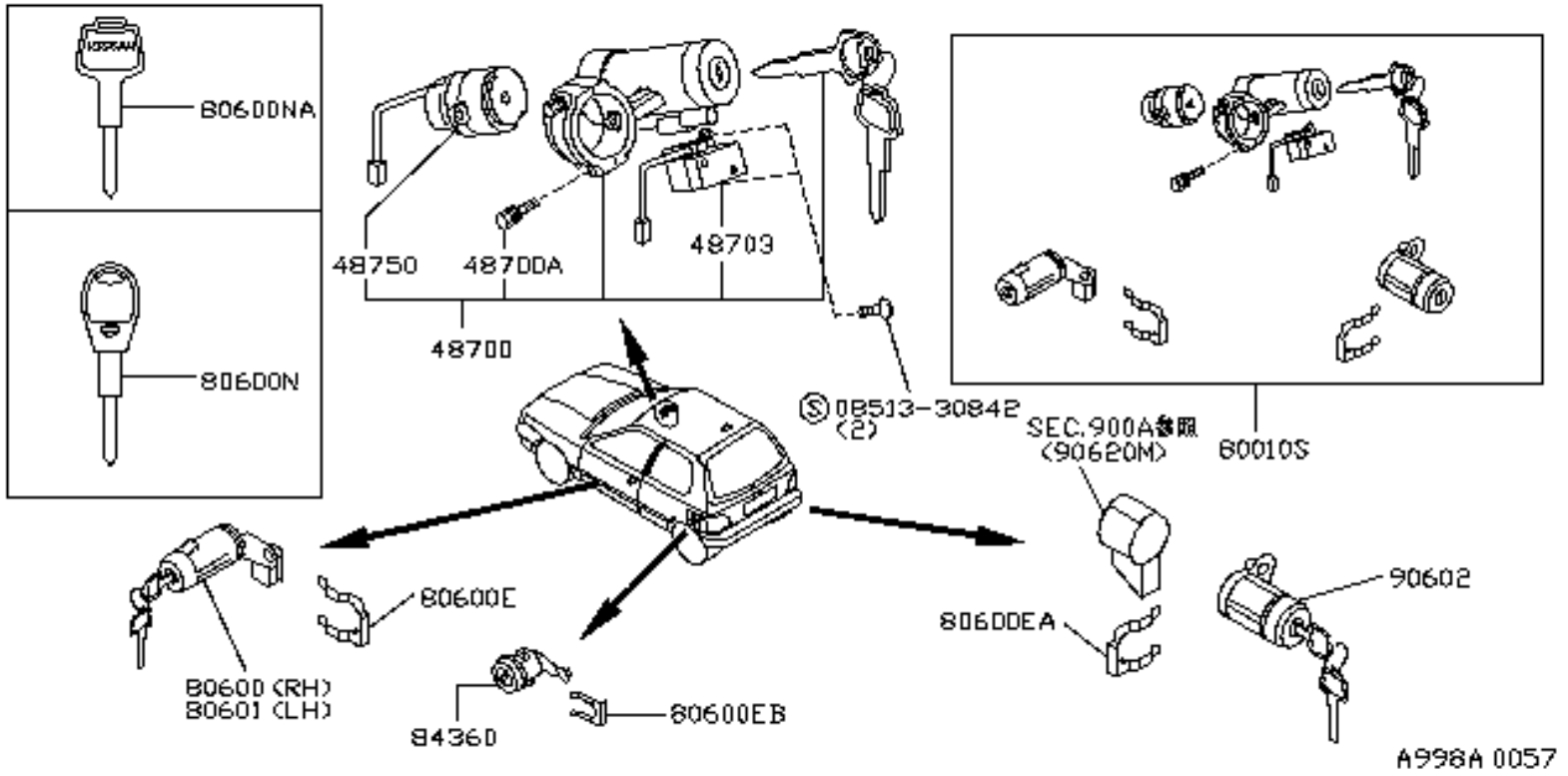


<p>A</p> <p>14807M</p> <p>14807M</p>	<p>D</p> <p>1480B</p>	<p>G</p> <p>99072M</p>	<p>K</p> <p>14405</p>	
<p>B</p> <p>98595U</p>	<p>E</p> <p>34991</p>	<p>H</p> <p>81912P</p>	<p>L</p> <p>22304</p>	
<p>C</p> <p>22195</p>	<p>F</p> <p>34991M</p>	<p>I</p> <p>96906</p>	<p>M</p> <p>98595UA</p>	<p>O</p> <p>99053</p>
		<p>J</p> <p>99090</p>	<p>N</p> <p>24410J</p>	<p>P</p> <p>84815X</p>

A991* 0109

[Back To Miscellaneous](#)

Nissan Pulsar GTI-R - Keys



[Back To Miscellaneous](#)

User Guide.



The aim of this on-line parts identification system:

- Easy identification of the required parts
- Where each part is located on your vehicle
- Break down of complex parts
- To eliminate parts ordered in error
- To help us talk you through, what parts you may require.

Pulsar GTI-R

The diagrams are from a 1992 Pulsar GTI-R Japanese model with air con and ABS, which is by far the most popular model produced. However most of the diagrams will still be relevant to all models, including the Rally edition.

R33 Skyline GTR

The diagrams are taken from a 1996 R33 GTR V-Spec. Not even Nissan dealers have access to these technical diagrams, this is the first time that they have been seen out side of Japan. The diagrams are the exact same ones used by Nissan dealers in Japan, but presented in a user-friendly environment.

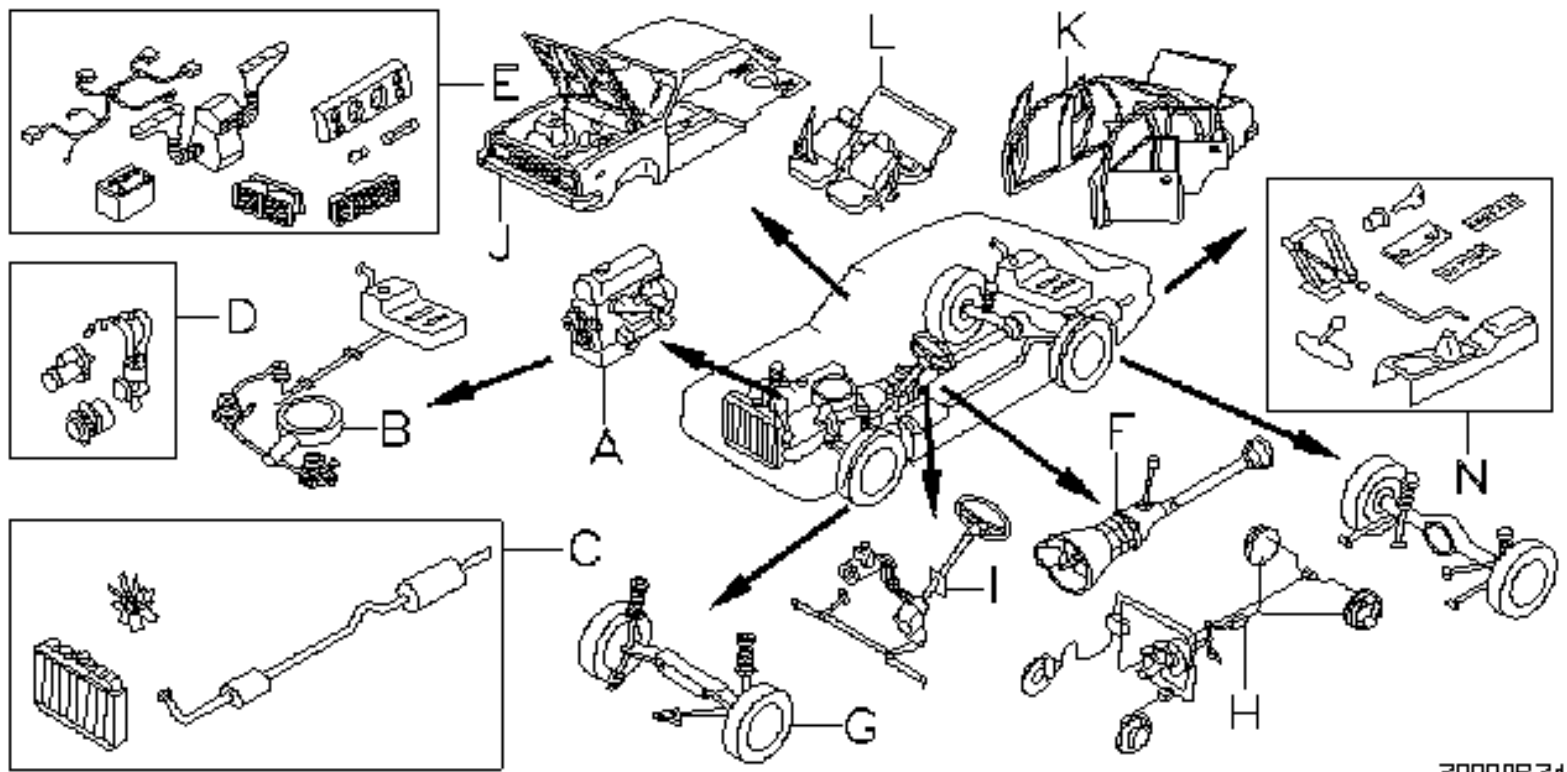
How To Use The Part Codes

Each part has a part code next to it, these are NOT part numbers. Only by combining the part code and the exact details from your vehicle can we identify the correct part numbers. For example part code 62228 (Tow eye cover) has seven different part numbers, depending all color and year of the vehicle. Once you have identified which part codes are required, simply E-mail, phone or use our [order form](#) with the part codes and full chassis number.

[Back To The Skyline On-Line Catalogue](#)

[Back To The GTI-R On-Line Catalogue](#)

Nissan Skyline R33 - Main Menu



2000R34

Index

- A - [Engine Mechanical](#)
- B - [Fuel & Engine Control](#)
- C - [Exhaust & Cooling](#)
- D - [Engine Electrical](#)
- E - [Body Electrical](#)
- F - [Power Train](#)
- G - [Axle & Suspension](#)
- H - [Brakes](#)
- I - [Steering](#)
- J - [Body Front](#)
- K - [Body Side & Rear](#)
- L - [Seats](#)
- N - [Miscellaneous](#)

USER GUIDE

Nissan Skyline R33 - Engine Mechanical

[Index](#)

[Back To Main Menu](#)

101 - [Bare & Short Engine](#)

102 - [Engine Gasket Set](#)

110 - [Cylinder Block & Sump](#)

111 - [Cylinder Head & Rocker Cover](#)

112 - [Engine Mountings](#)

117 - [Drive Belts](#)

118 - [Crankcase Ventilation](#)

120 - [Pistons, Crankshaft & Flywheel](#)

130 - [Camshaft & Valve Mechanism](#)

135 - [Front Cover](#)

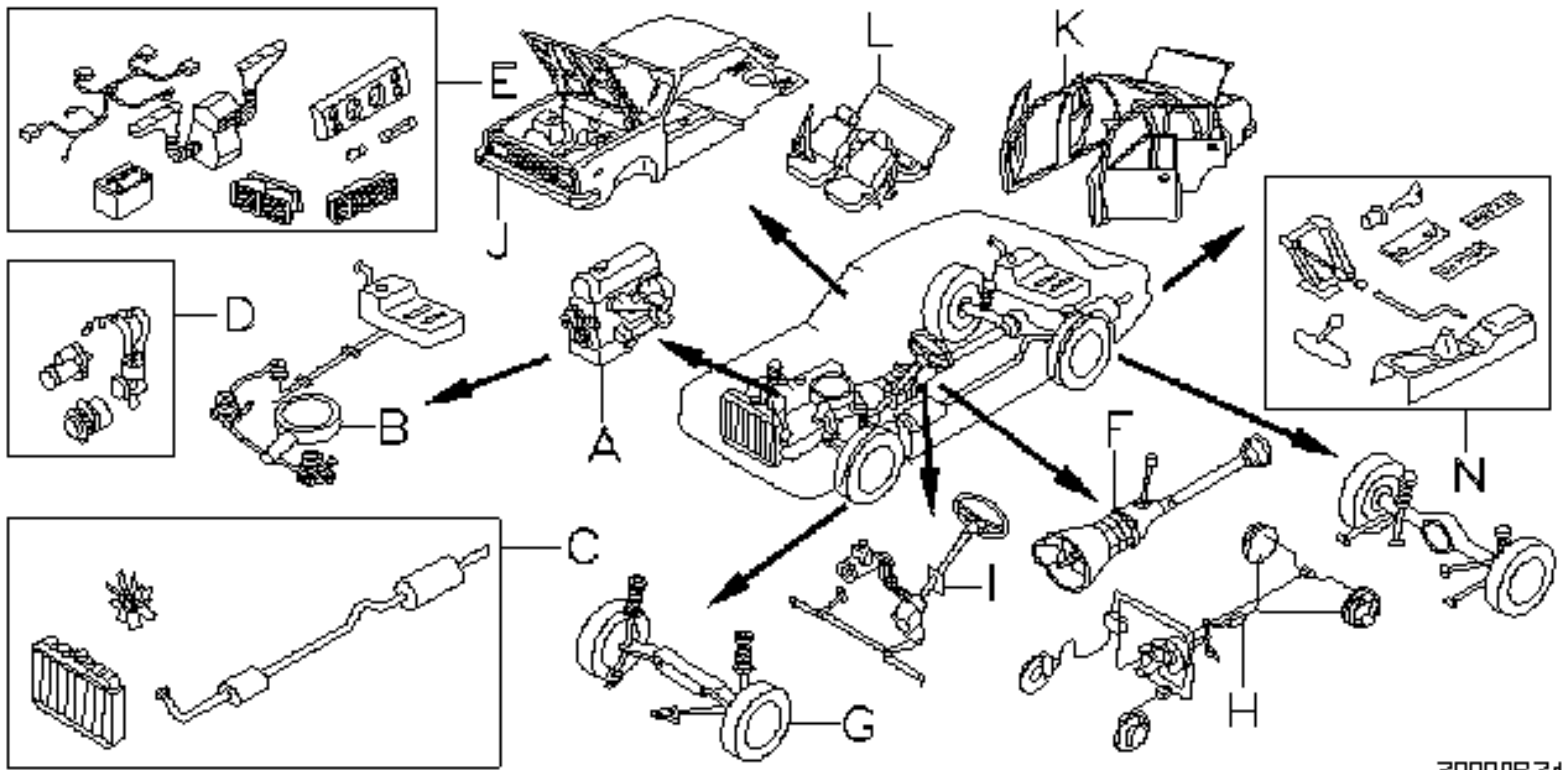
140 - [Manifold](#)

144 - [Turbo & Intercooler](#)

148 - [Secondary Air System](#)

150 - [Lubricating System](#)

Nissan Skyline R33 - Main Menu



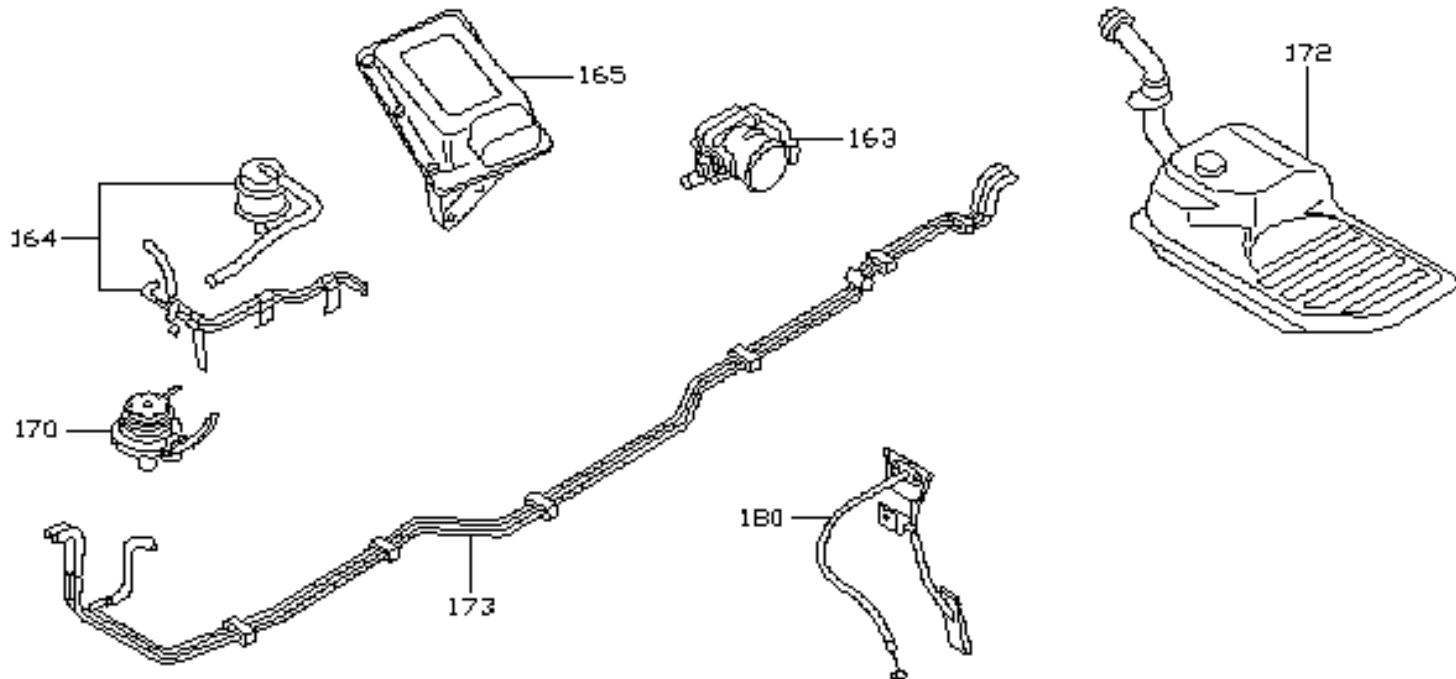
2000R34

Index

- | | | |
|---|---|---|
| A - Engine Mechanical | B - Fuel & Engine Control | C - Exhaust & Cooling |
| D - Engine Electrical | E - Body Electrical | F - Power Train |
| G - Axle & Suspension | H - Brakes | I - Steering |
| J - Body Front | K - Body Side & Rear | L - Seats |
| N - Miscellaneous | | |

USER GUIDE

Nissan Skyline R33 - Fuel & Engine Control



ZB000R34

Index

[Back To Main Menu](#)

163 - [Throttle Chamber](#)

164 - [Fuel Filter](#)

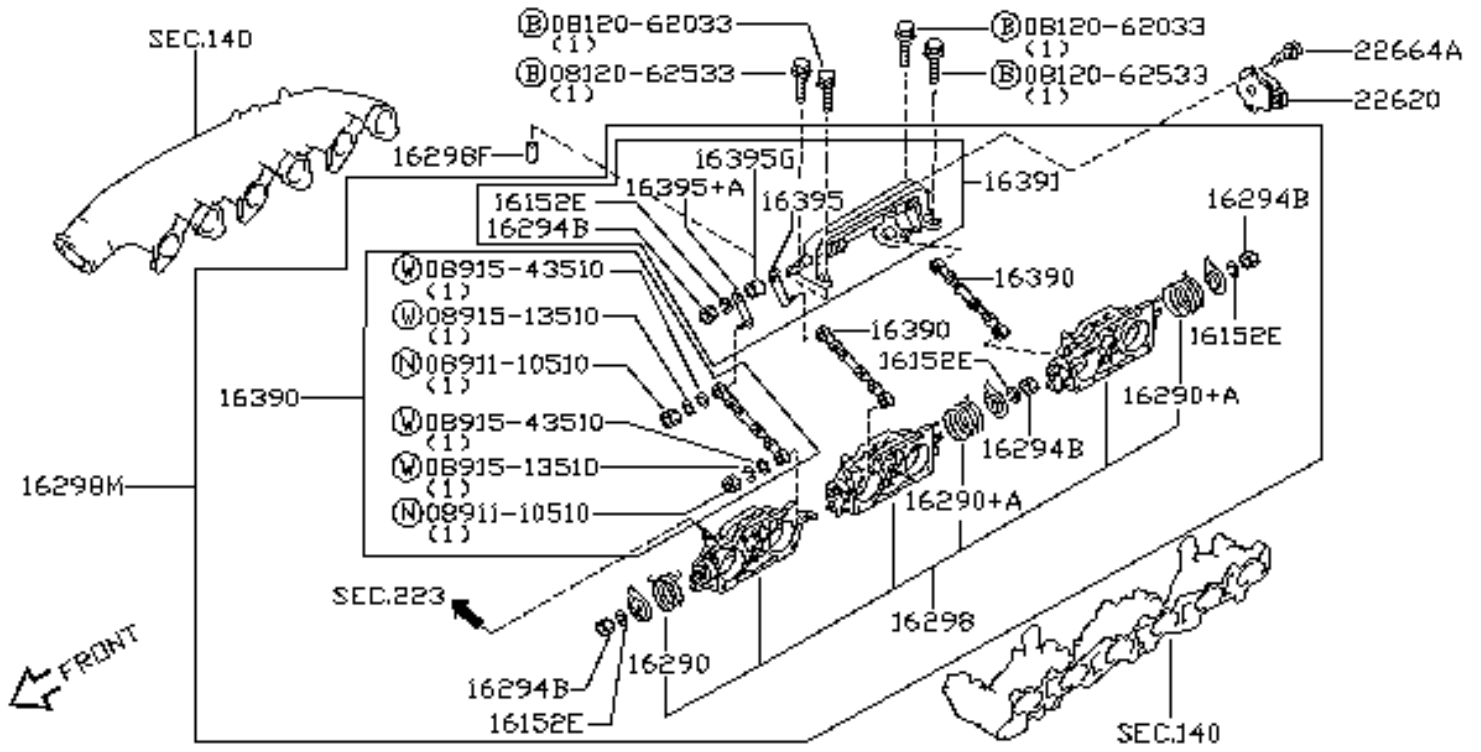
165 - [Air Filter](#)

170 - [Fuel Pump](#)

172 - [Fuel Tank](#)

173 - [Fuel Piping](#)

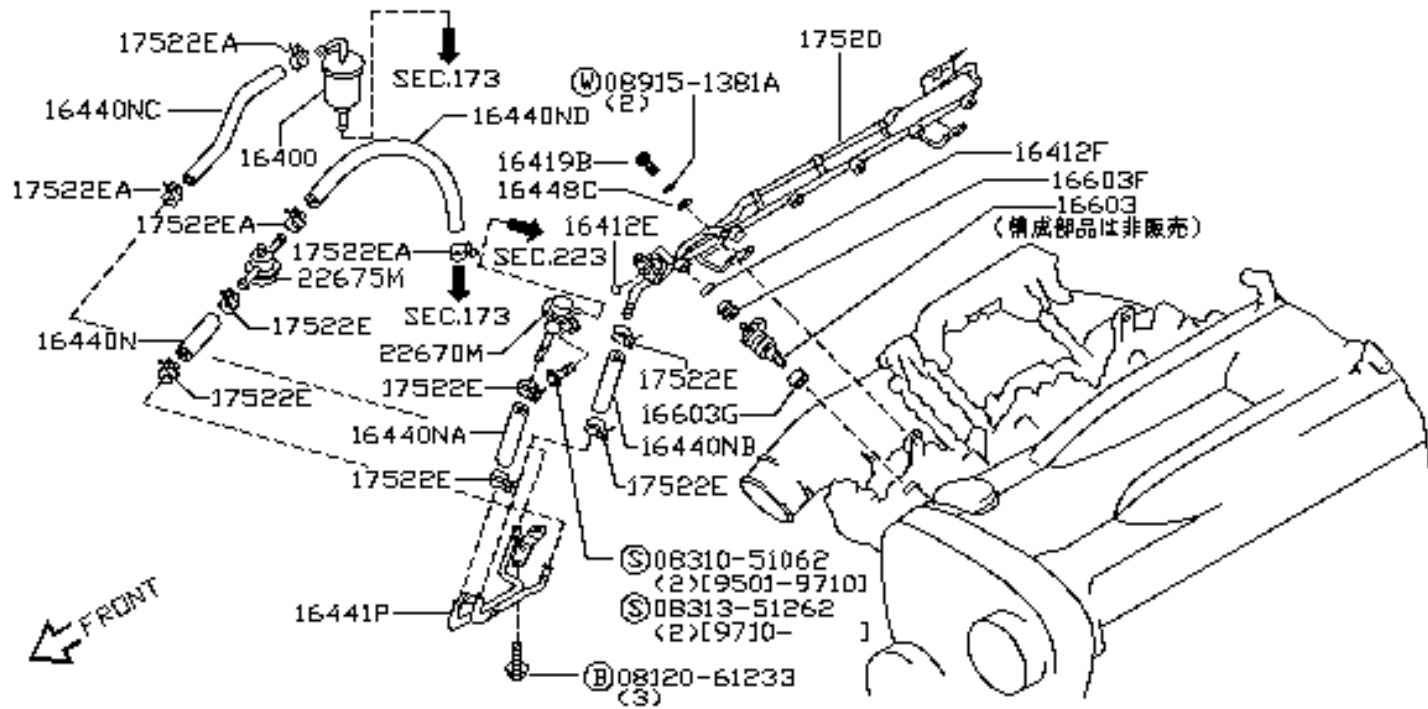
Nissan Skyline R33 - Throttle Chamber



A163C 0059

[Back To Fuel & Engine Control](#)

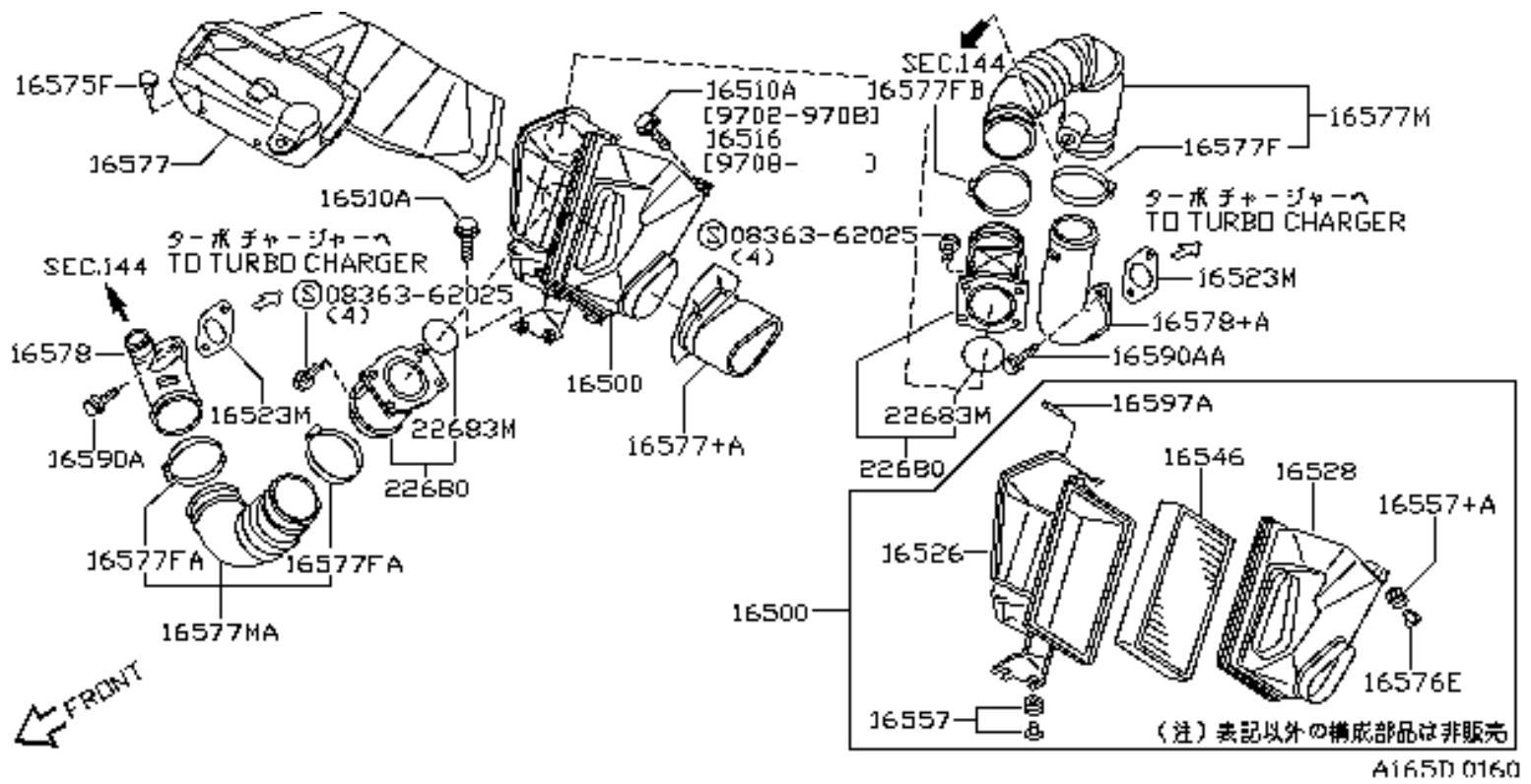
Nissan Skyline R33 - Fuel Filter



A164C 0193

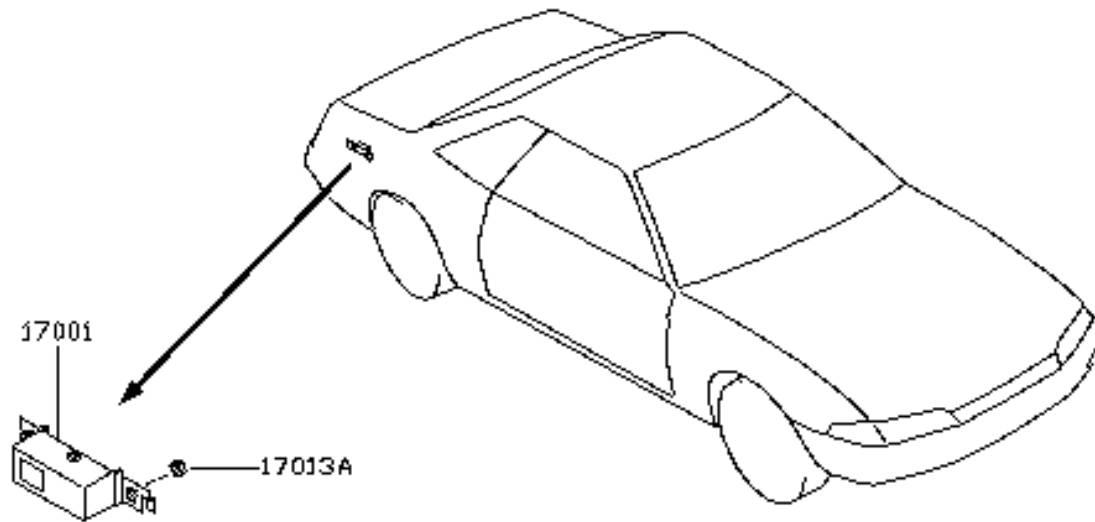
[Back To Fuel & Engine Control](#)

Nissan Skyline R33 - Air Filter



[Back To Fuel & Engine Control](#)

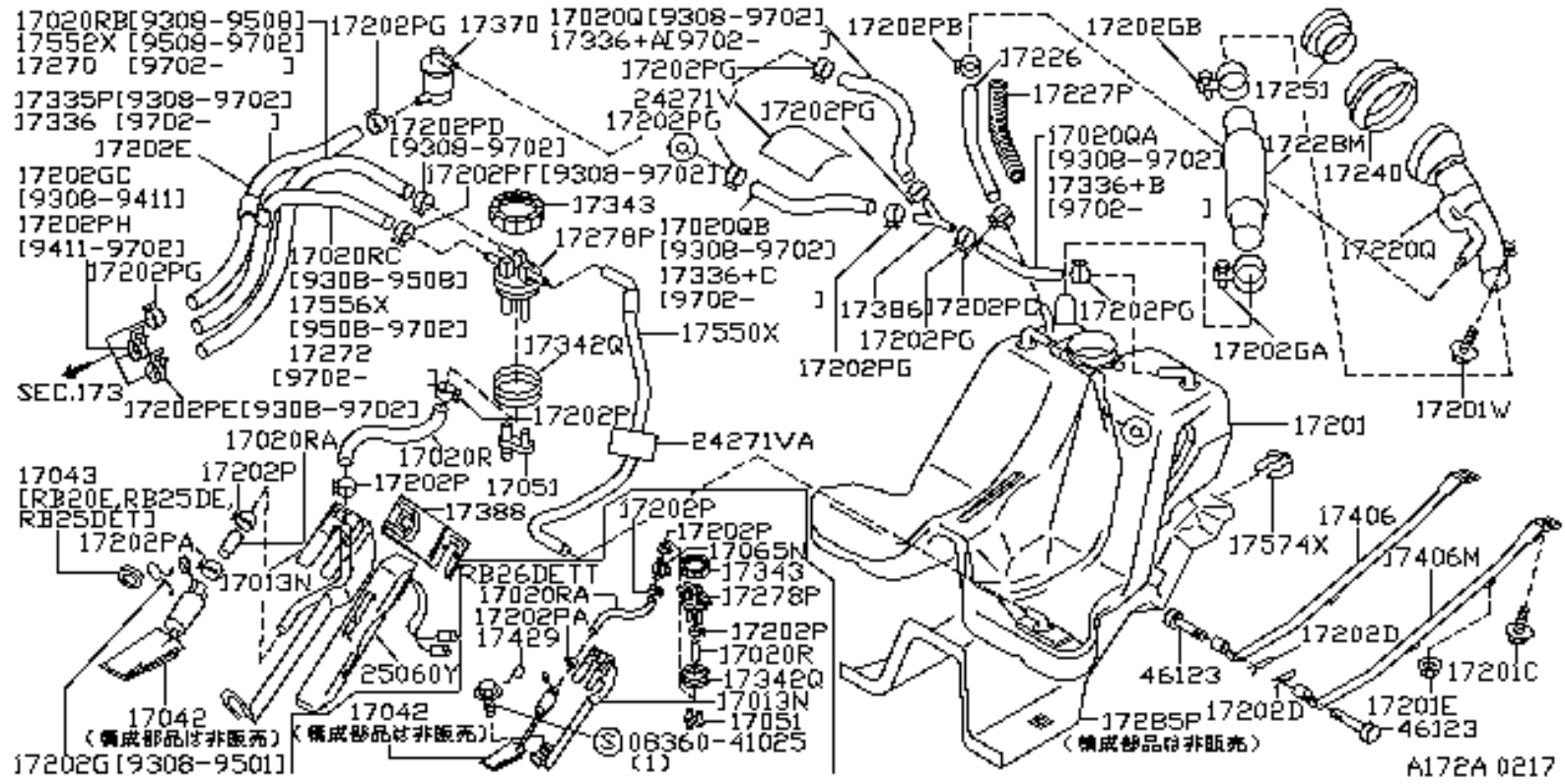
Nissan Skyline R33 -Fuel Pump



A17010 00P7

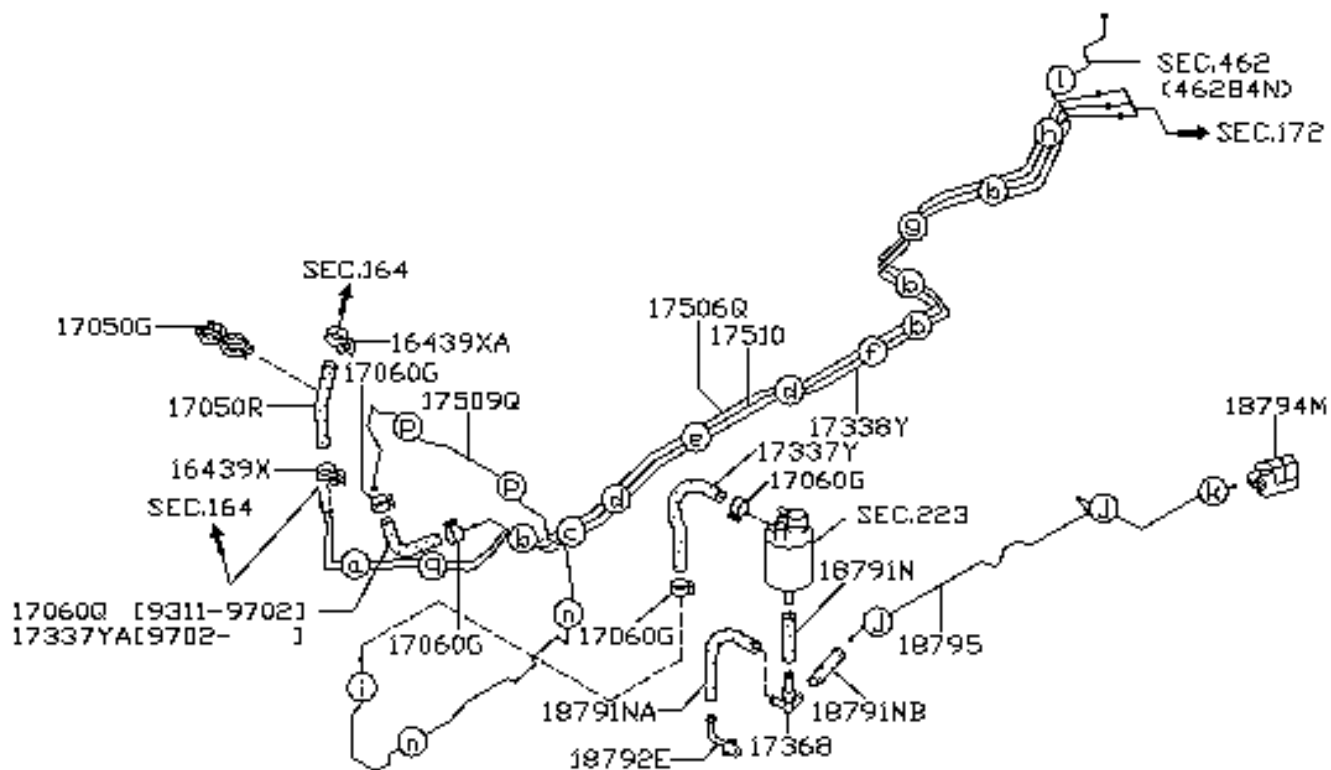
[Back To Fuel & Engine Control](#)

Nissan Skyline R33 - Fuel Tank



[Back To Fuel & Engine Control](#)

Nissan Skyline R33 - Fuel Piping

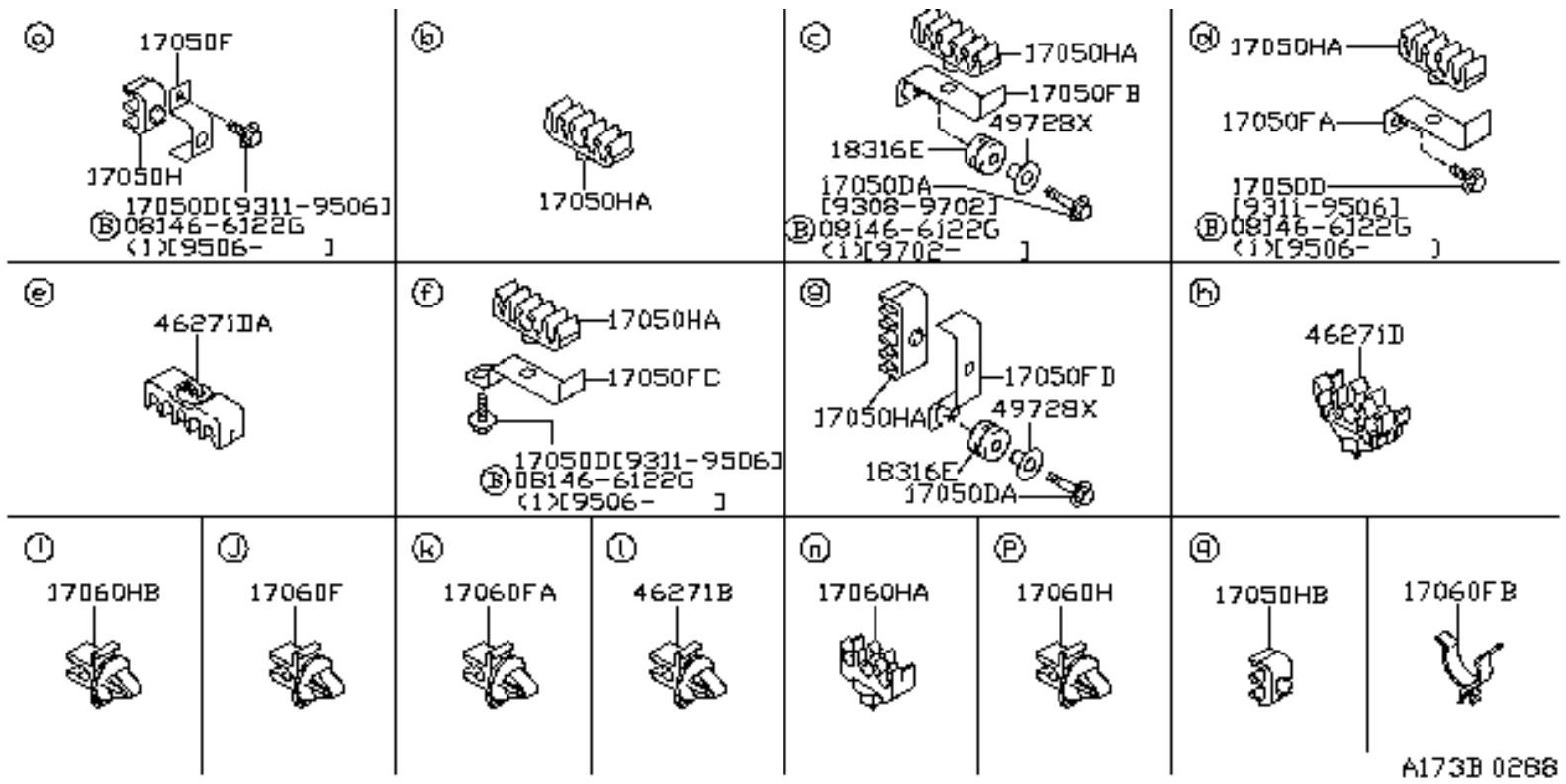


A173B 0267

[Page 2](#)

[Back To Fuel & Engine Control](#)

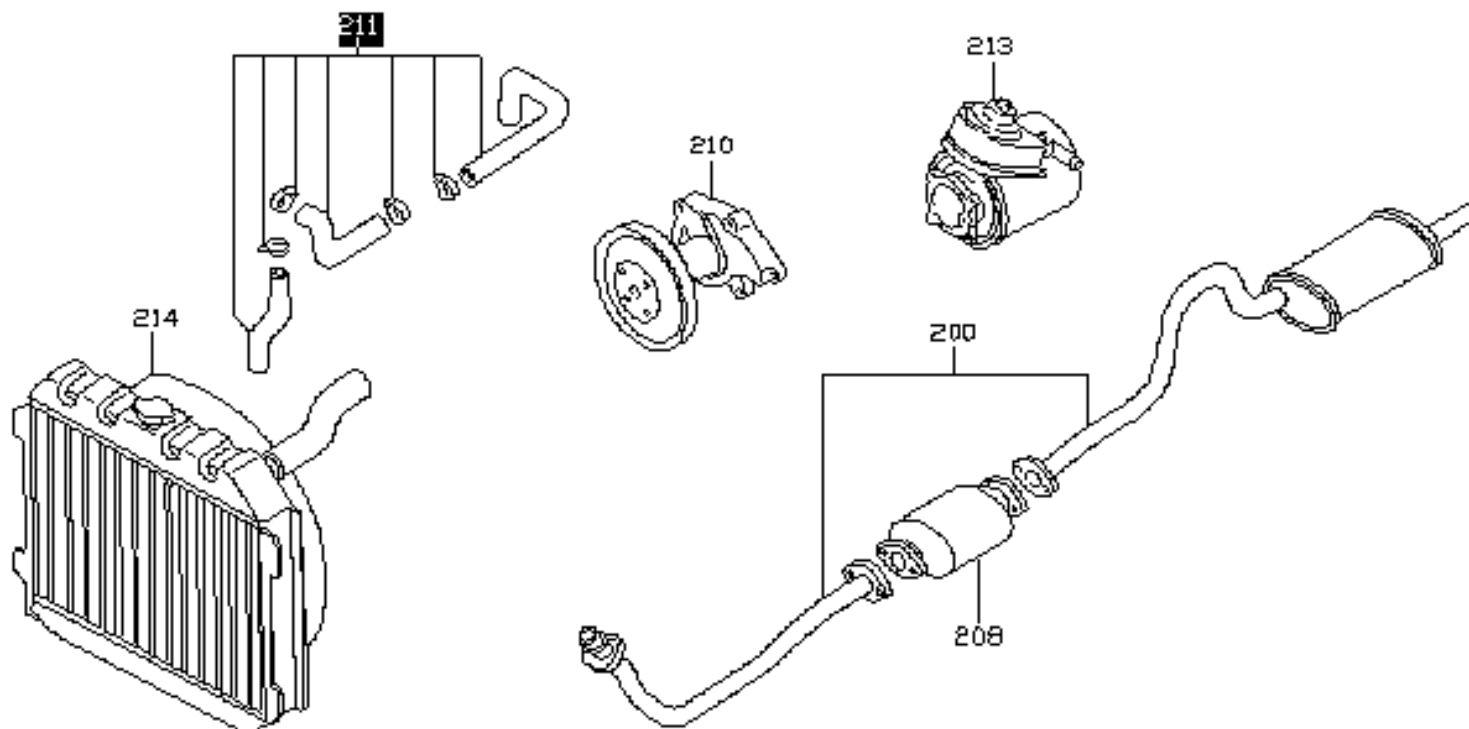
Nissan Skyline R33 -Fuel Piping - Page 2



A173B 0268

[Back To Fuel & Engine Control](#)

Nissan Skyline R33 - Exhaust & Cooling



ZC000R34

Index

[Back To Main Menu](#)

200 - [Exhaust](#)

208 - [Catalyst converter](#)

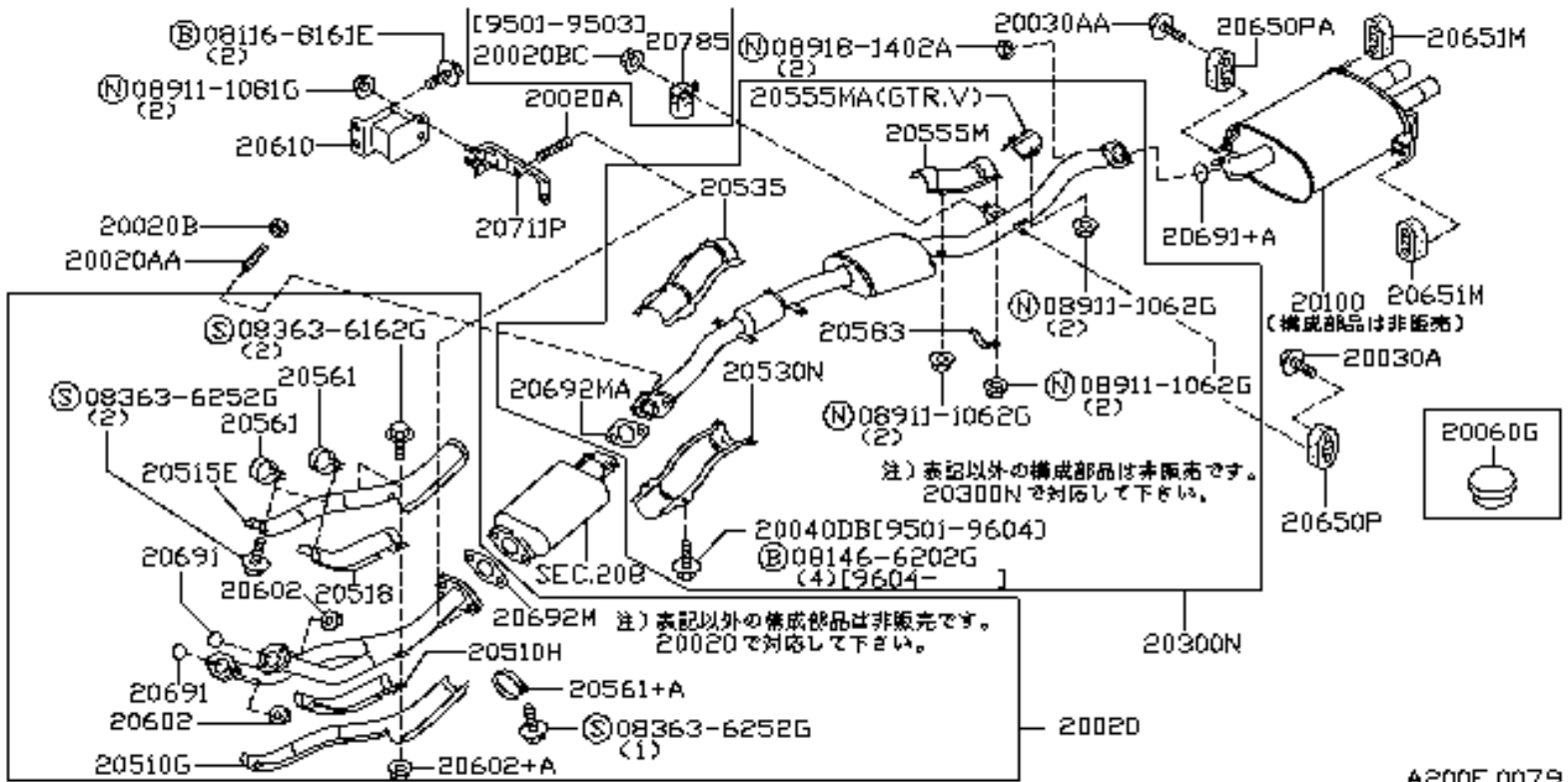
210 - [Water Pump & Thermostat](#)

211 - [Water Hose & Piping](#)

213 - [Oil Cooler](#)

214 - [Radiator](#)

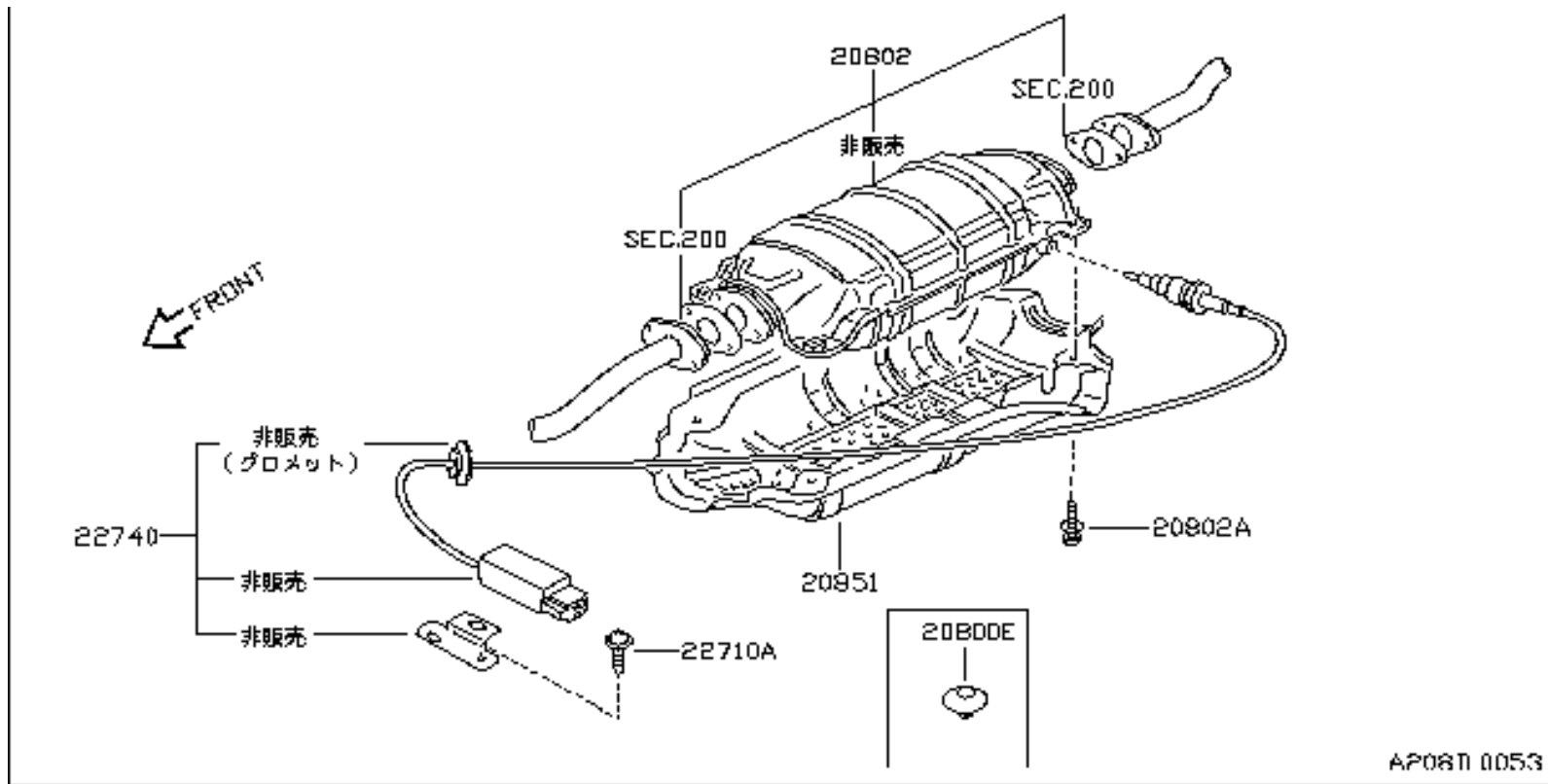
Nissan Skyline R33 - Exhaust System



A200E 0079

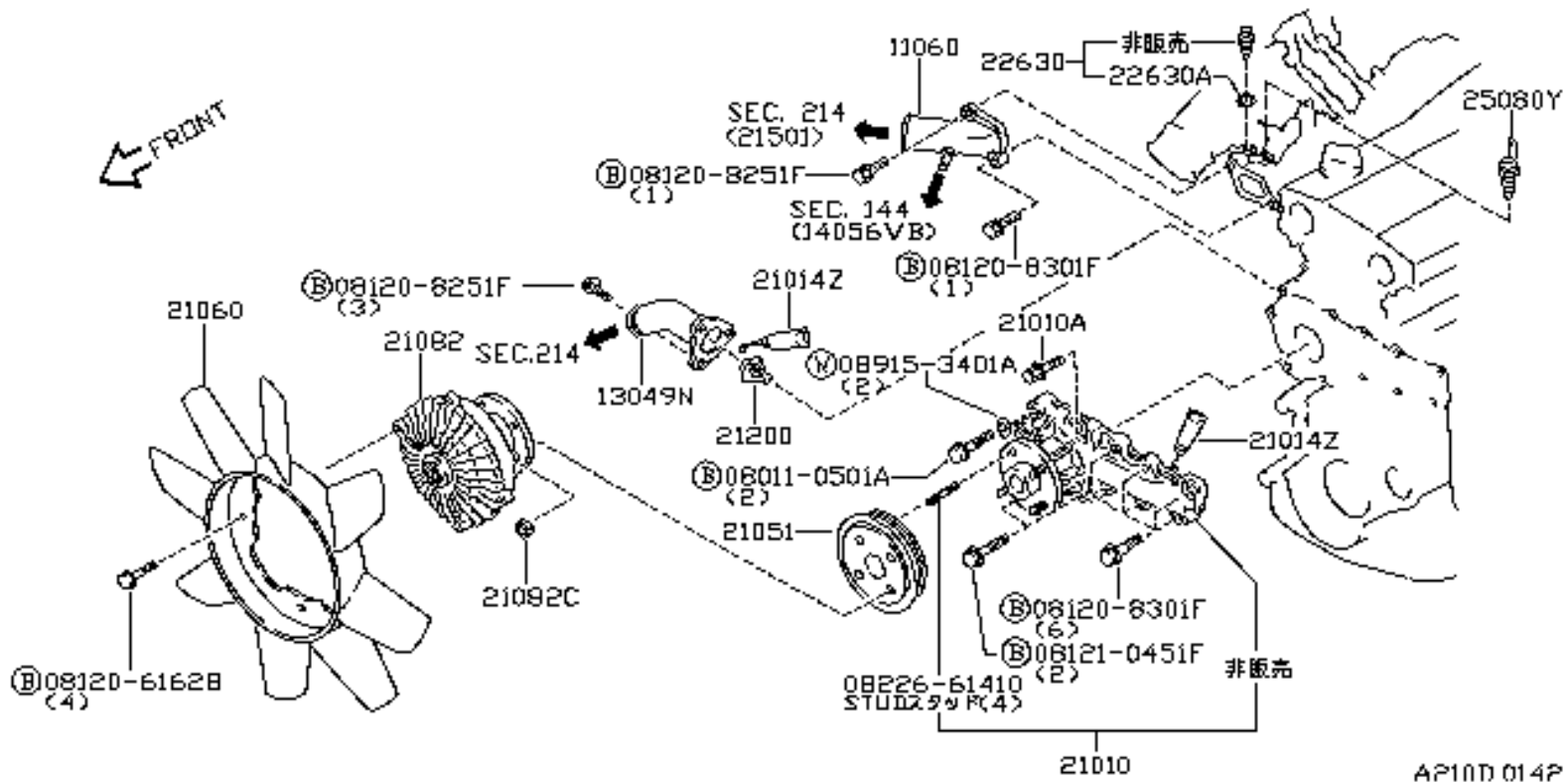
[Back To Exhaust & Cooling](#)

Nissan Skyline R33 - Catalyst Converter



[Back To Exhaust & Cooling](#)

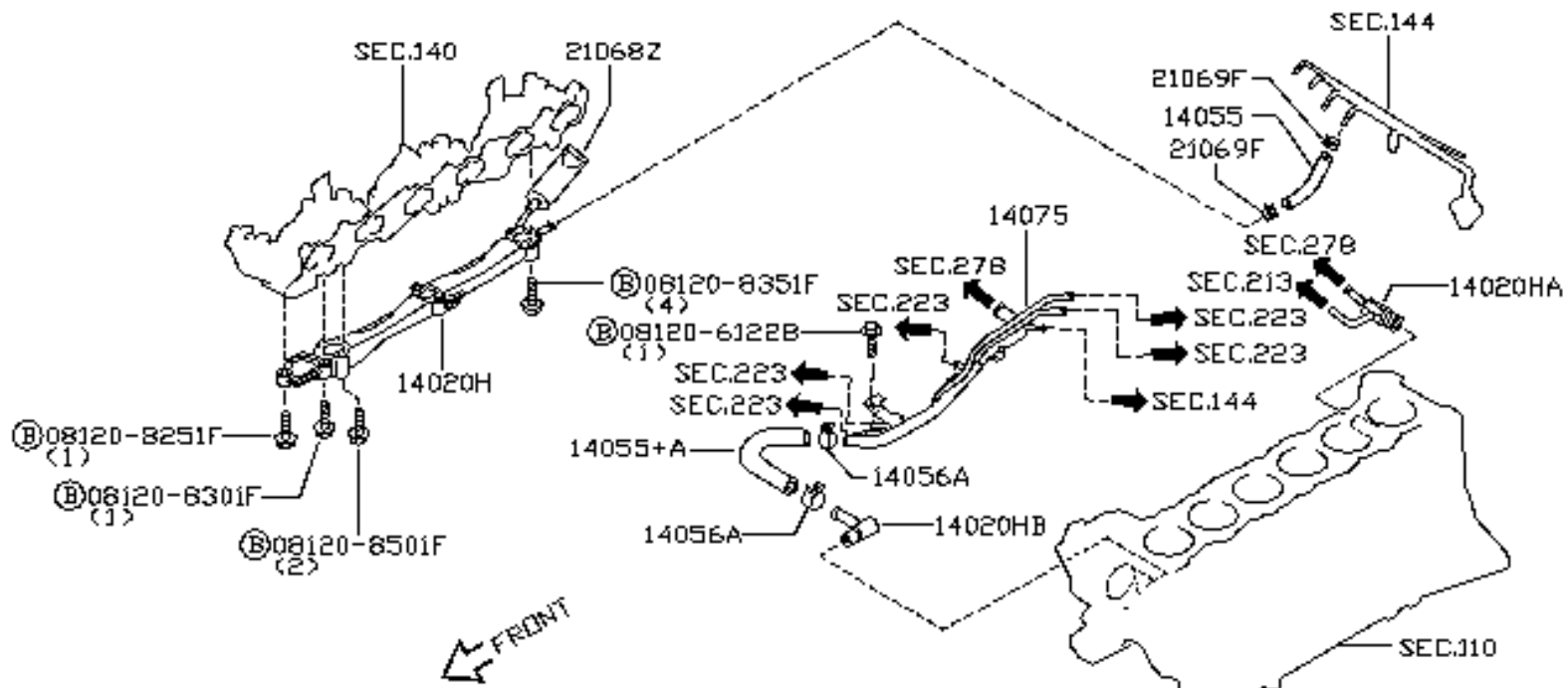
Nissan Skyline R33 - Water Pump & Thermostat



AP10D 014P

[Back To Exhaust & Cooling](#)

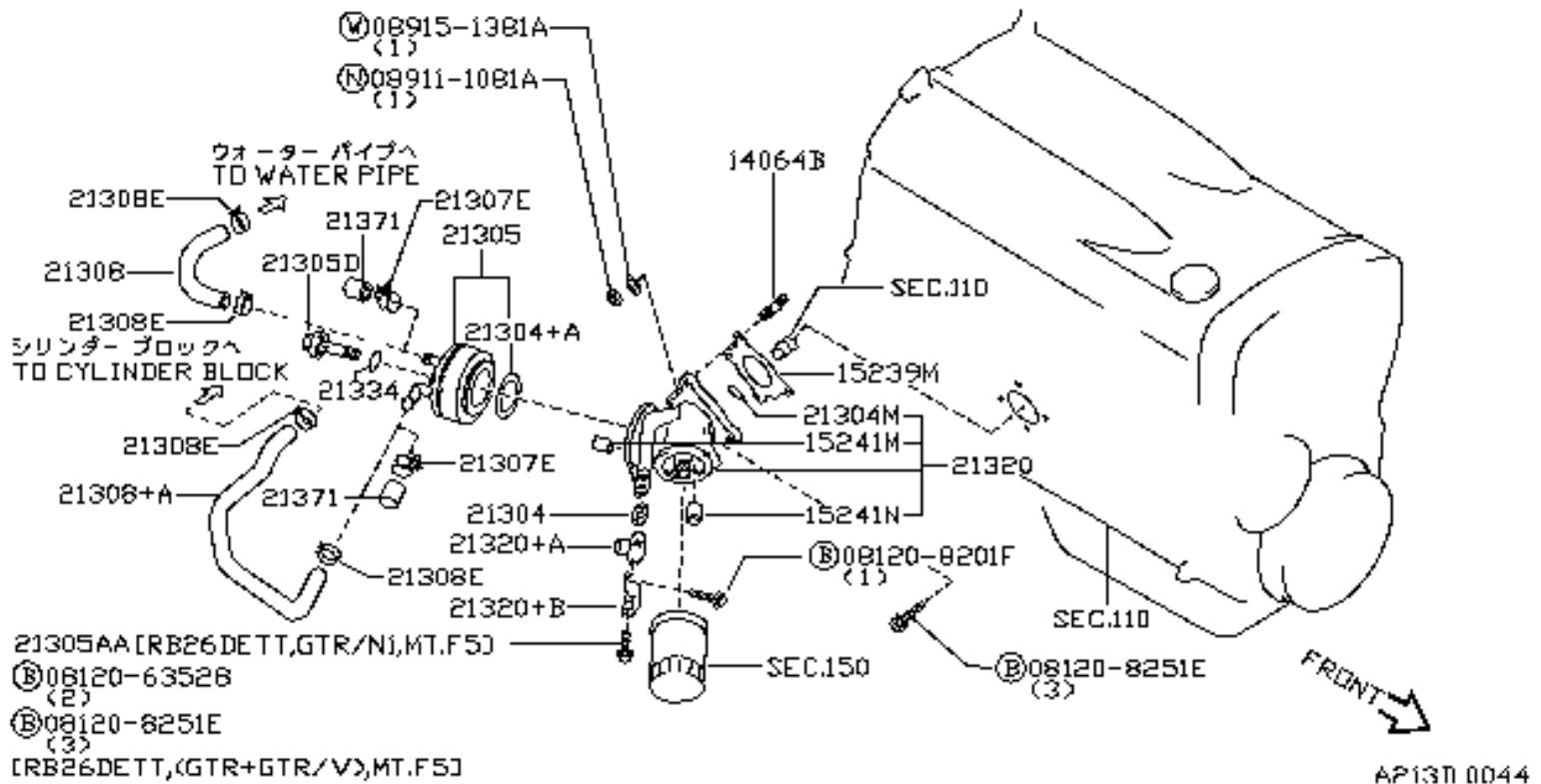
Nissan Skyline R33 - Water Hoses



AP1110 0053

[Back To Exhaust & Cooling](#)

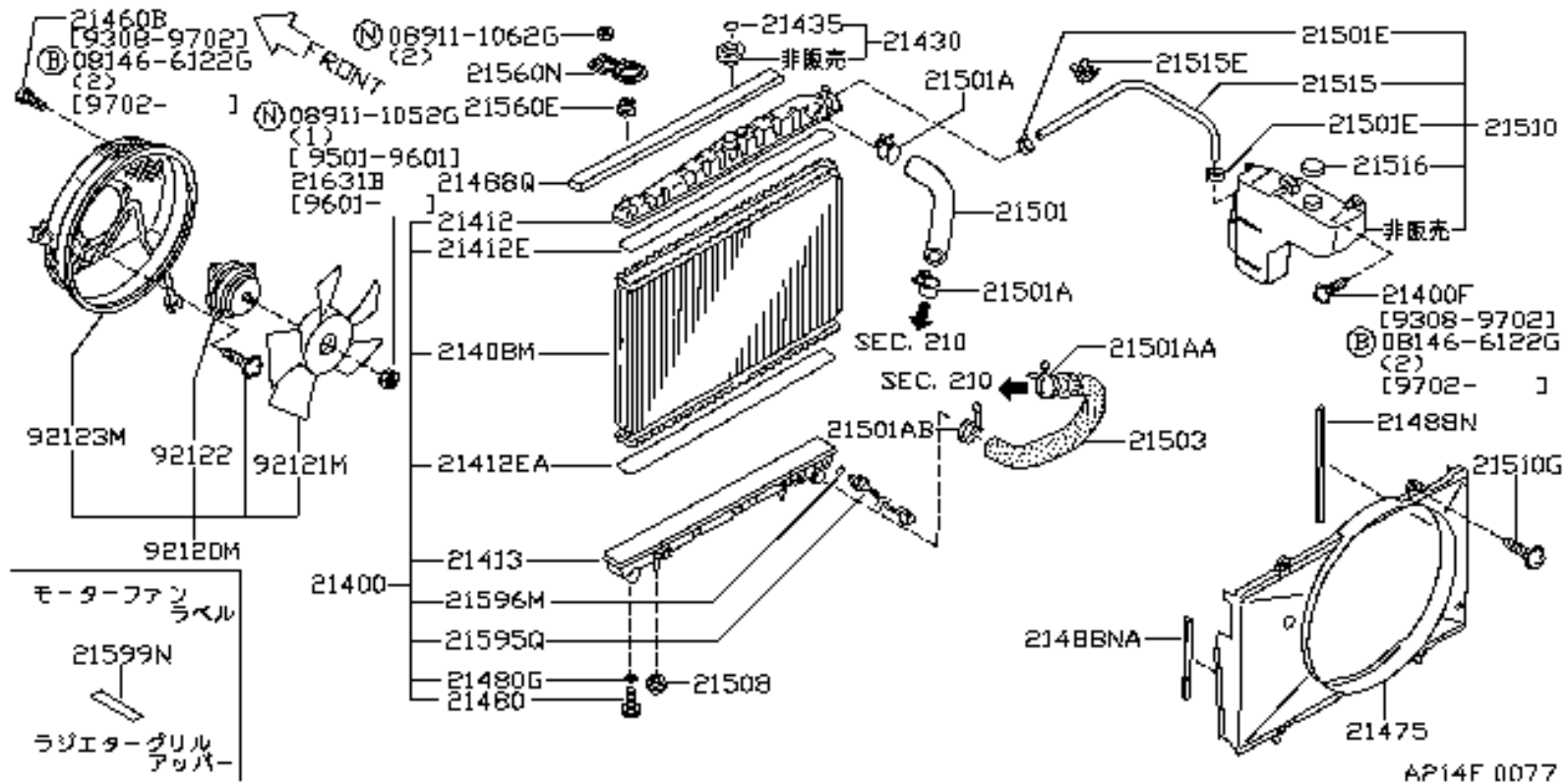
Nissan Skyline R33 - Oil Cooler



[Page 2](#)

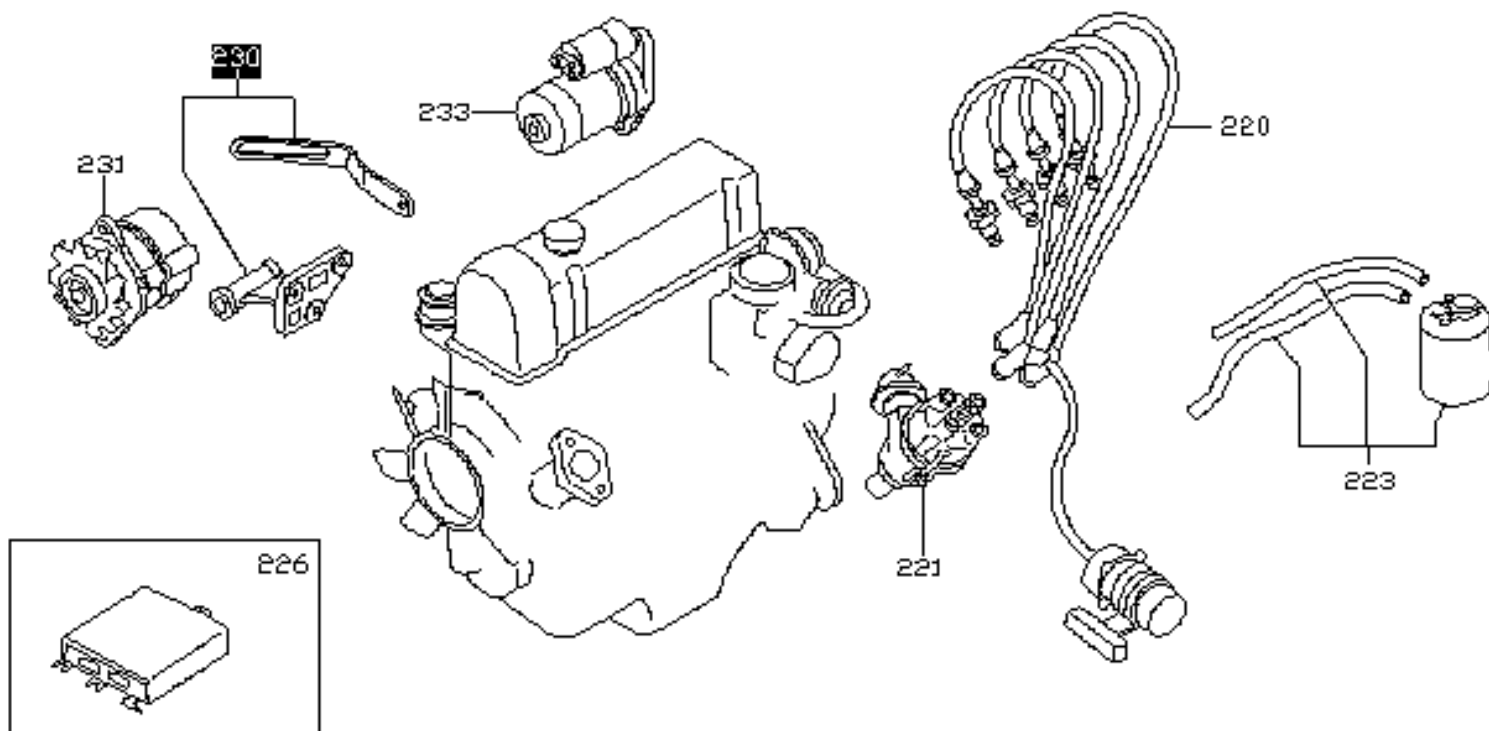
[Back To Exhaust & Cooling](#)

Nissan Skyline R33 - Radiator



[Back To Exhaust & Cooling](#)

Nissan Skyline R33 - Engine Electrical



ZD000R34

Index

[Back To Main Menu](#)

220 - [Ignition System](#)

221 - [Camshaft Position Sensor](#)

223 - [Vacuum Piping](#)

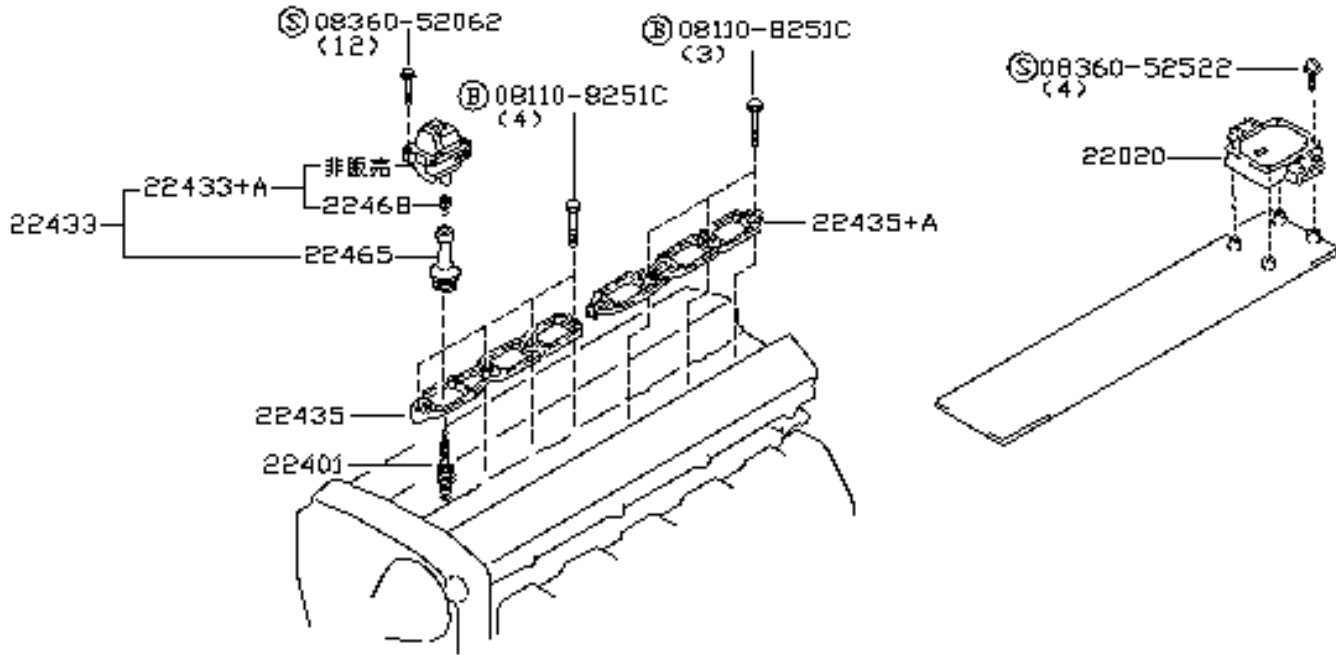
226 - [E.C.U](#)

230 - [Alternator Fitting](#)

231 - [Alternator](#)

233 - [Starter Motor](#)

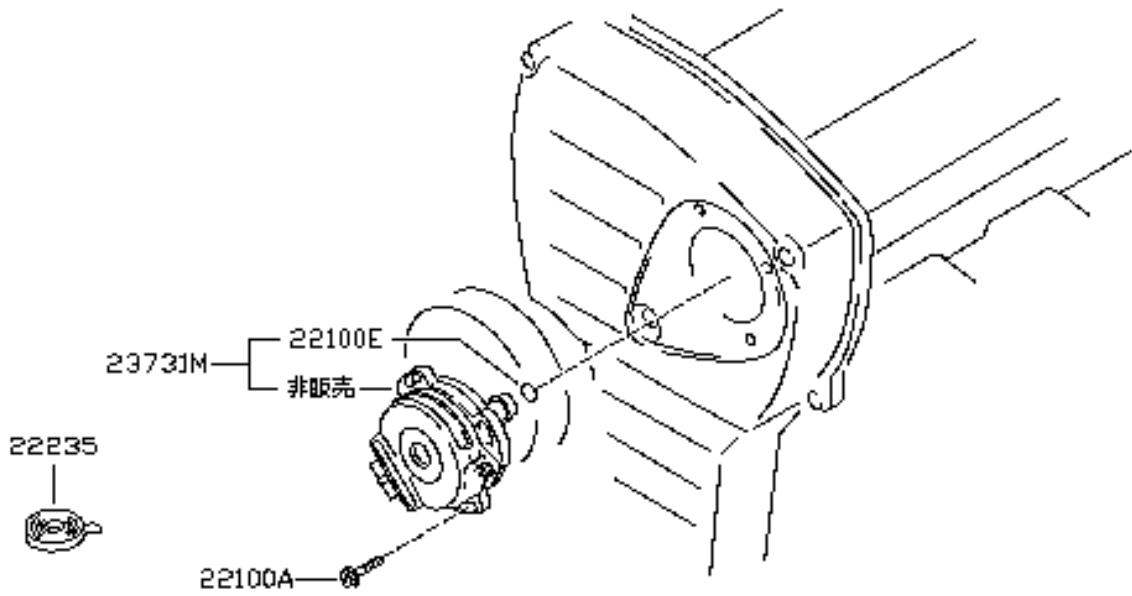
Nissan Skyline R33 - Ignition System



APP01 0121

[Back To Engine Electrical](#)

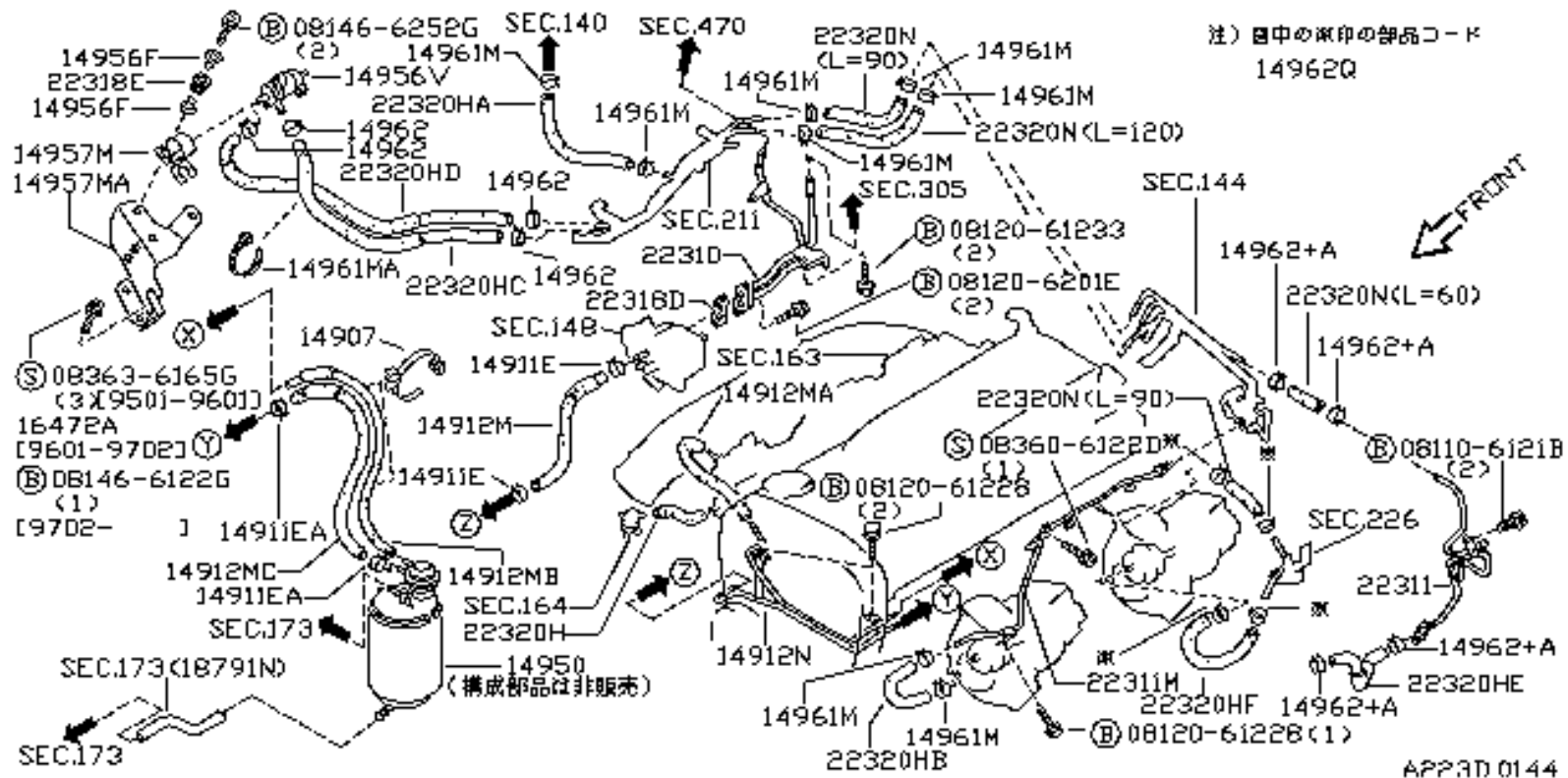
Nissan Skyline R33 - Camshaft Position Sensor



APP1C 0147

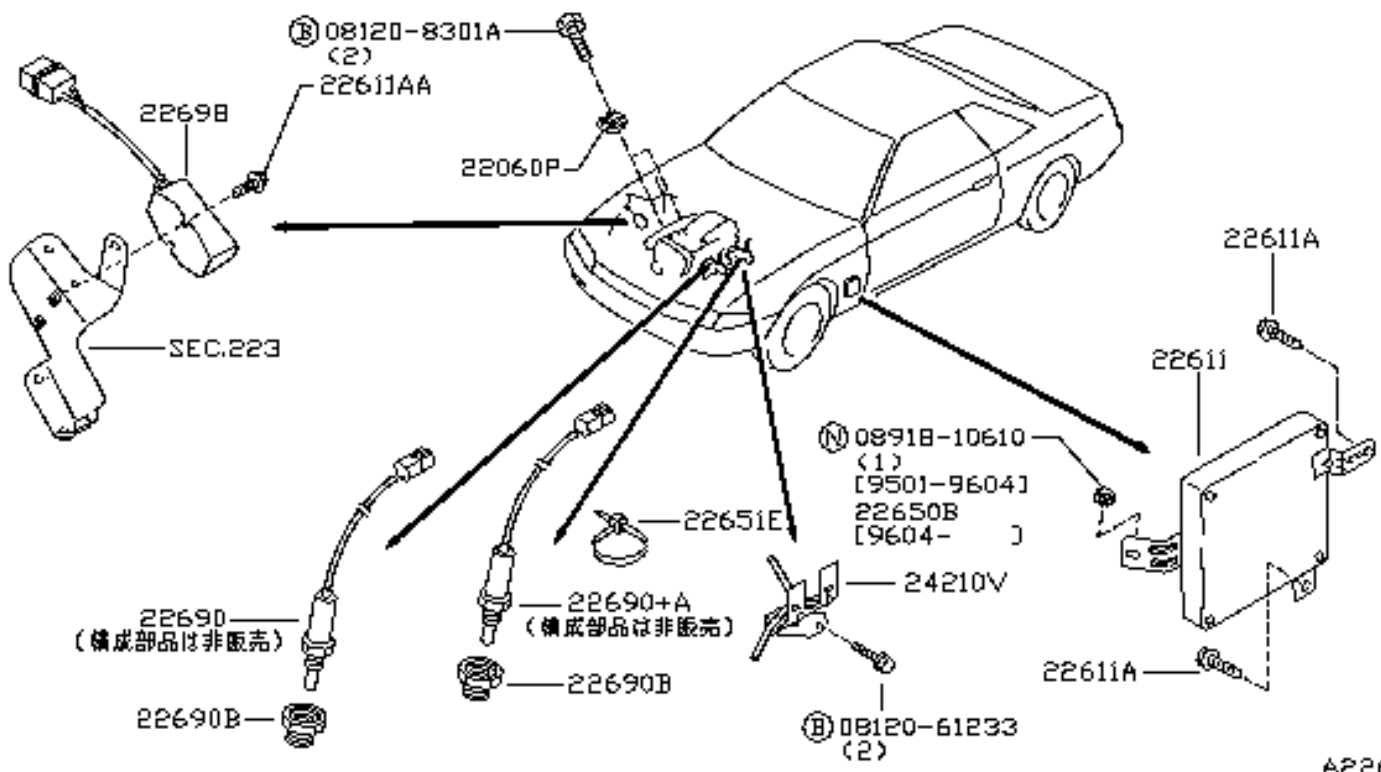
[Back To Engine Electrical](#)

Nissan Skyline R33 - Vacuum Piping



[Back To Engine Electrical](#)

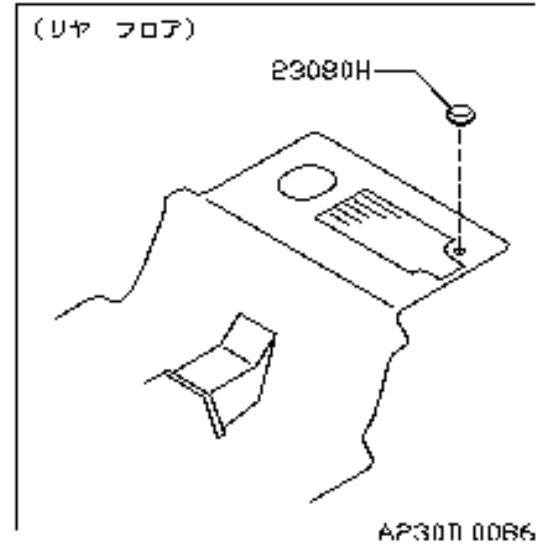
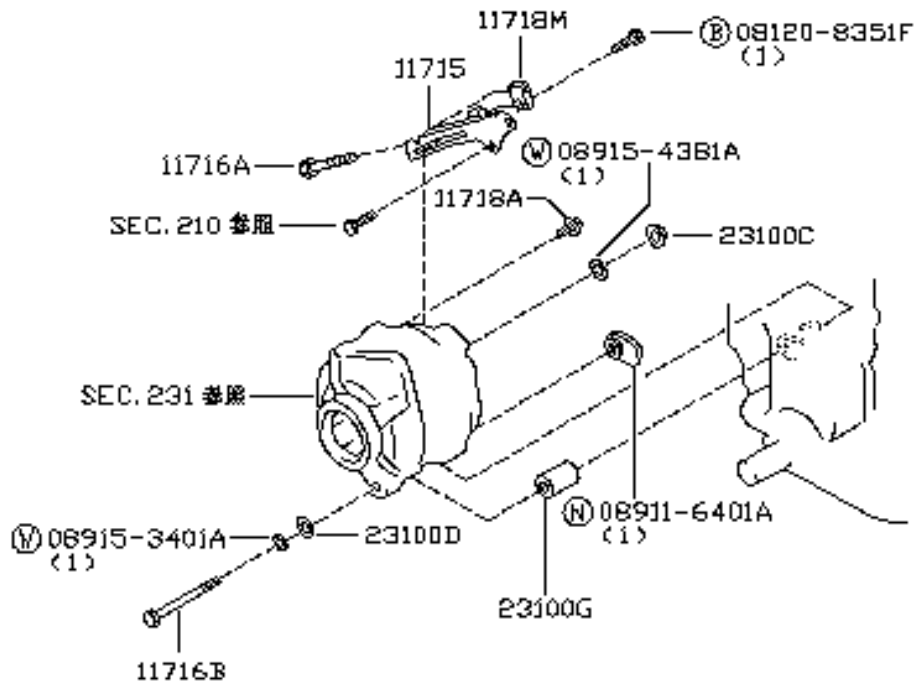
Nissan Skyline R33 - E.C.U



APP6D 0071

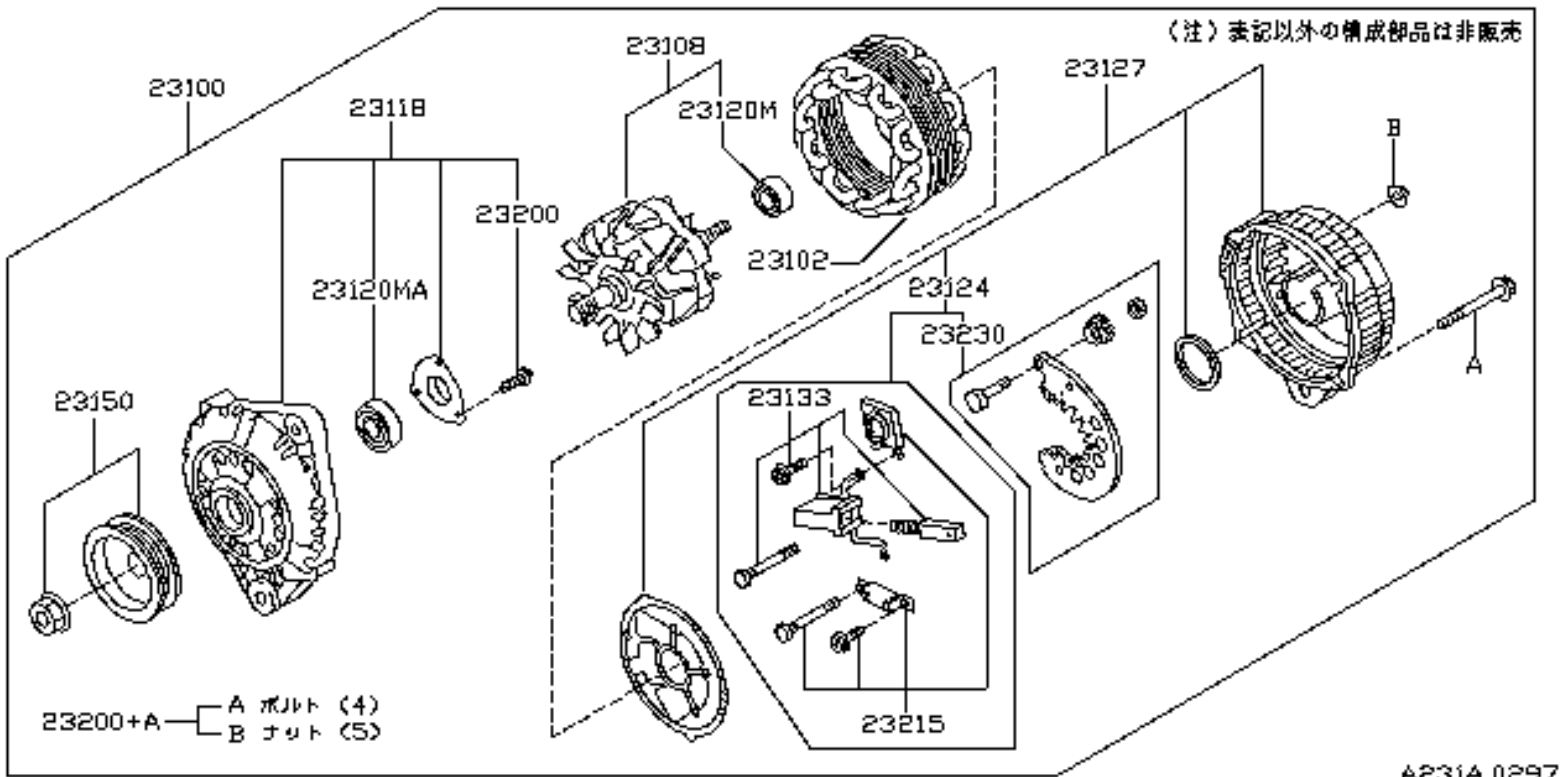
[Back To Engine Electrical](#)

Nissan Skyline R33 - Alternator Fittings

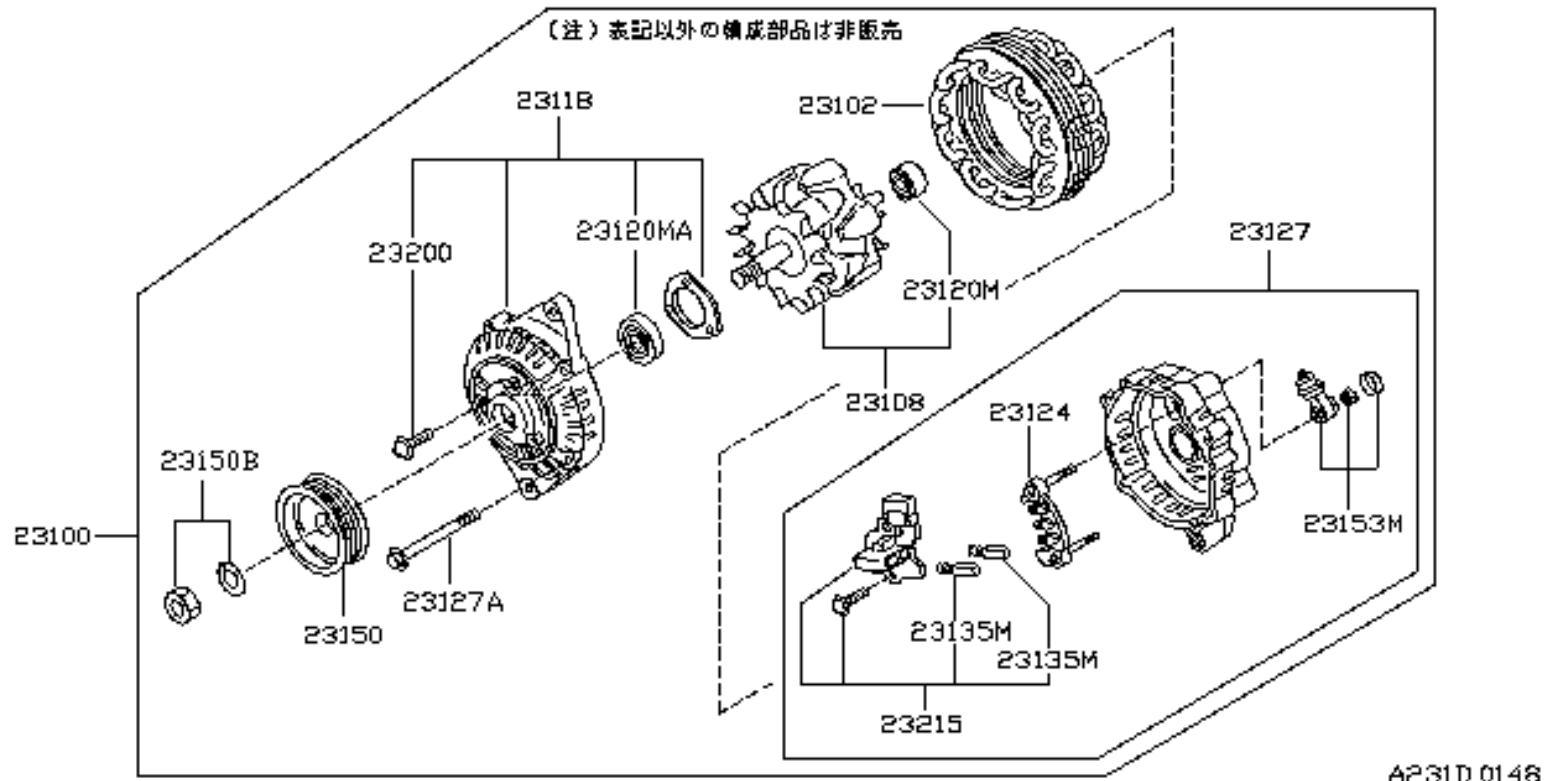


[Back To Engine Electrical](#)

Nissan Skyline R33 - Alternator



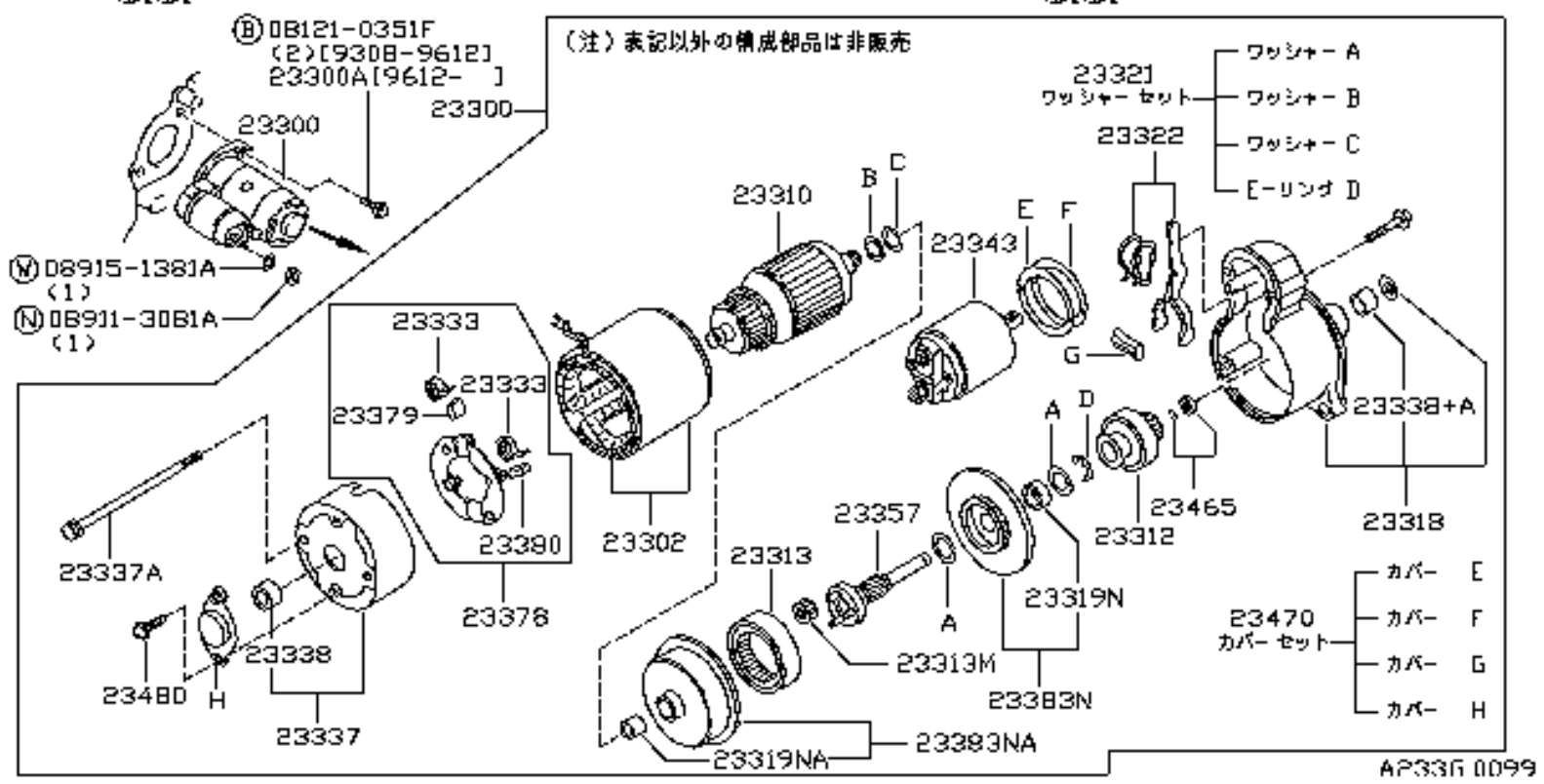
Nissan Skyline R33 - Alternator - Page 2



A231D 0148

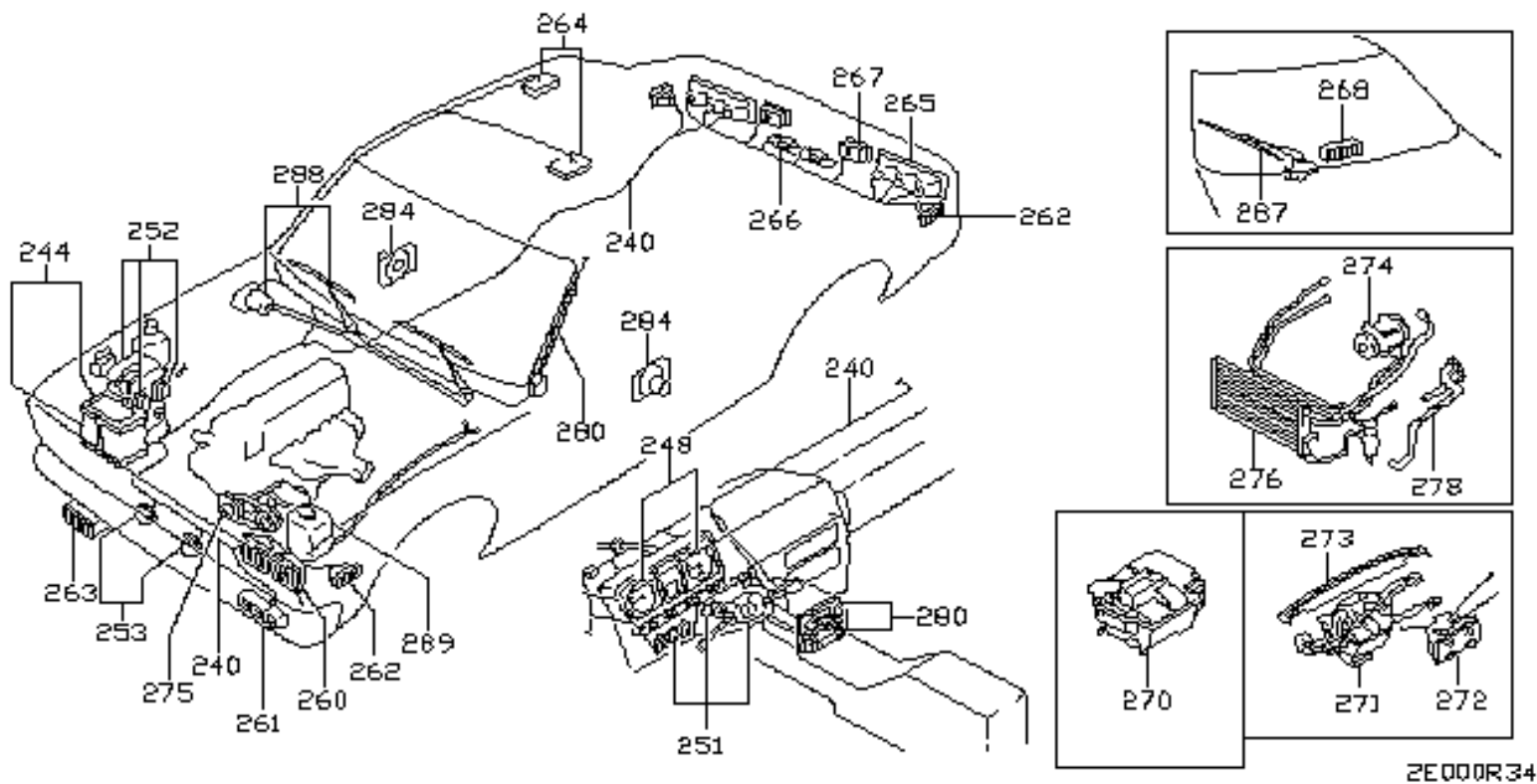
[Back To Engine Electrical](#)

Nissan Skyline R33 - Starter Motor



[Back To Engine Electrical](#)

Nissan Skyline R33 - Body Electrical



Index

[Back To Main Menu](#)

240 - [Wiring](#)

244 - [Battery](#)

248 - [Instrument Gauges](#)

251 - [Switches](#)

252 - [Relays](#)

253 - [Electrical Units](#)

260 - [Head Lamp](#)

261 - [Front Flasher Lamp](#)

262 - [Side Marker Lamp](#)

263 - [Fog Lamp](#)

264 - [Interior Lamp](#)

265 - [Rear Lamp](#)

267 - [Lamps \(Other \)](#)

268 - [High Level Brake Lamp](#)

270 - [Heater & Blower Unit](#)

271 - [Cooling Unit](#)

272 - [Control Unit](#)

273 - [Nozzle & Ducts](#)

274 - [Air Con Compressor](#)

276 - [Air Con Condenser](#)

278 - [Heater Piping](#)

280 - [Audio](#)

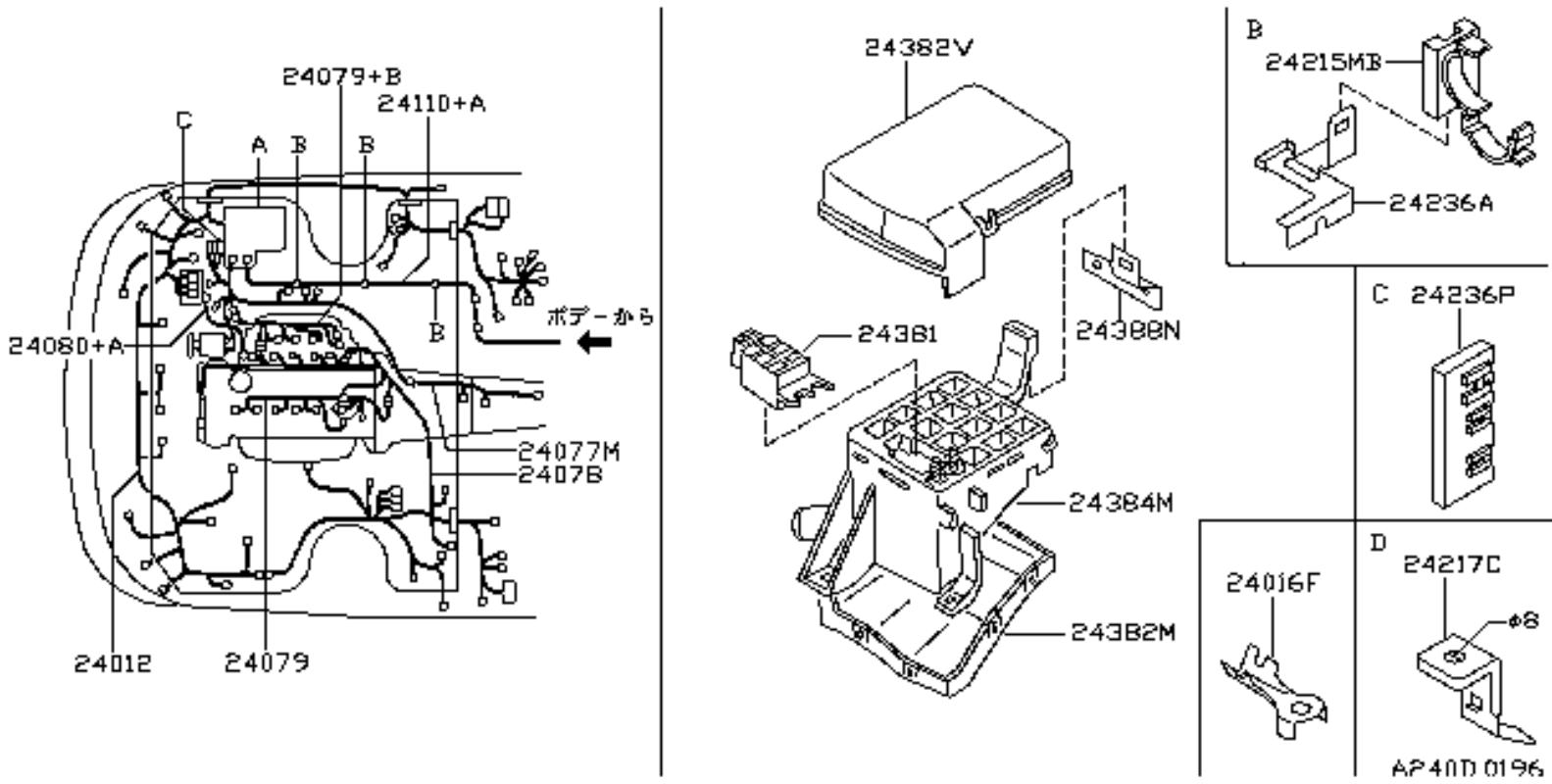
284 - [Speakers](#)

287 - [Rear Wiper](#)

288 - [Front Wiper](#)

289 - [Windscreen Washer](#)

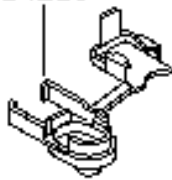


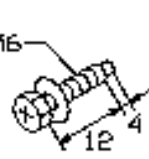
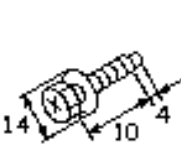

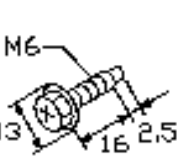
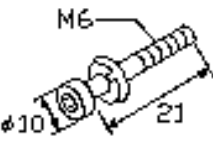

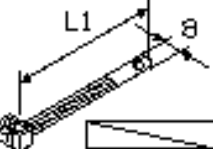
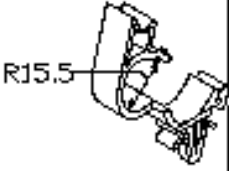


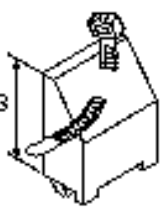




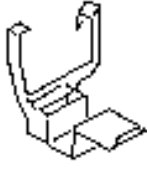
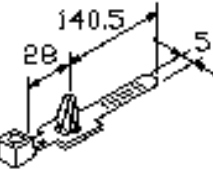
Nissan Skyline R33 - Wiring



[Page 2](#)

[Back To Body Electrical](#)

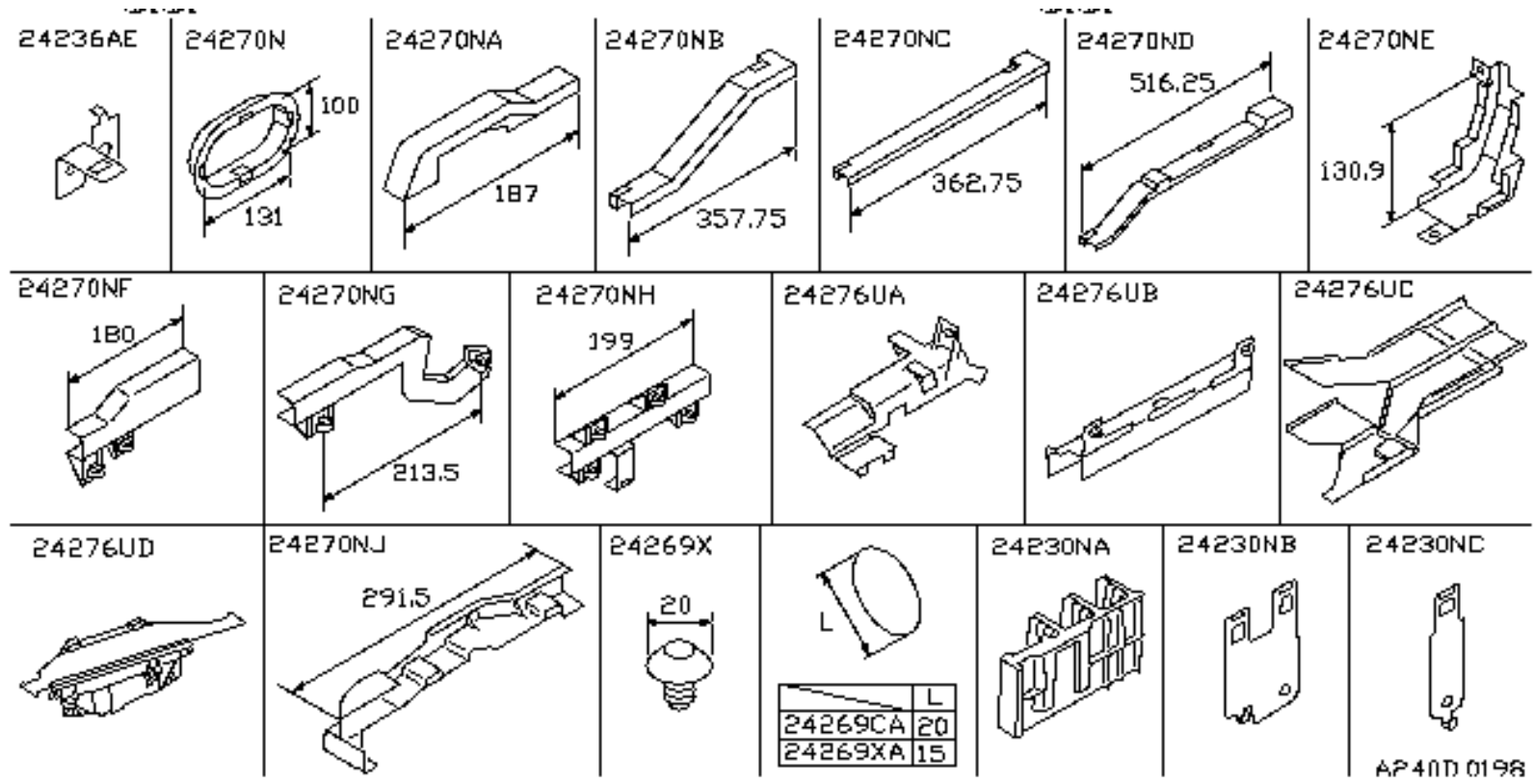
Nissan Skyline R33 - Wiring - Page 2

<p>E 24225</p> 	<p>F 24276M</p> 	<p>G 24215MA</p>  <p>φ10.6</p>	<p>24012CB</p>  <p>M6 12 4</p>	<p>24012D</p>  <p>14 10 4</p>	<p>24014E</p>  <p>15.9 MB</p>								
<p>24015G</p>  <p>M6 13 16 2.5</p>	<p>24110C</p>  <p>M6 φ10 21</p>	<p>24110G</p> 	<p>L1 8</p>  <table border="1" data-bbox="868 546 1063 661"> <thead> <tr> <th></th> <th>L1</th> </tr> </thead> <tbody> <tr> <td>24212B</td> <td>130</td> </tr> <tr> <td>24212BA</td> <td>220</td> </tr> <tr> <td>24212BB</td> <td>170</td> </tr> </tbody> </table>		L1	24212B	130	24212BA	220	24212BB	170	<p>24215E</p>  <p>R15.5</p>	<p>24215EA</p>  <p>φ6.5 36 24</p>
	L1												
24212B	130												
24212BA	220												
24212BB	170												
<p>24215EB</p>  <p>φ22用 φ6</p>	<p>24226B</p>  <p>67.3</p>	<p>24230MA</p> 	<p>24236AA</p> 	<p>24236AB</p> 	<p>24236AC</p> 	<p>24215C</p> 	<p>24215N</p>  <p>140.5 28 5</p> <p>AP40D 0197</p>						

[Page 3](#)

[Back To Body Electrical](#)

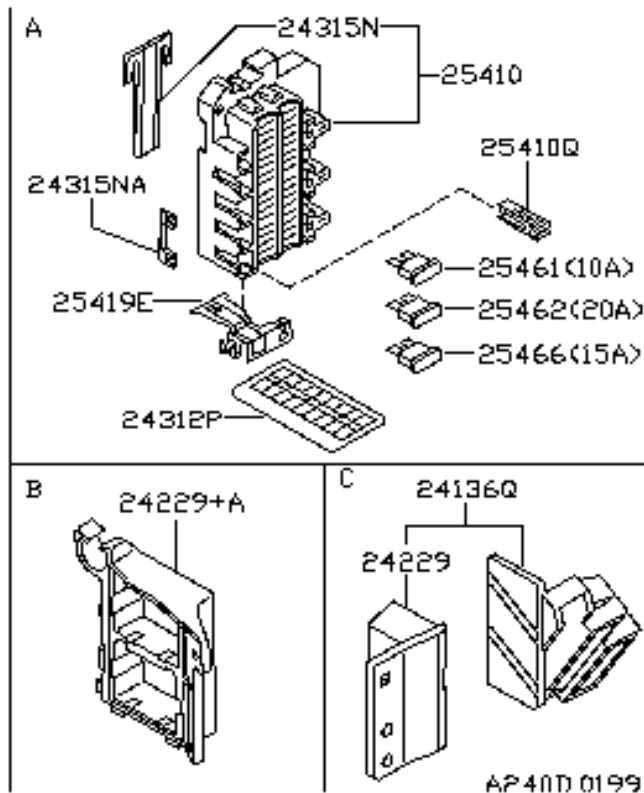
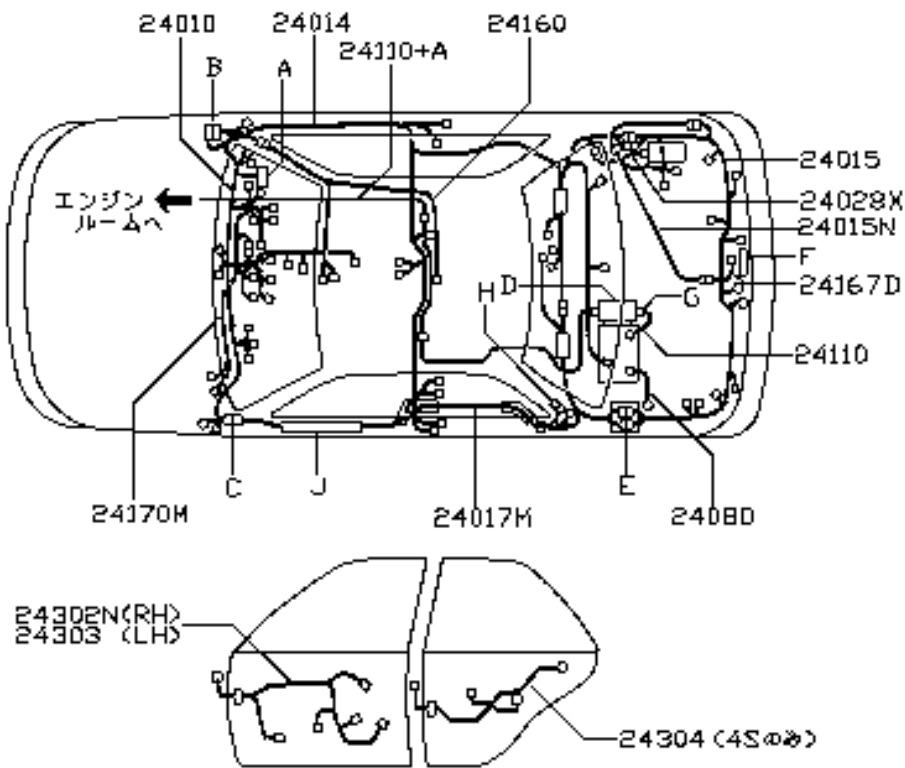
Nissan Skyline R33 - Wiring - Page 3



[Page 4](#)

[Back To Body Electrical](#)

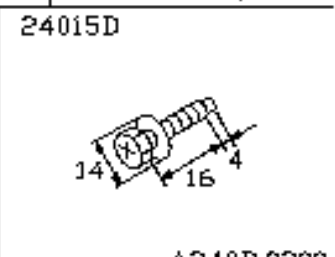
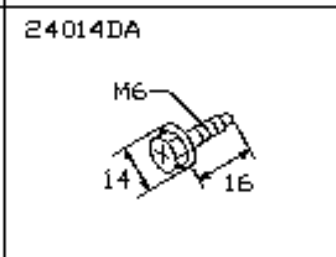
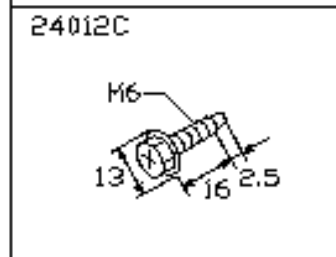
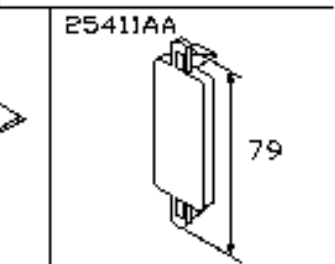
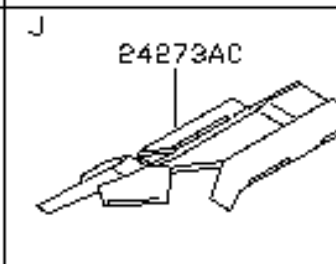
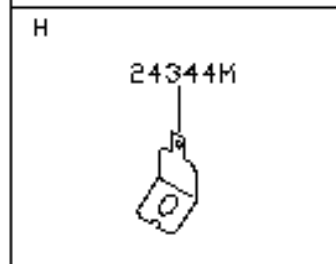
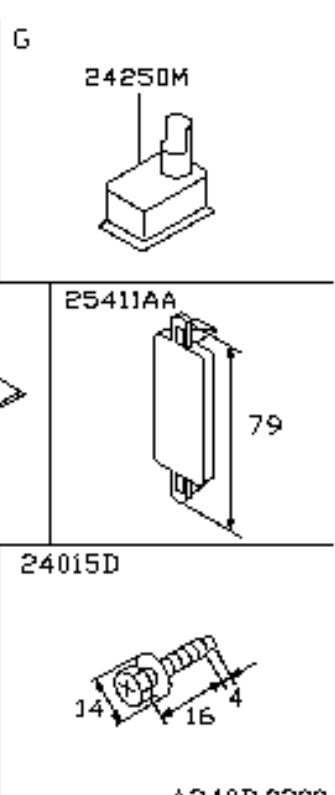
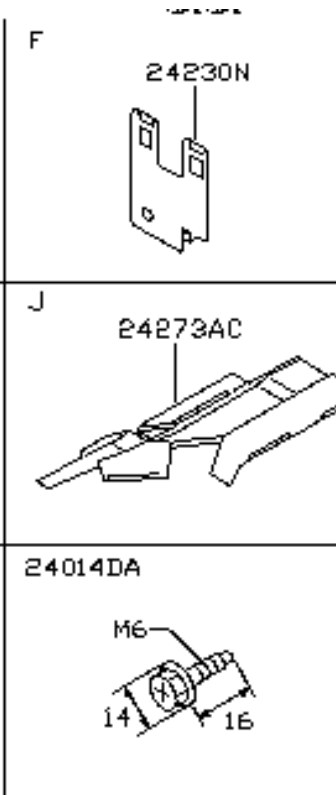
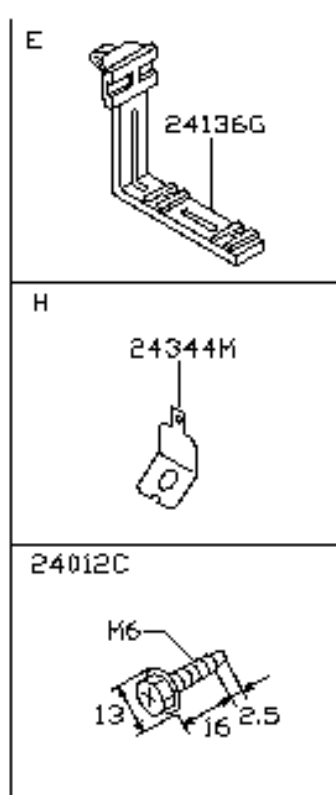
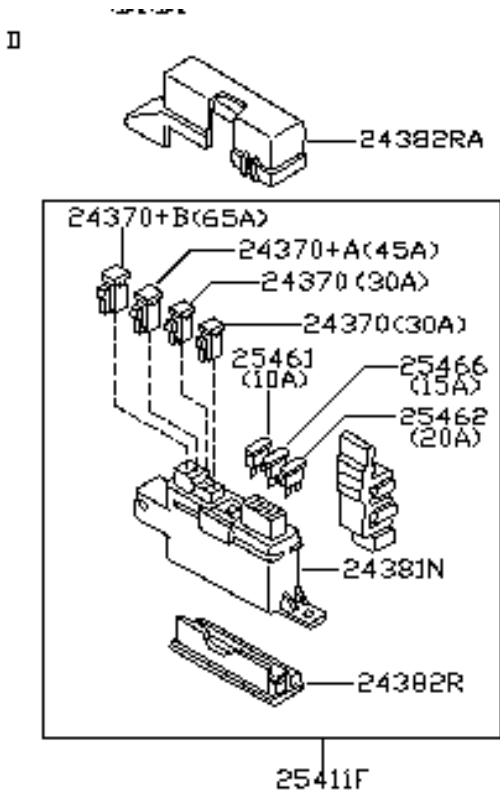
Nissan Skyline R33 - Wiring - Page 4



[Page 5](#)

[Back To Body Electrical](#)

Nissan Skyline R33 - Wiring - Page 5

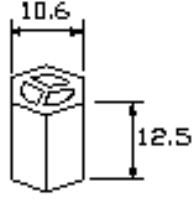

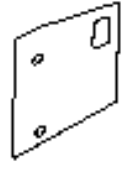
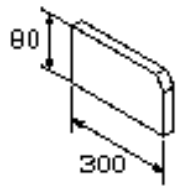

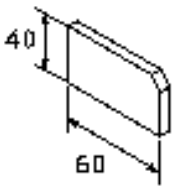


AP40D 0P00

[Page 6](#)

[Back To Body Electrical](#)

Nissan Skyline R33 - Wiring - Page 6

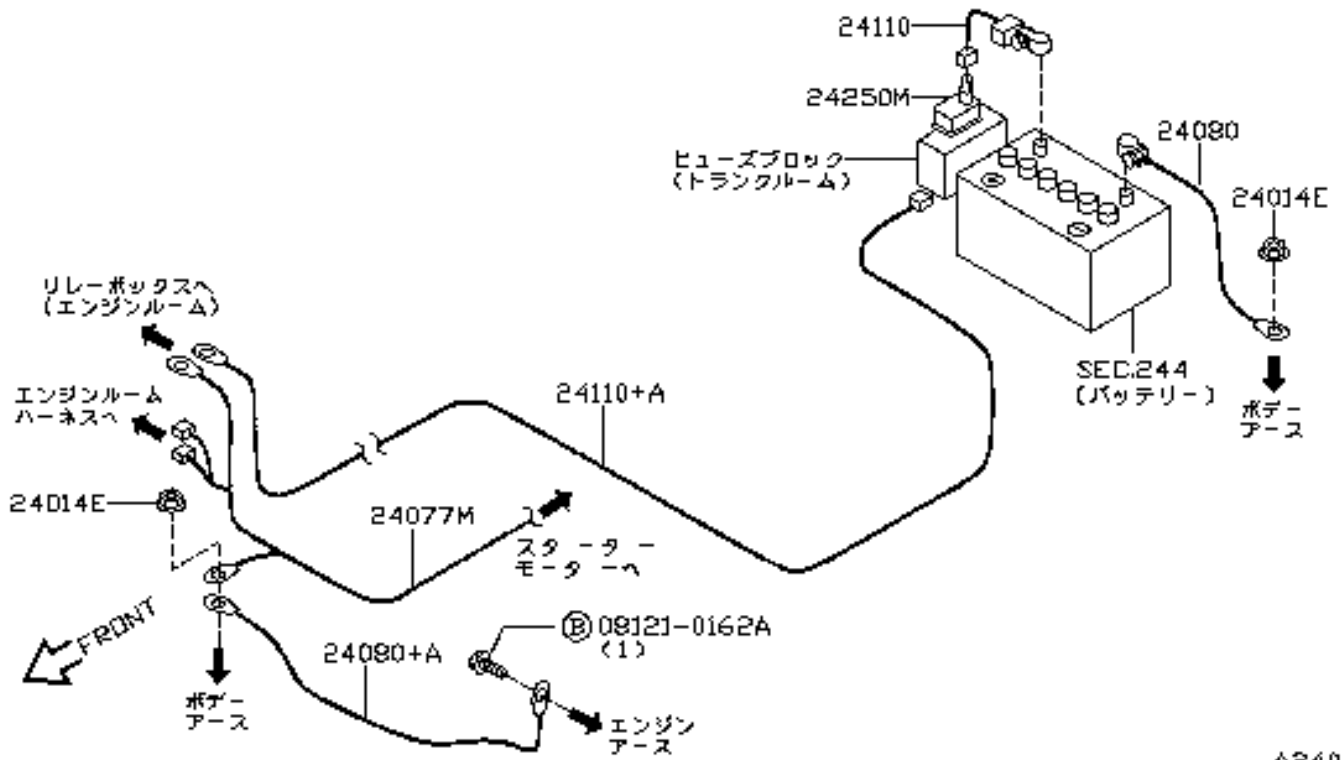
24215R 	24270X 	24271C 	24271CA 	24276C 	24271CB 

AP40D 02/01

[Page 7](#)

[Back To Body Electrical](#)

Nissan Skyline R33 - Wiring - Page 7



AP400 0250

[Page 8](#)

[Back To Body Electrical](#)

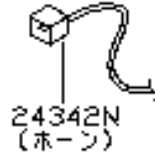
Nissan Skyline R33 - Wiring - Page 8

※コネクタ-ASSY, リペアーは下記の
部位について設定しています。

- ◆外装ランプ
- ◆汎用リレー
- ◆ホーン
- ◆ラジオ

※コネクタ-ASSYの交換作業については
必ず、サービス・テクニカル・インフォ
メーション A601797または、部品図章
92-074の交換要領に従って行って下
さい。

(1極)



(2極)



24342P	ライセンスランプ (P01FB)
24342PA	サイドフラッシャーランプ (Z02FBY)
24342PB	FRターンシグナルランプ (M02FB) GTR

(3極)



24342Q	ヘッドランプ (RS03FGY)
24342QA	FRフォグランプ (Z03FGY)
24342QB	FRターンシグナルランプ (Z03FBY) GTR以外
24342QC	リレー (M03FY-R)

(4極)



24342R
リレー (M04FL-LS)

(5極)



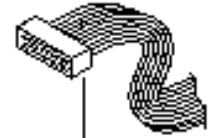
24342U
リレー,IT(M05FB-1S)

(6極)



24342V	リヤコンビランプ (C06FW)
24342VA	リレー (M06FBR-R)
24342VB	リレー (M06FGY-R)
24342VC	ラジオ (NS06FW)

(10極)



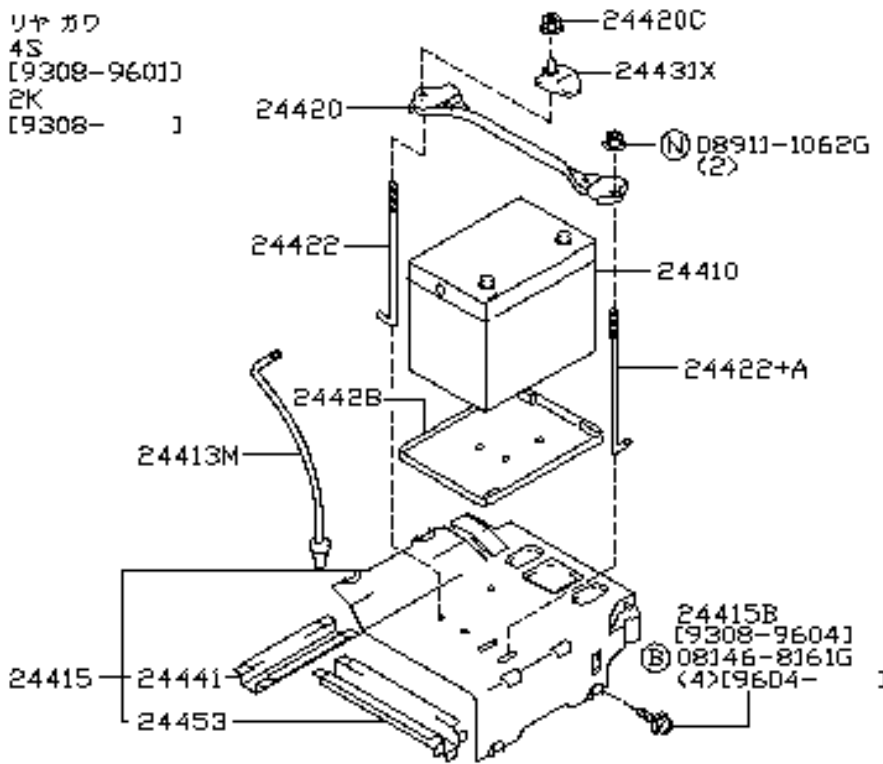
24342Z
ラジオ (NS10FW)

AP40X 0053

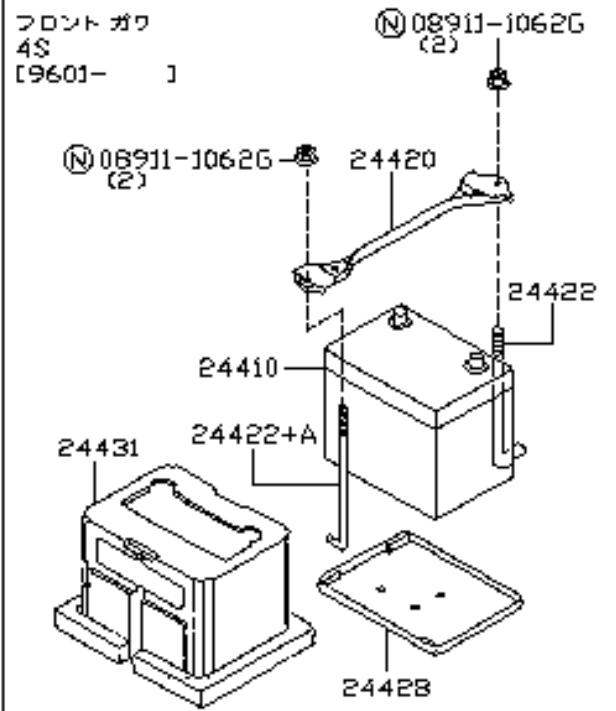
[Back To Body Electrical](#)

Nissan Skyline R33 - Battery

リヤ ガワ
4S
[9308-9601]
2K
[9308-



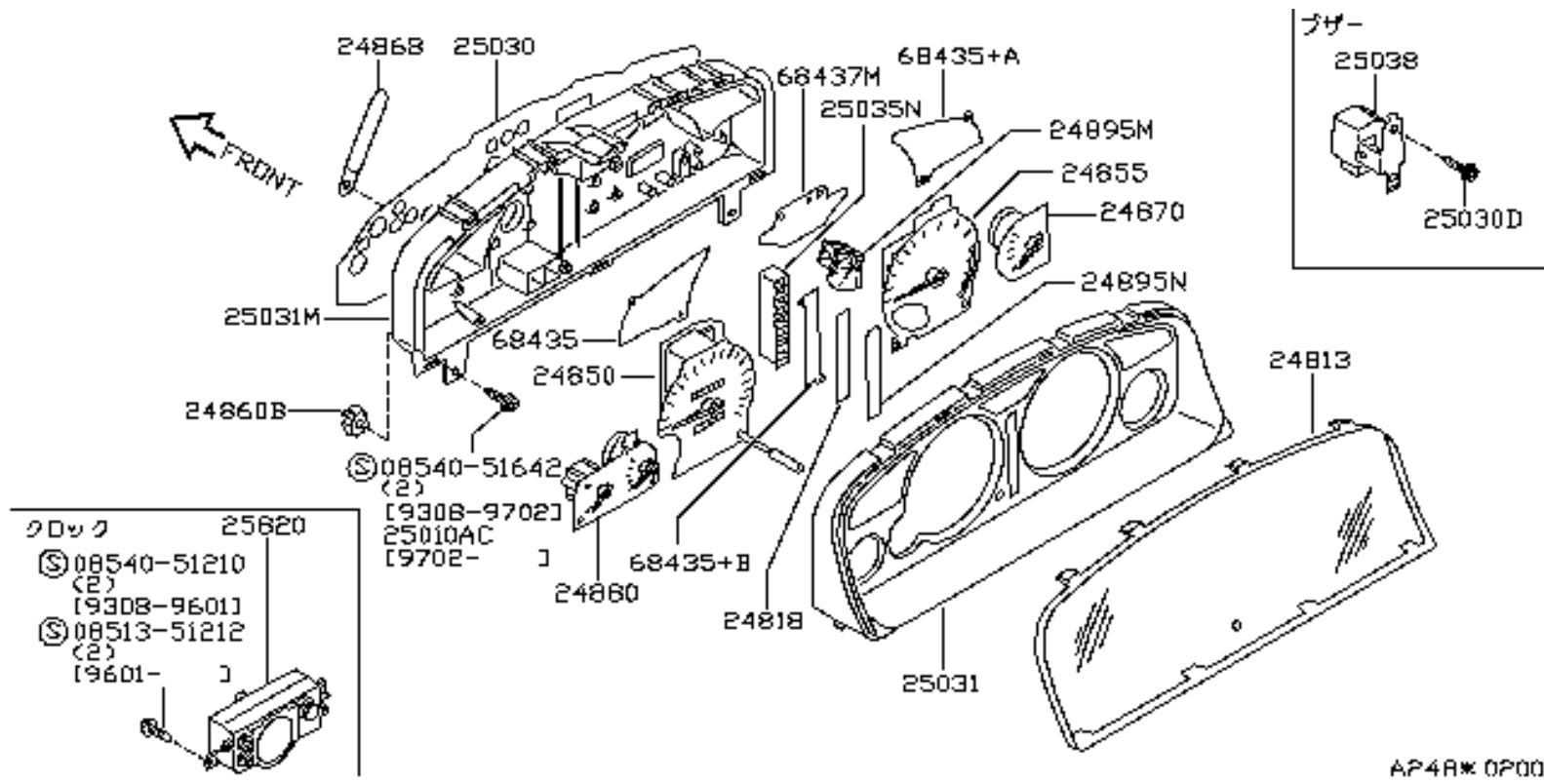
フロント ガワ
4S
[9601-



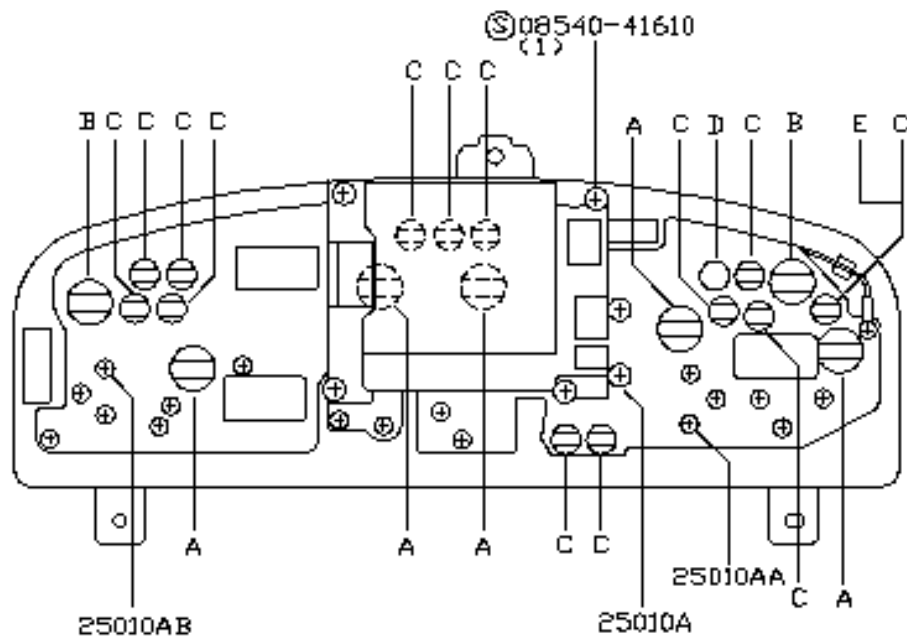
A244*0172

[Back To Body Electrical](#)

Nissan Skyline R33 - Instrument Gauges



Nissan Skyline R33 - Instruments & Gauges - Page 2



バルブ&ソケット 取り付け位置

位置	仕様	コードNO.
A	14V-3.4W	24860P
B	14V-3.4WL	24860PA
C	14V-1.4W	24860PB
D	LED (エアバック用)	25030G
E	14V-1.4W	24860PC

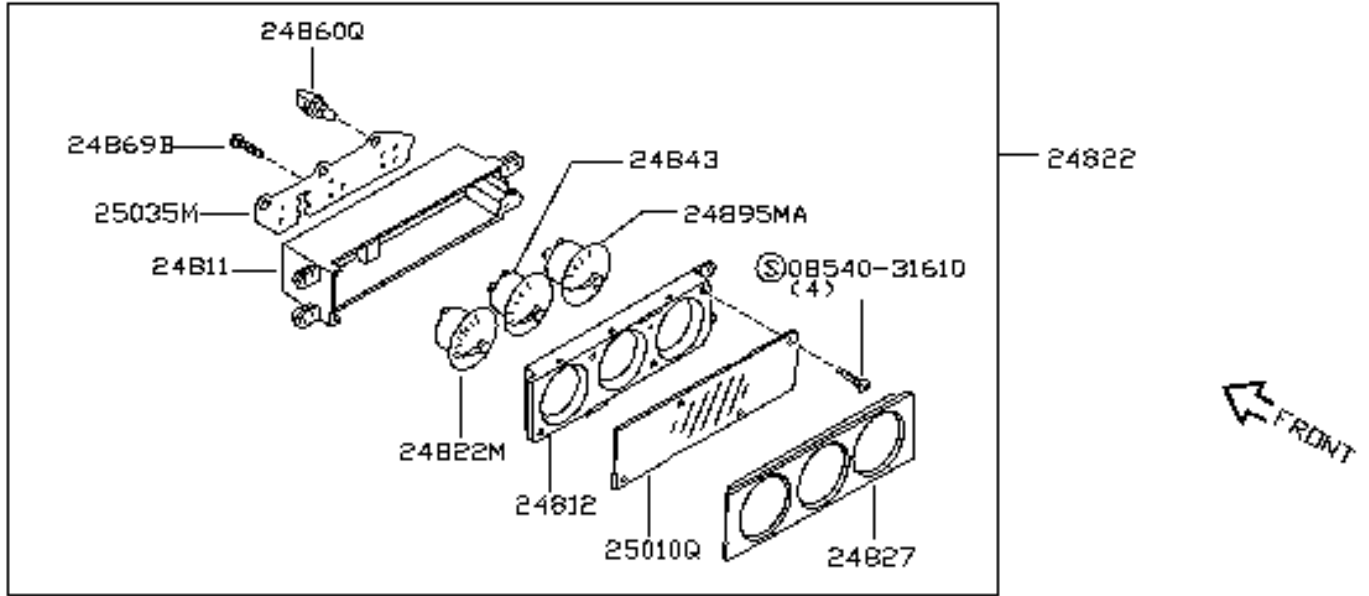
(注) ★印は非販売(バルブ、ソケット単品は非販売)

AP4B* 0201

[Page 3](#)

[Back To Body Electrical](#)

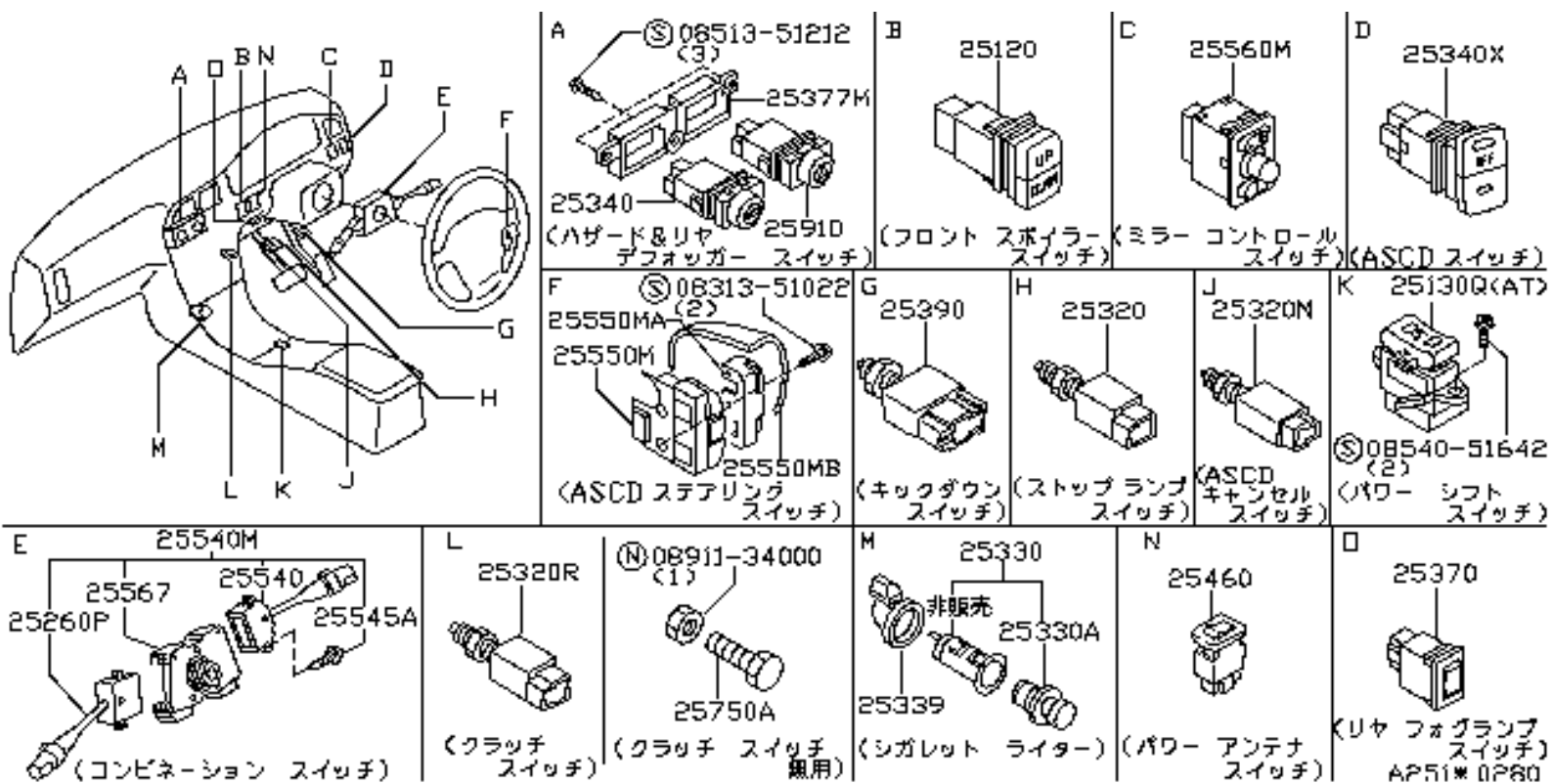
Nissan Skyline R33 - Instruments & Gauges - Page 3



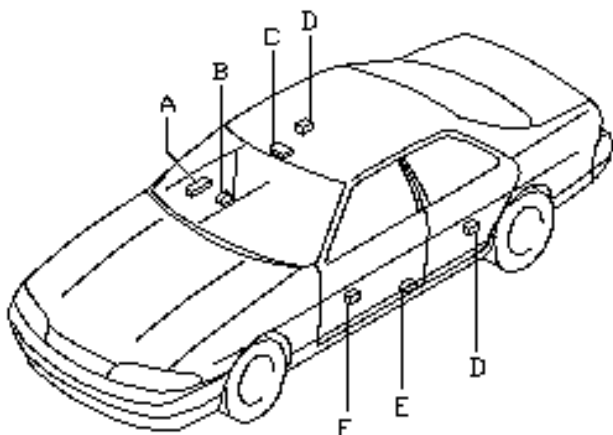
A248* 0242

[Back To Body Electrical](#)

Nissan Skyline R33 - Switches



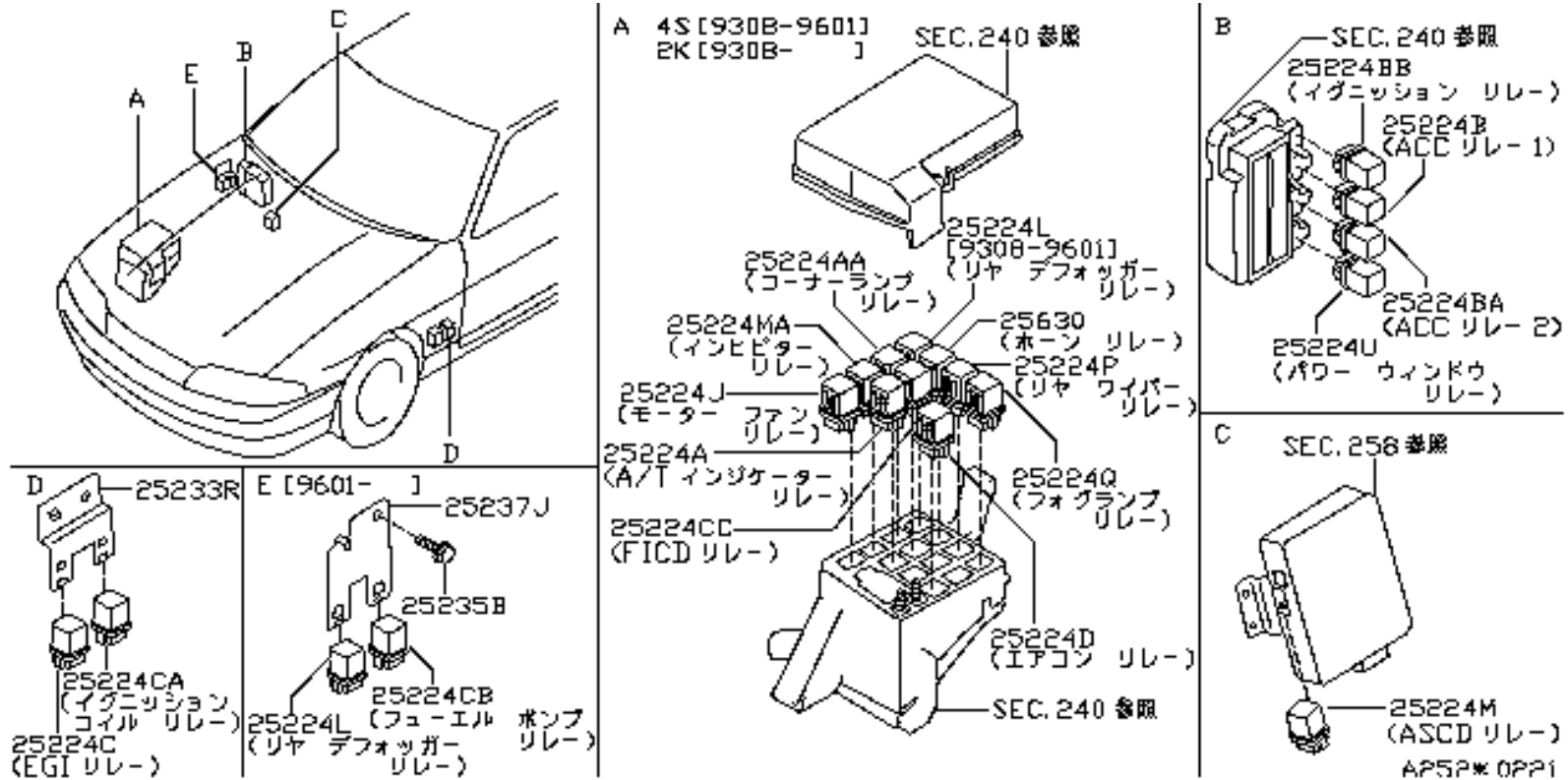
Nissan Skyline R33 - Switches - Page 2



<p>A</p> <p>25750 25120A ③ 08513-51212 (4)</p> <p>(パワーウィンド スイッチ)</p>	<p>B</p> <p>25360 25369 25360A</p> <p>(ドア スイッチ)</p>	<p>C</p> <p>25190 ③ 08310-51008 (2)</p> <p>(サンルーフ スイッチ)</p>
<p>D</p> <p>25420U</p> <p>(パワーウィンド リヤ スイッチ)</p>	<p>E</p> <p>25360+A 25369+A 25360A</p> <p>(ドア スイッチ)</p>	<p>F</p> <p>25750M</p> <p>(パワーウィンド アシスト スイッチ) AP51*0281</p>

[Back To Body Electrical](#)

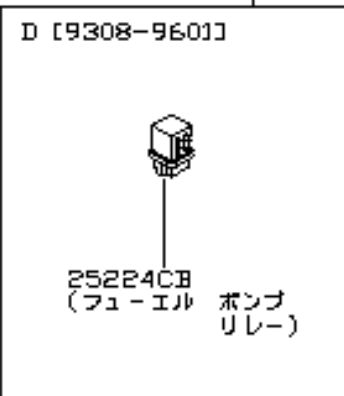
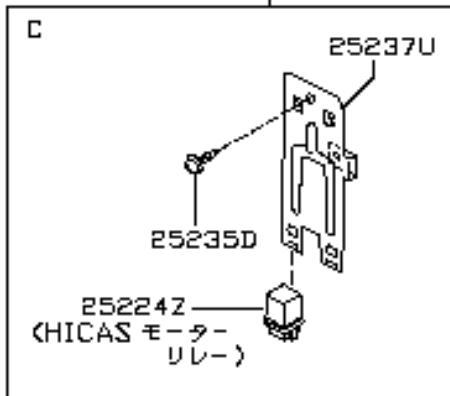
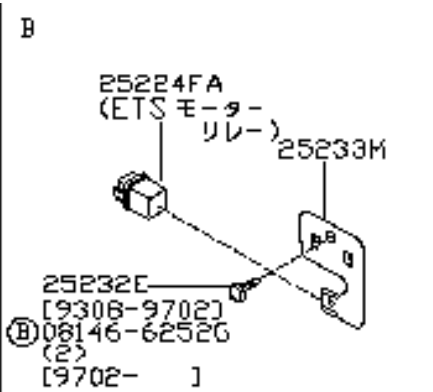
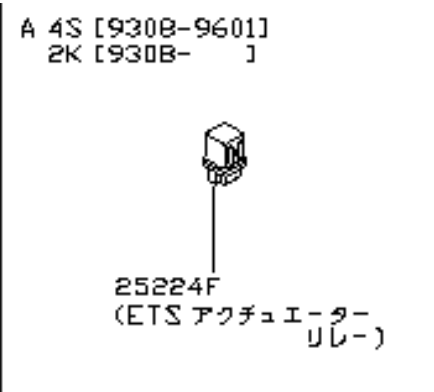
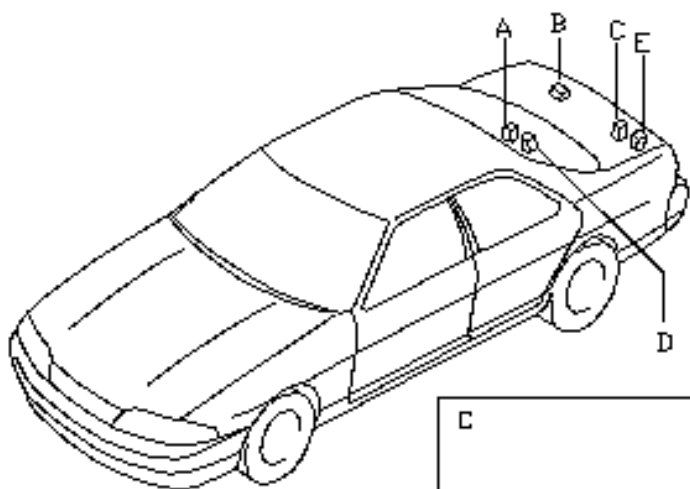
Nissan Skyline R33 - Relays



[Page 2](#)

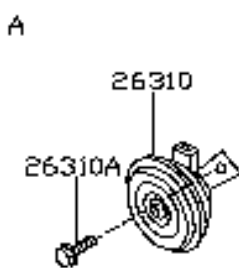
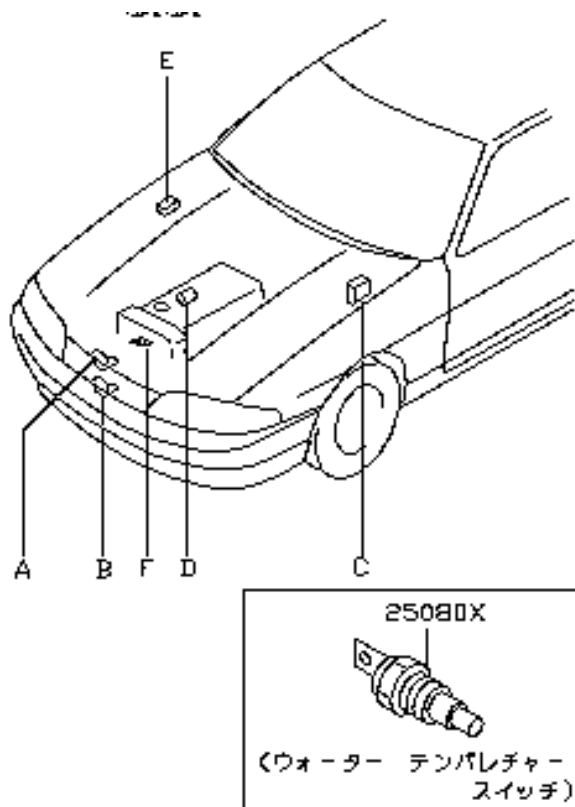
[Back To Body Electrical](#)

Nissan Skyline R33 - Relays - Page 2

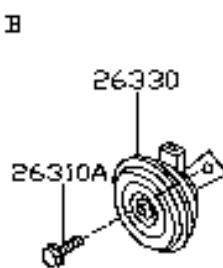


[Back To Body Electrical](#)

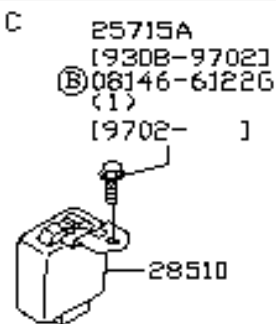
Nissan Skyline R33 - Electrical Units



(ホーン、ハイ)



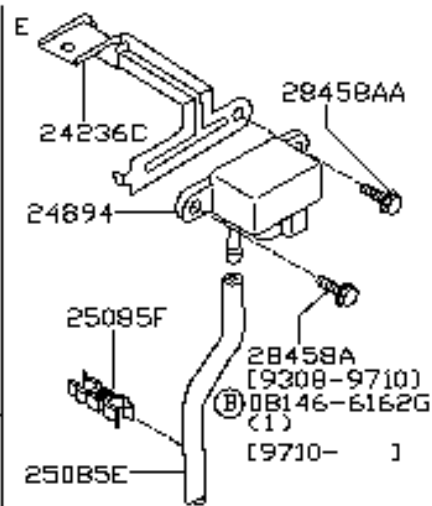
(ホーン、ロー)



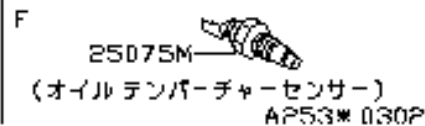
(ワイパー アンプ)



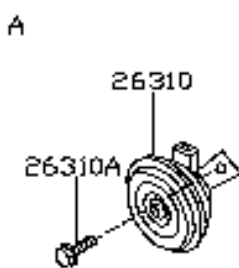
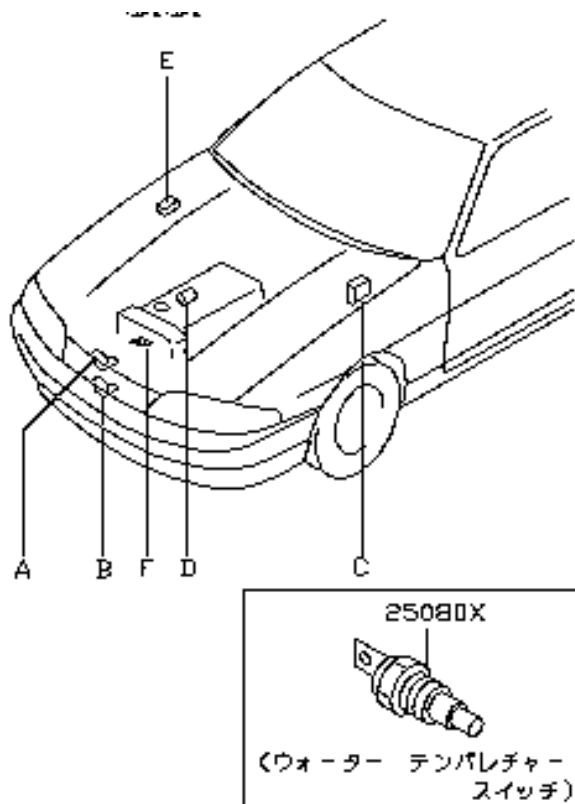
(オイル プレッシヤー センサー)



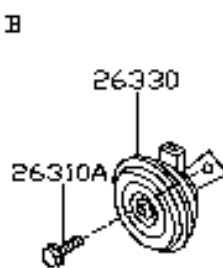
↓
インターク
マニホールドへ
(ブースト センサー)



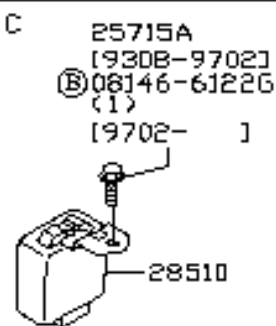
Nissan Skyline R33 - Electrical Units - Page 2



(ホーン、ハイ)



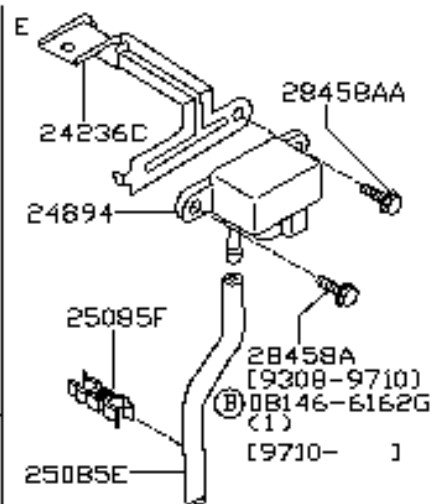
(ホーン、ロー)



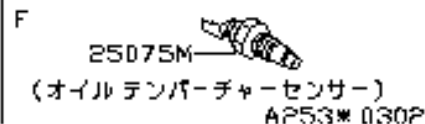
(ワイパー アンプ)



(オイル プレッシャー センサー)



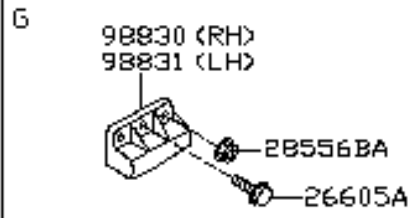
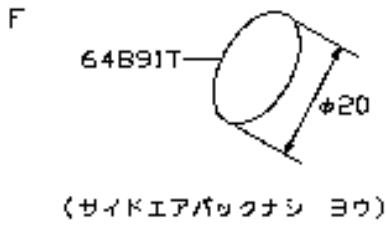
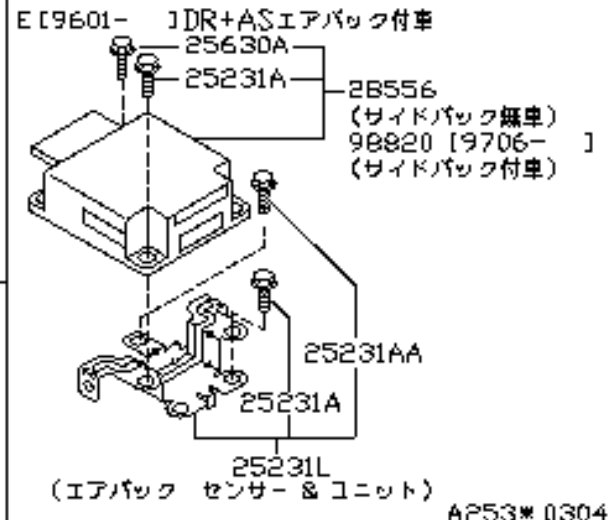
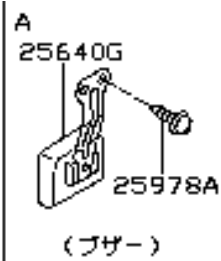
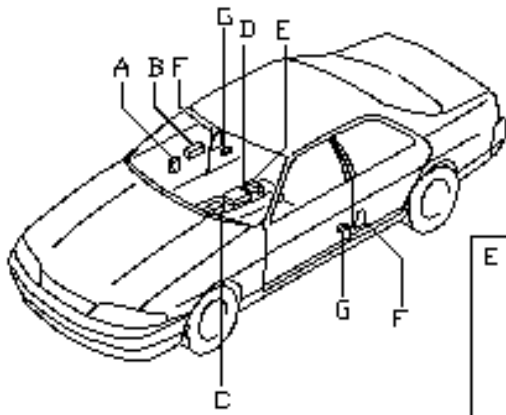
↓
 インテーク
 マニホールドへ
 (ブースト センサー)



[Page 3](#)

[Back To Body Electrical](#)

Nissan Skyline R33 - Electrical Units - Page 3

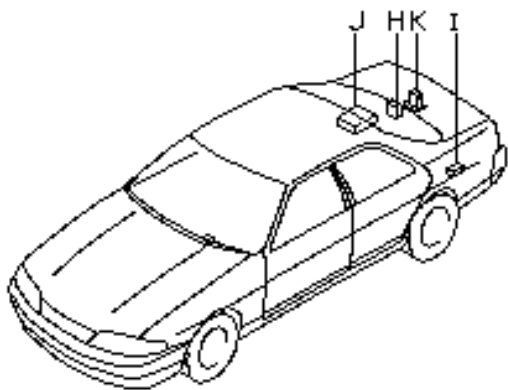


AP53* 0304

[Page 4](#)

[Back To Body Electrical](#)

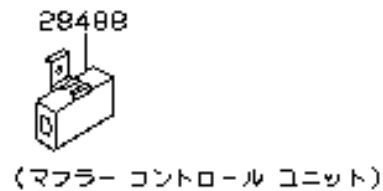
Nissan Skyline R33 - Electrical Units - Page 4



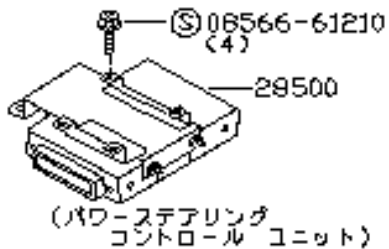
H



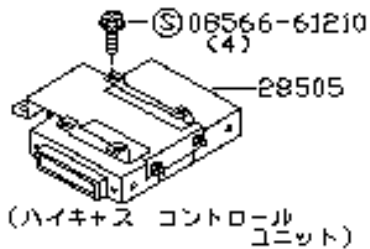
I



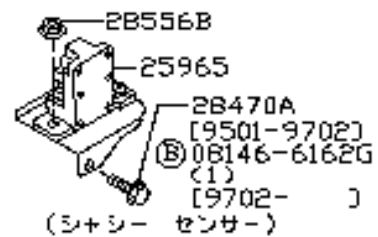
J



J



K



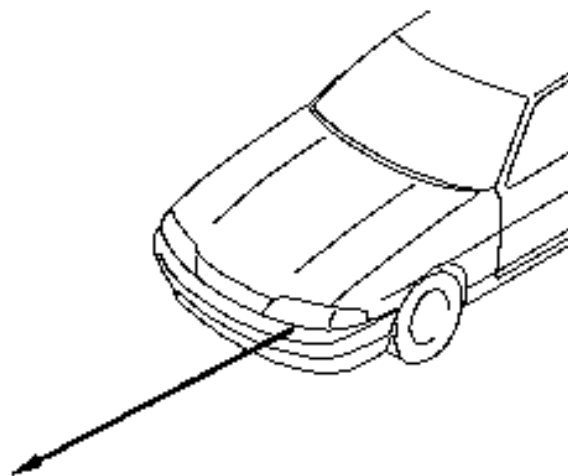
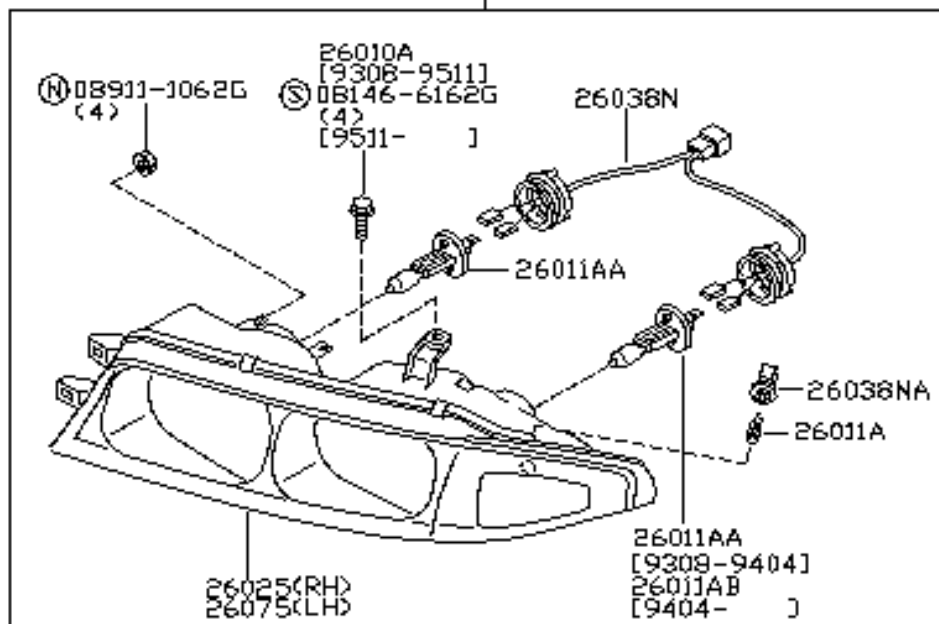
A253* 047P

[Back To Body Electrical](#)

Nissan Skyline R33 - Head Lamp

4S [9308-9601]
2K [9308-]

26010 (RH)
26060 (LH)



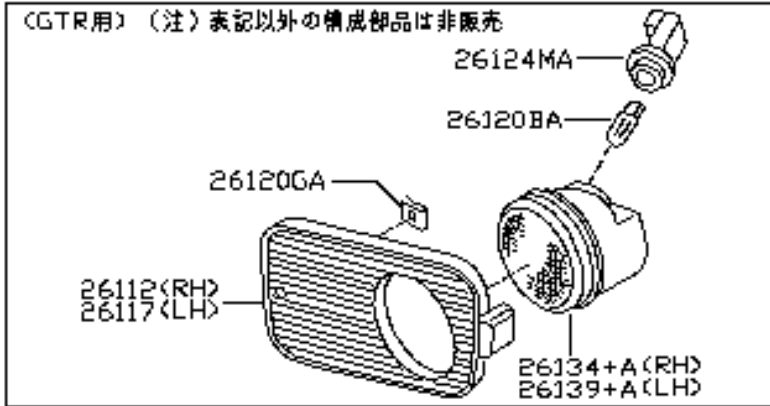
A260* 0151

[Back To Body Electrical](#)

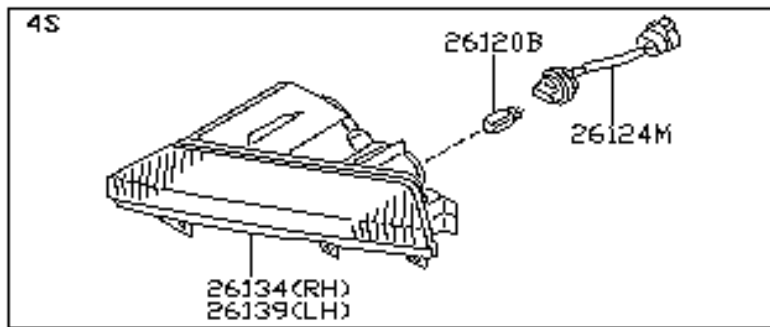
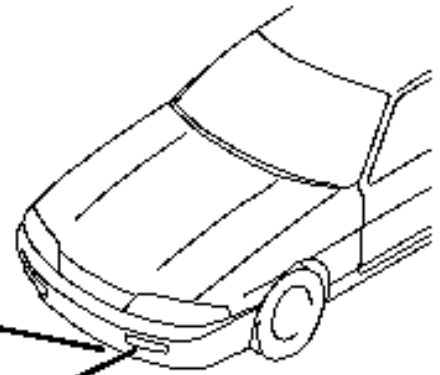
Nissan Skyline R33 - Front Flasher Lamp

（GTRを除く2Kは、SEC.263参照）

（GTR用）（注）表記以外の構成部品は非販売



26120MA (RH)
26125MA (LH)

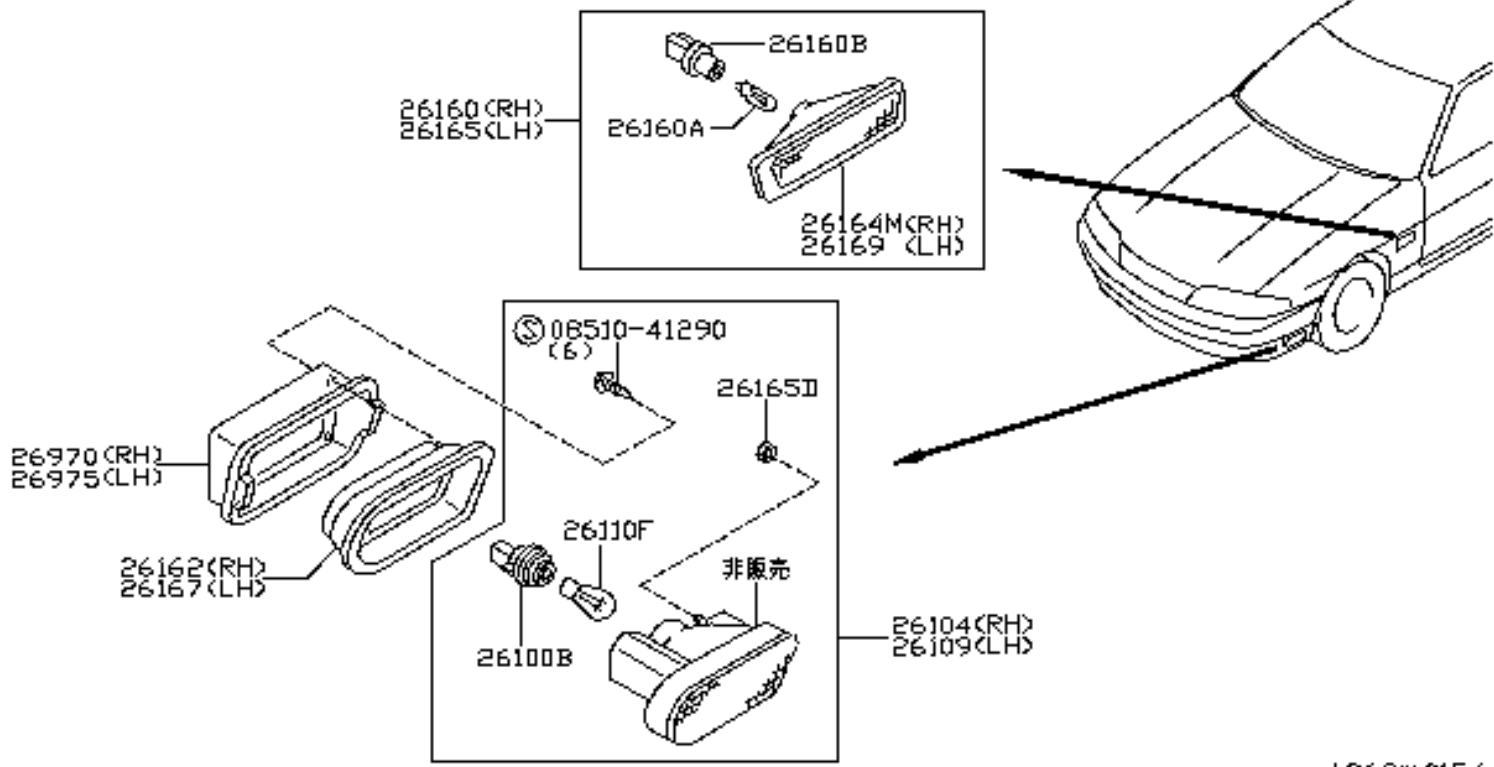


26120M (RH)
26125M (LH)

AP61* 0220

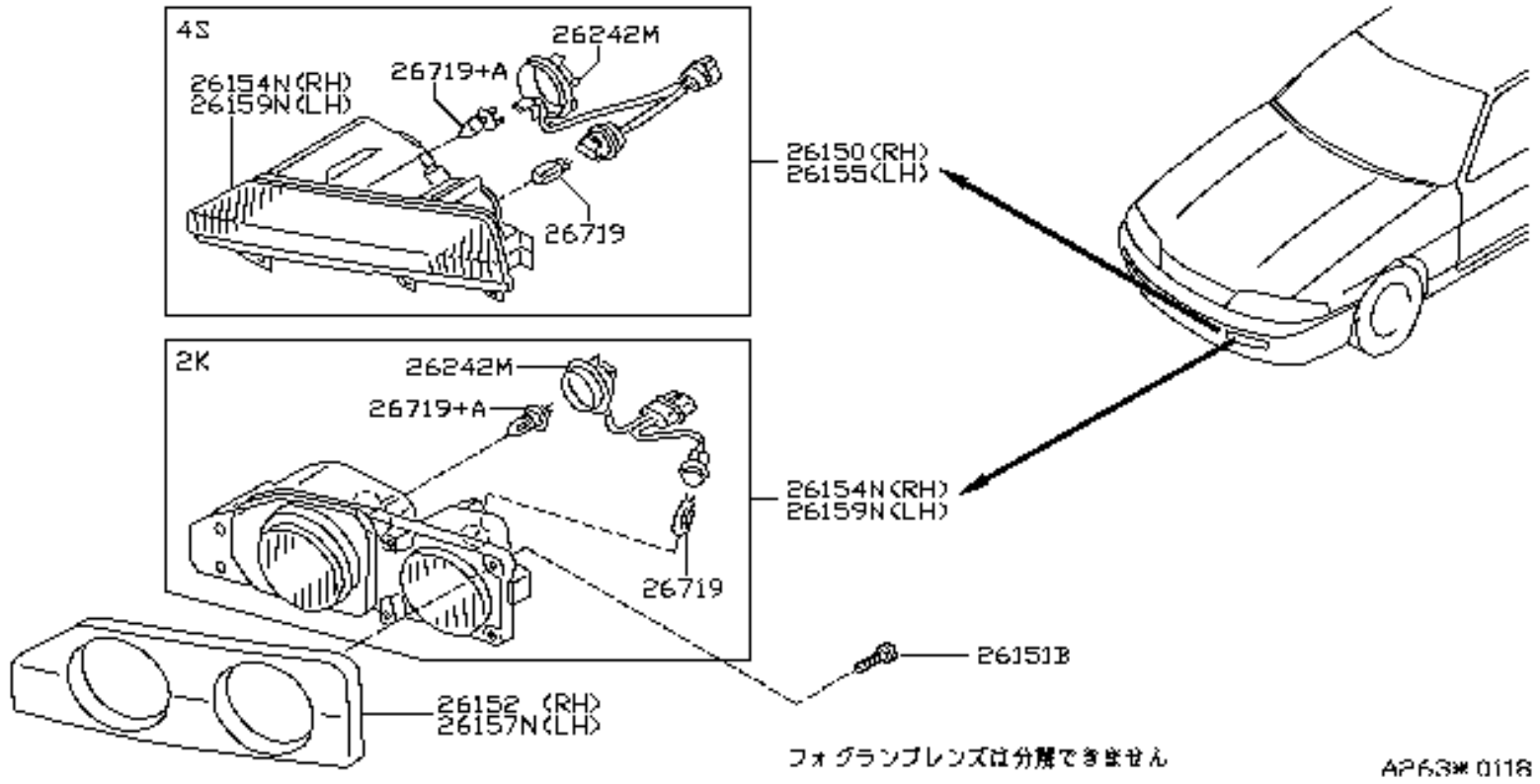
[Back To Body Electrical](#)

Nissan Skyline R33 - Side Marker Lamp



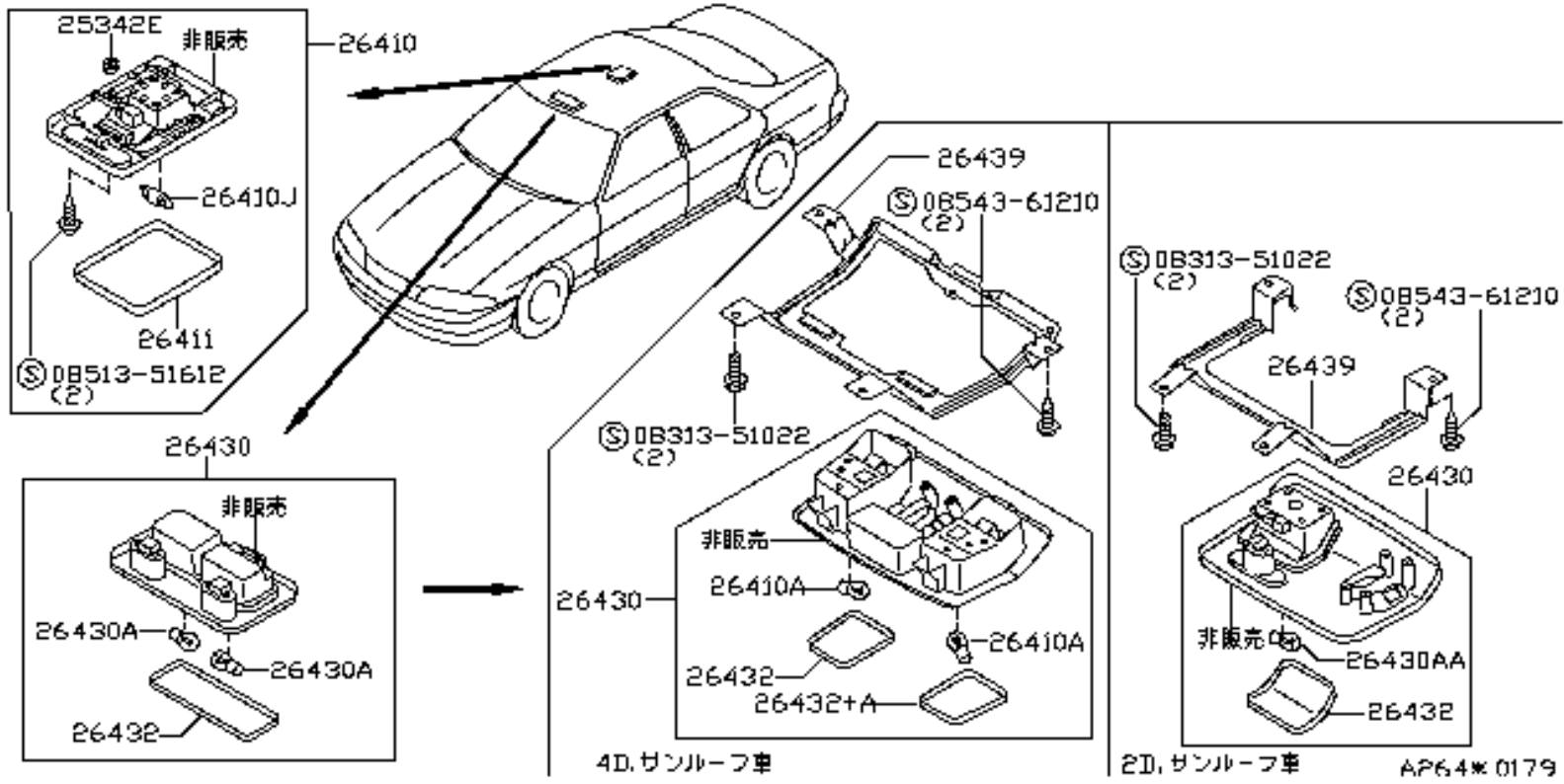
[Back To Body Electrical](#)

Nissan Skyline R33 - Fog Lamps



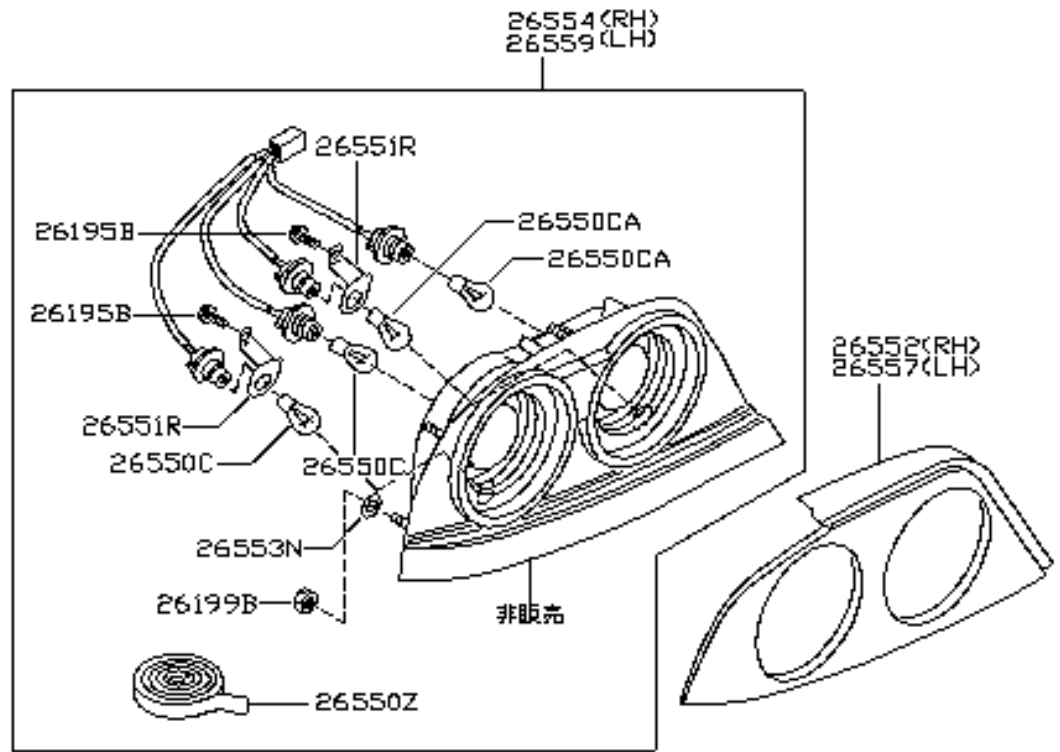
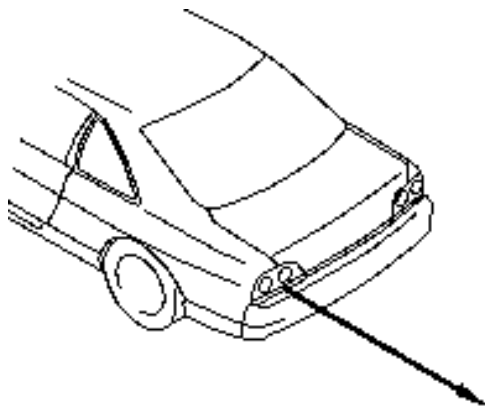
[Back To Body Electrical](#)

Nissan Skyline R33 - Interior Lamp



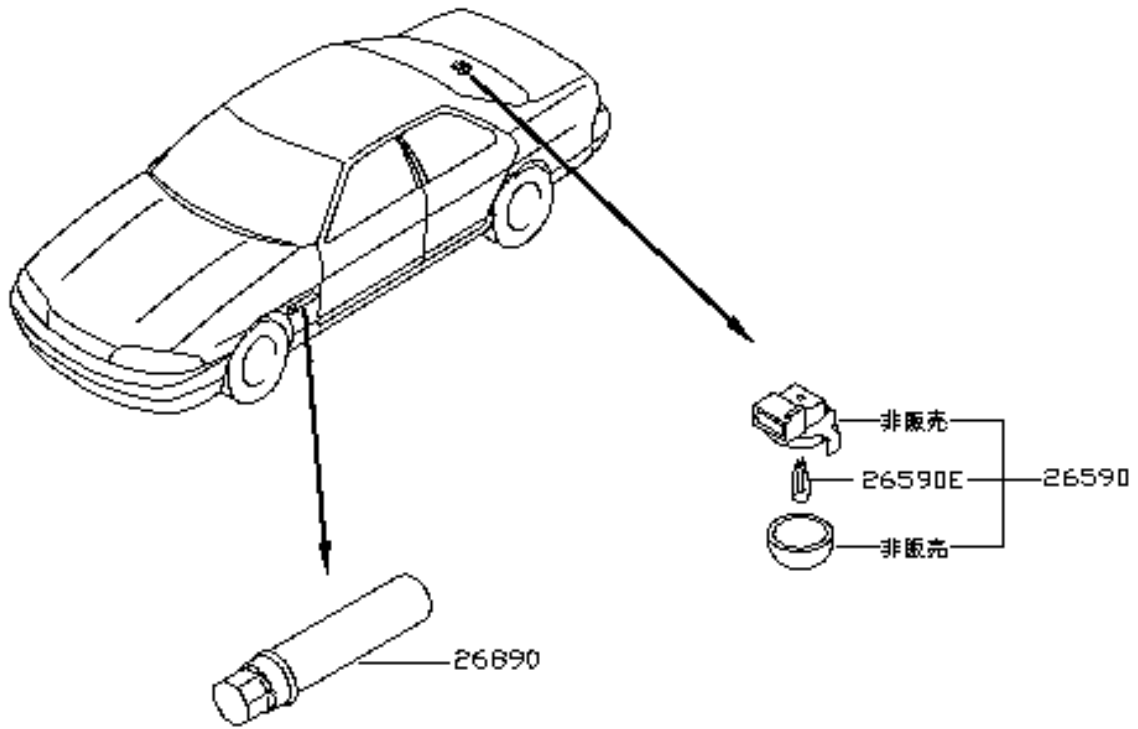
[Back To Body Electrical](#)

Nissan Skyline R33 - Rear Lamp



[Back To Body Electrical](#)

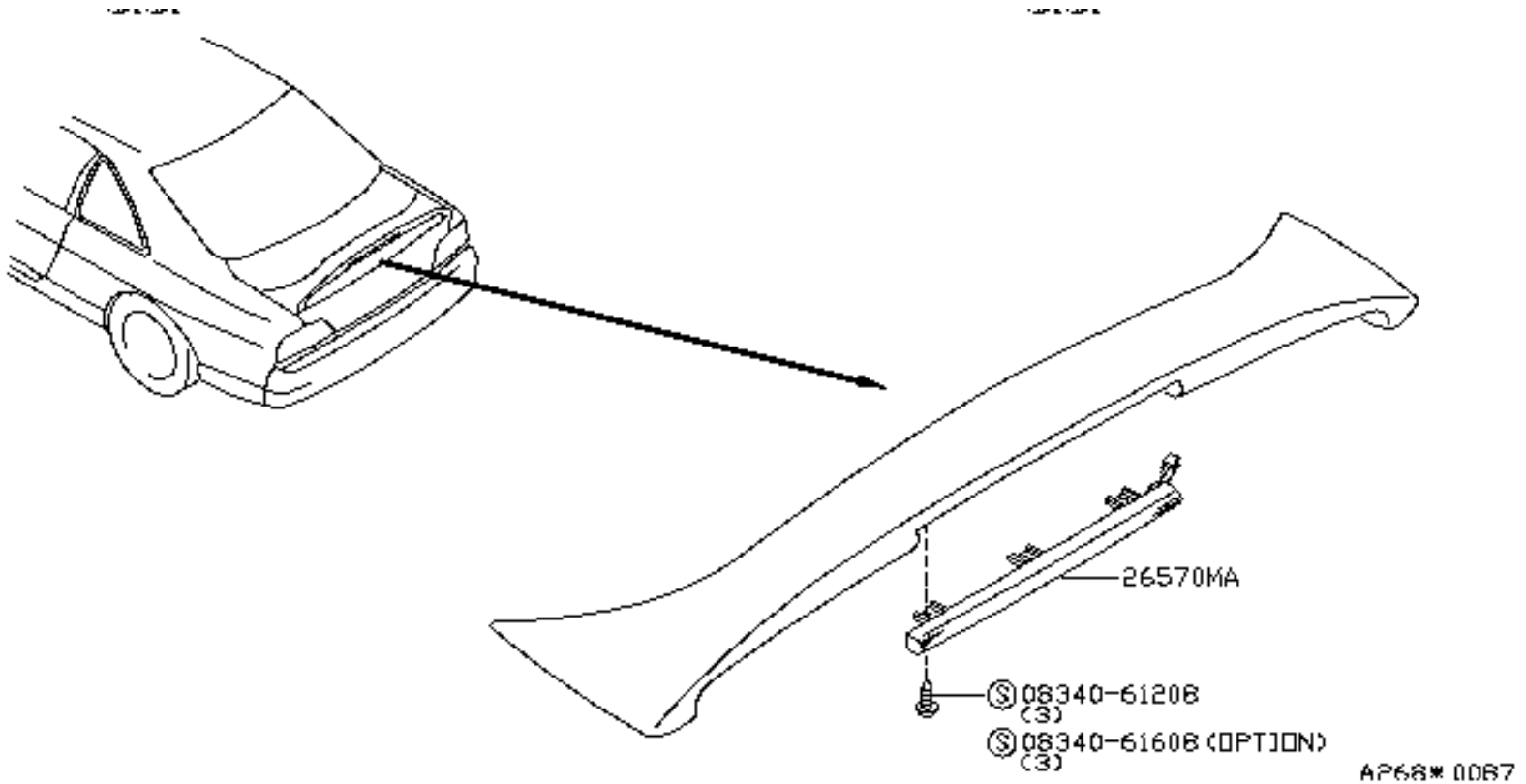
Nissan Skyline R33 - Lamps (Others)



A267*0177

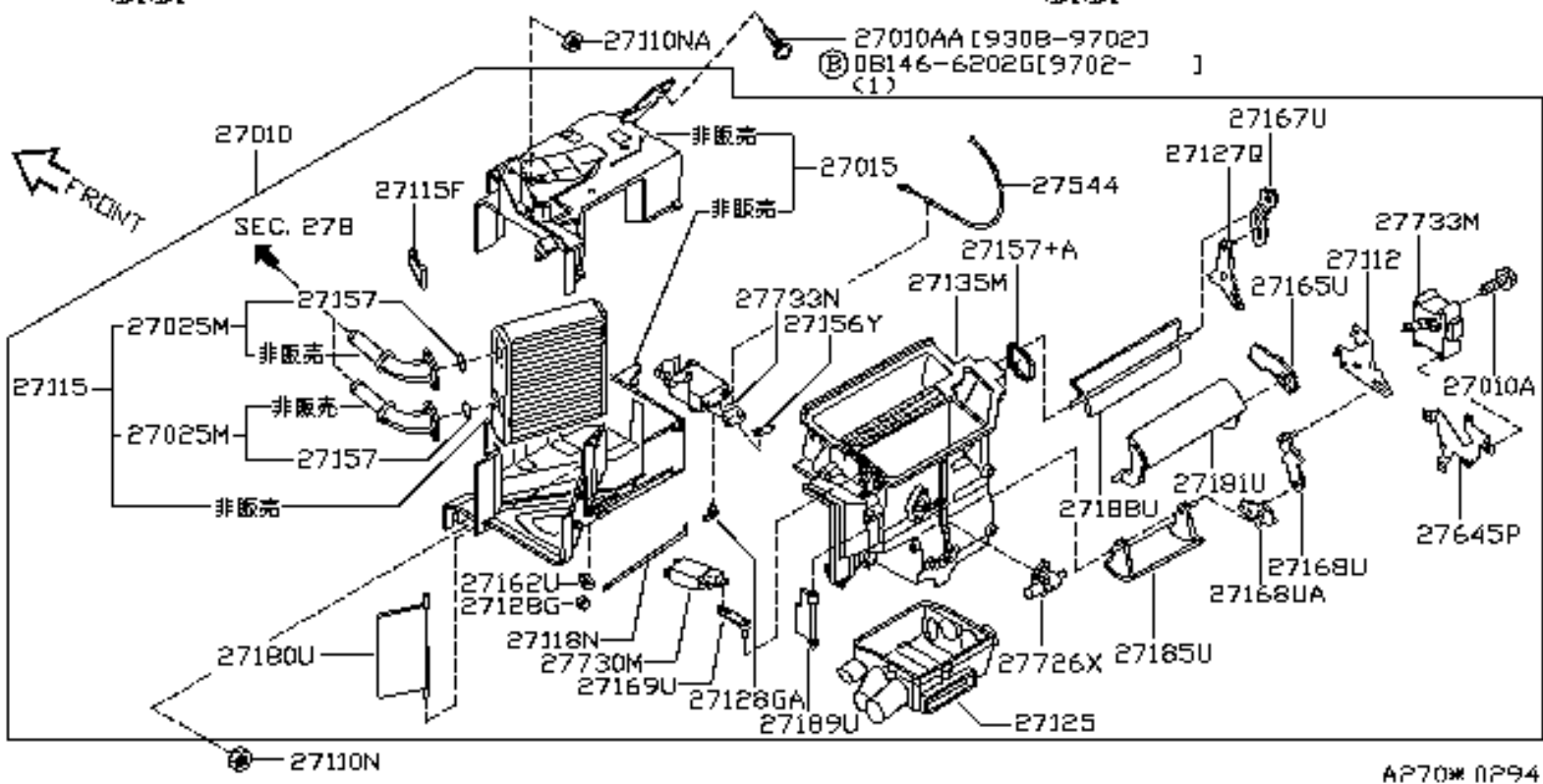
[Back To Body Electrical](#)

Nissan Skyline R33 - High Level Brake Light

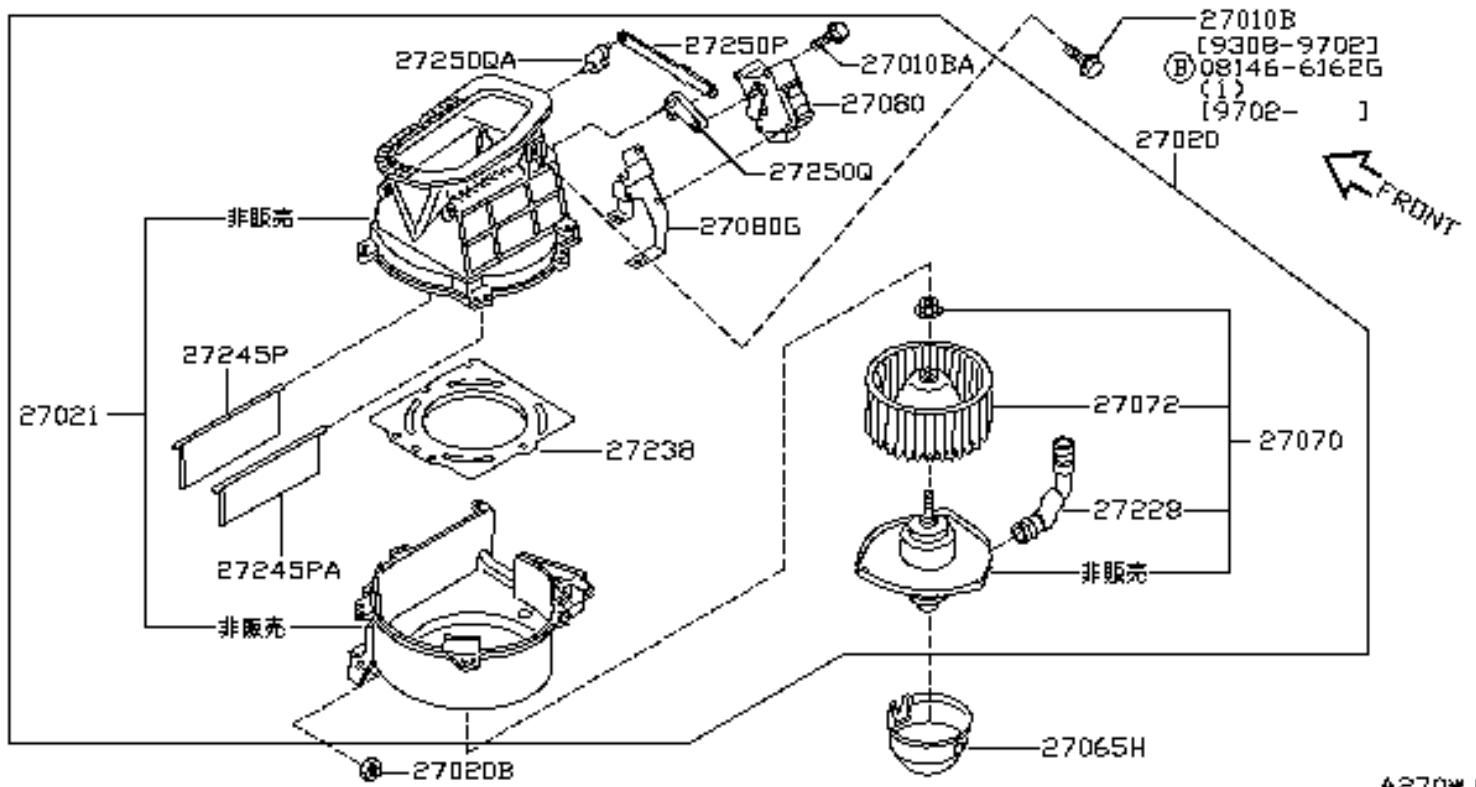


[Back To Body Electrical](#)

Nissan Skyline R33 - Heater & Blower Unit



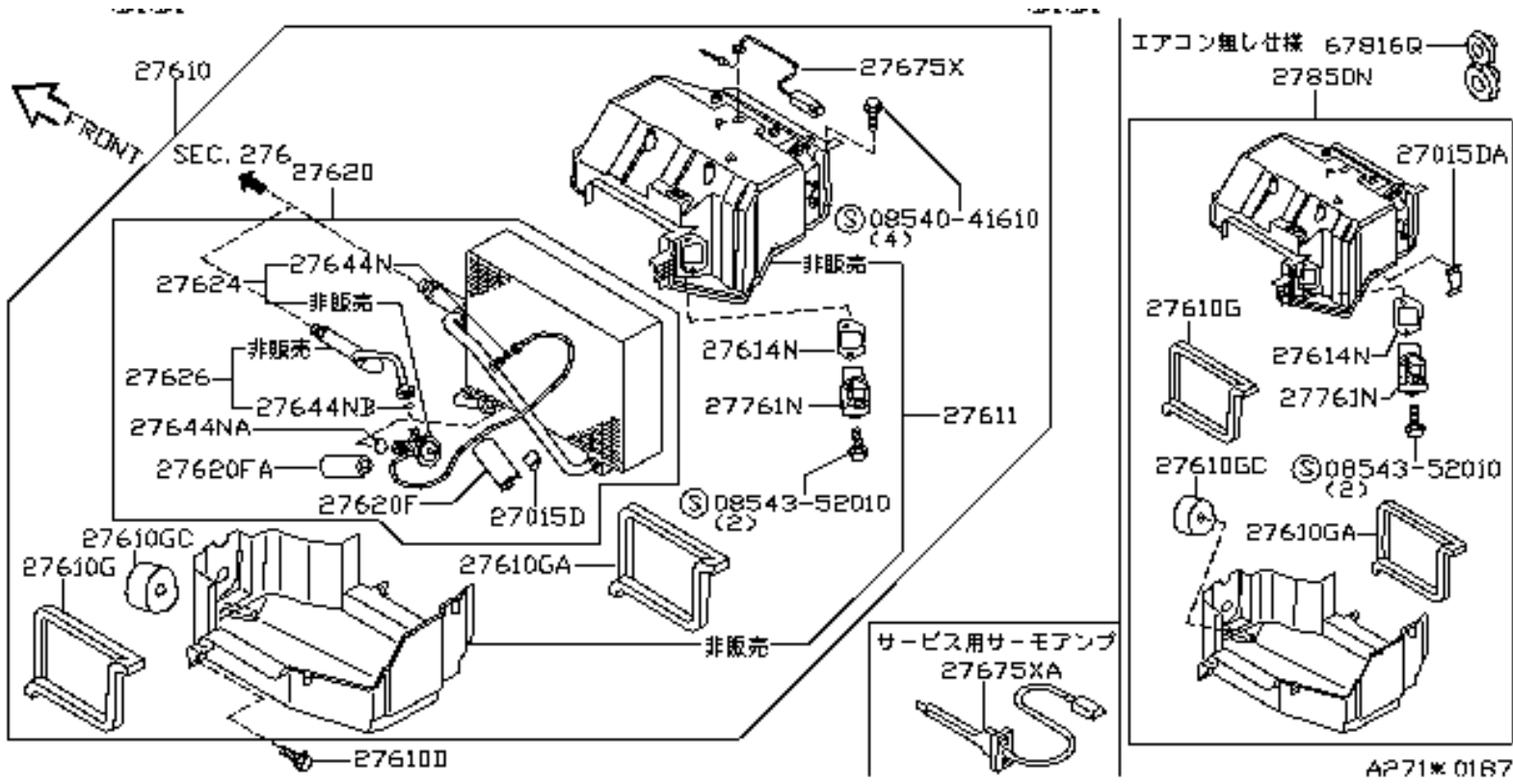
Nissan Skyline R33 - Heater & Blower Unit - Page 2



A270* 0295

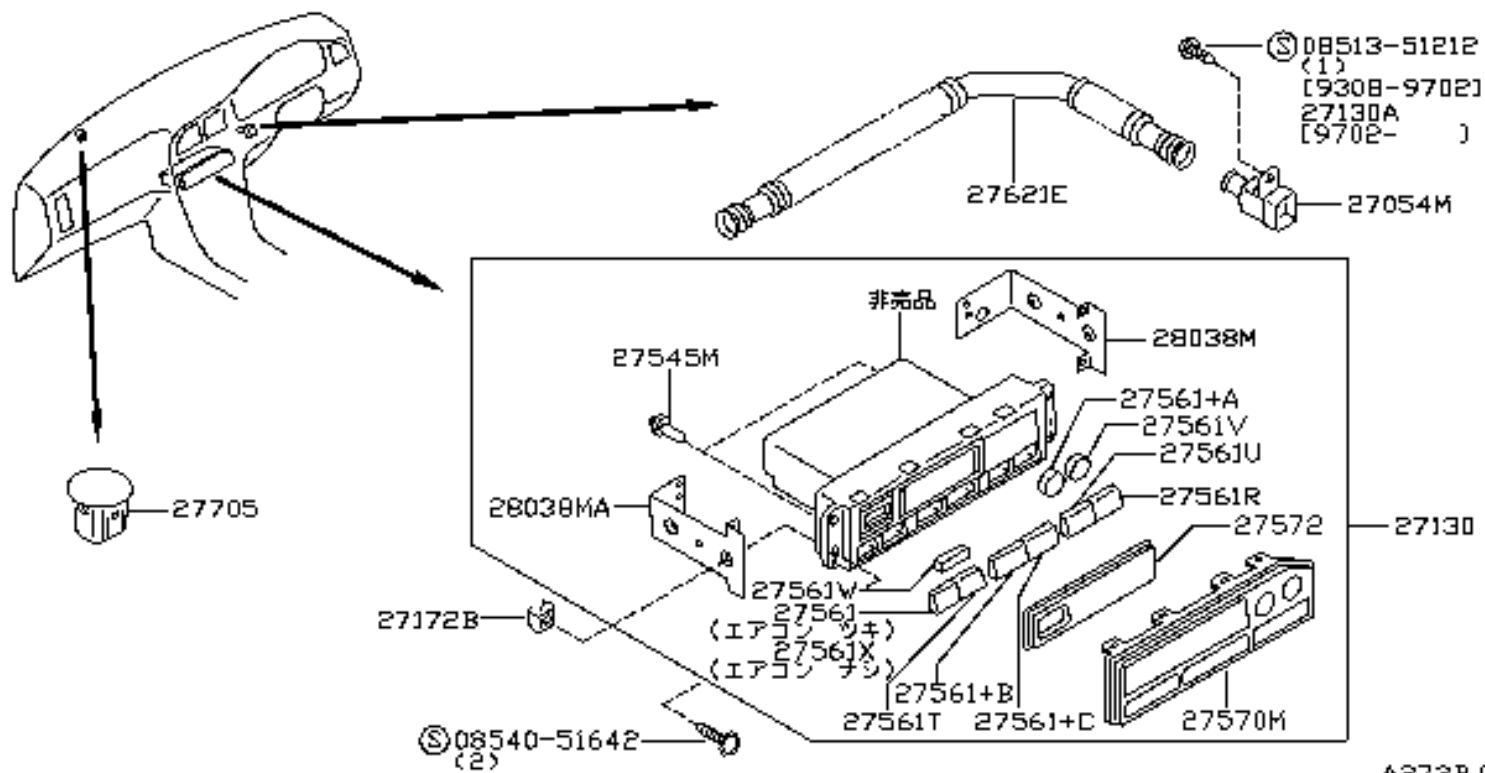
[Back To Body Electrical](#)

Nissan Skyline R33 - Cooling Unit



[Back To Body Electrical](#)

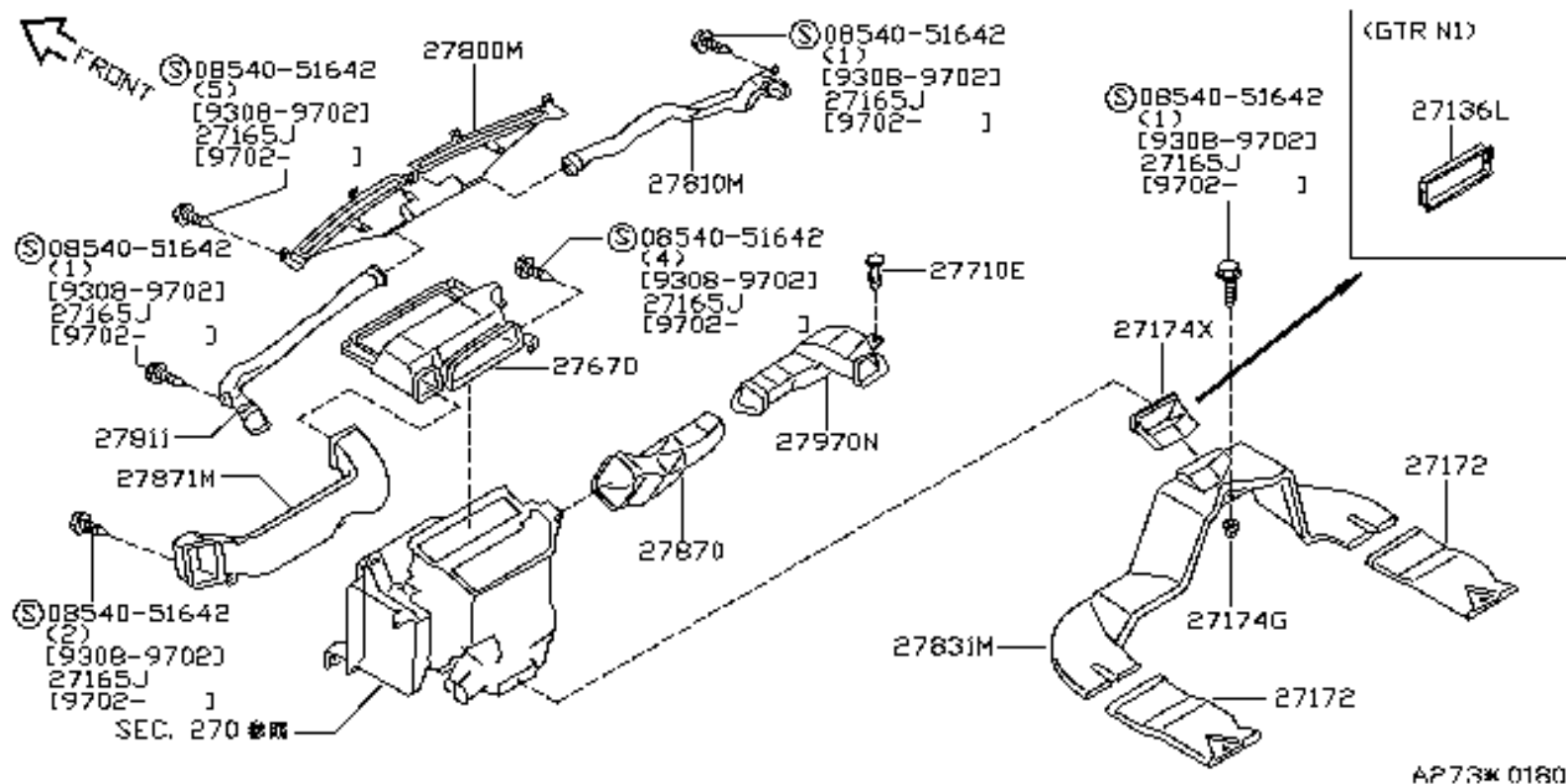
Nissan Skyline R33 - Heater Control



A272R 0062

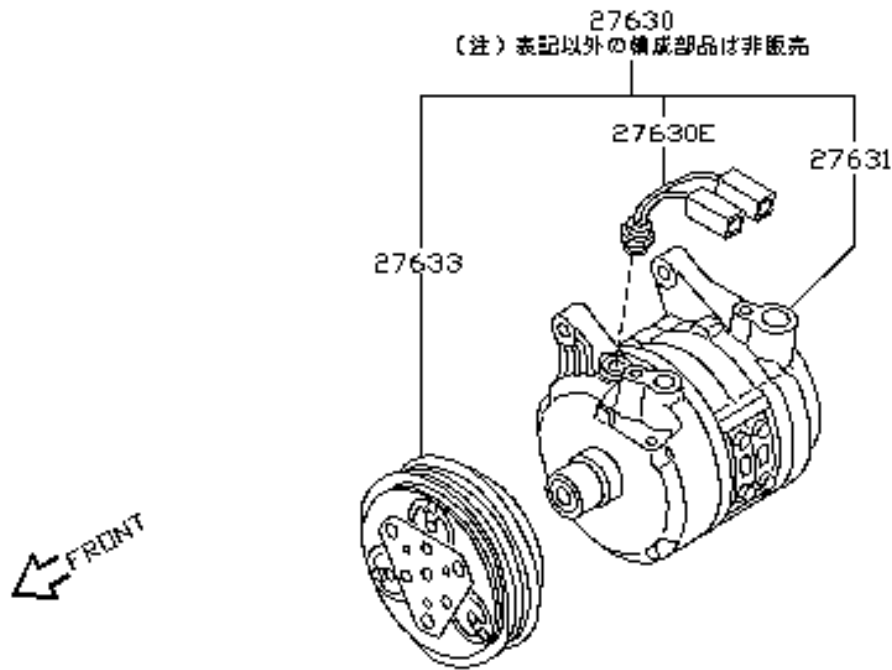
[Back To Body Electrical](#)

Nissan Skyline R33 - Nozzle & Ducts



[Back To Body Electrical](#)

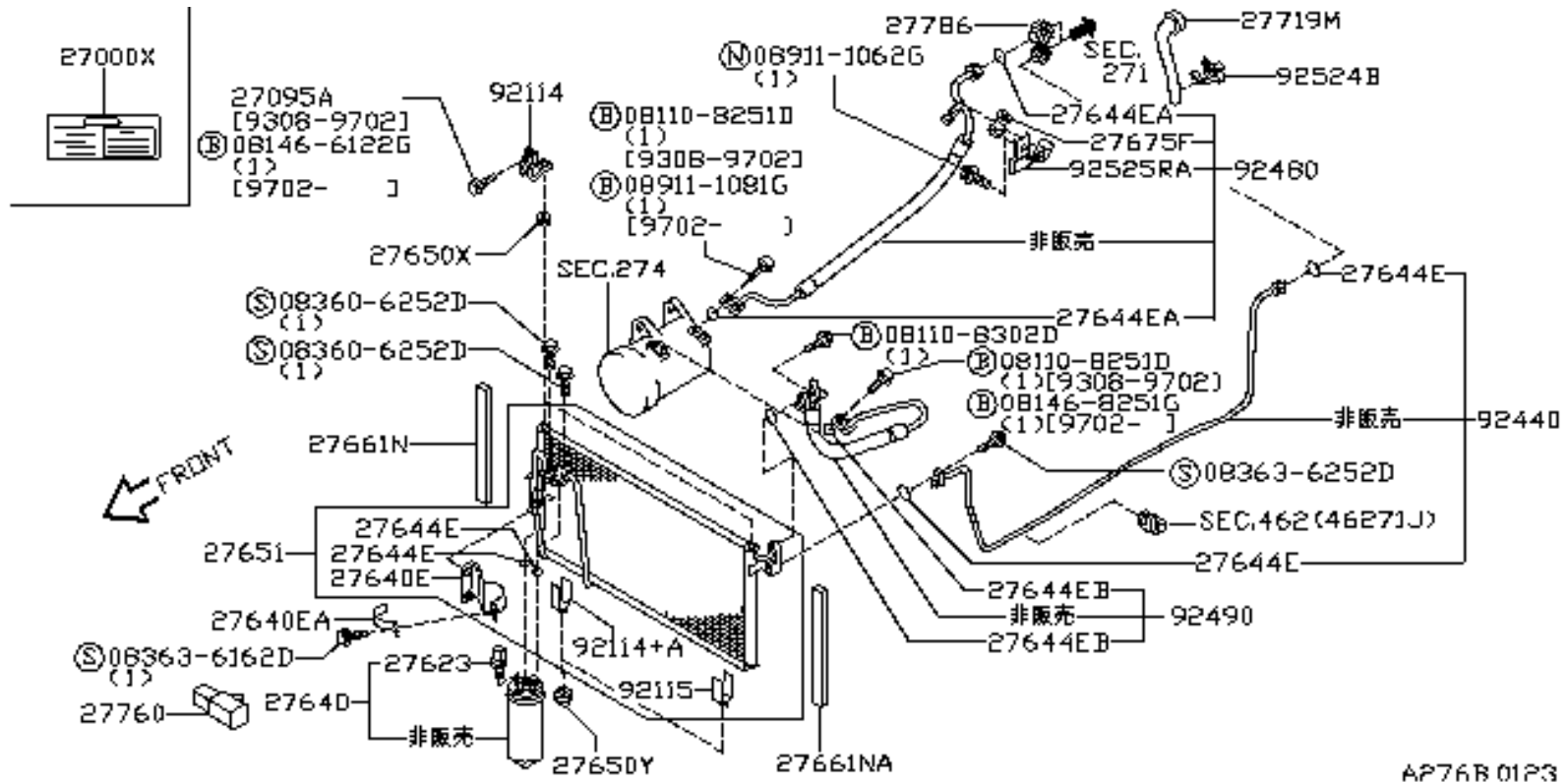
Nissan Skyline R33 - Air Con Compressor



A274*0191

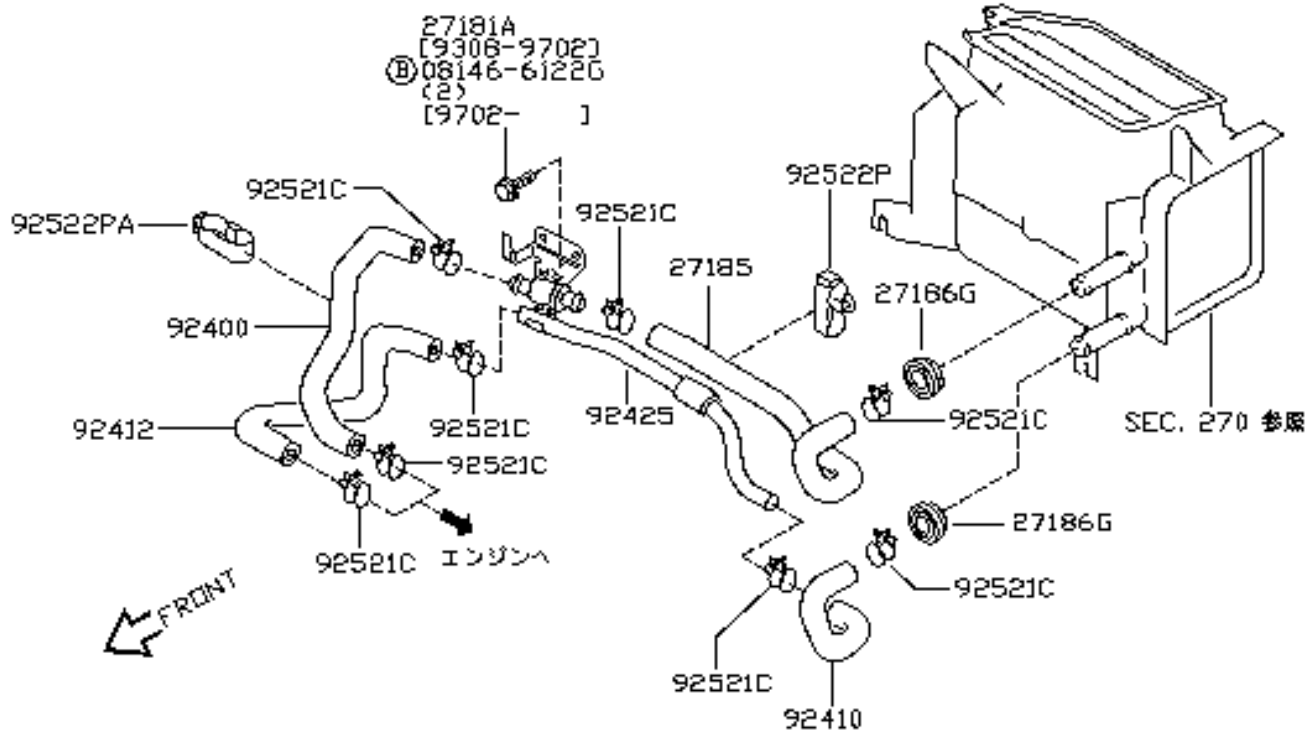
[Back To Body Electrical](#)

Nissan Skyline R33 - Air Con Condenser



[Back To Body Electrical](#)

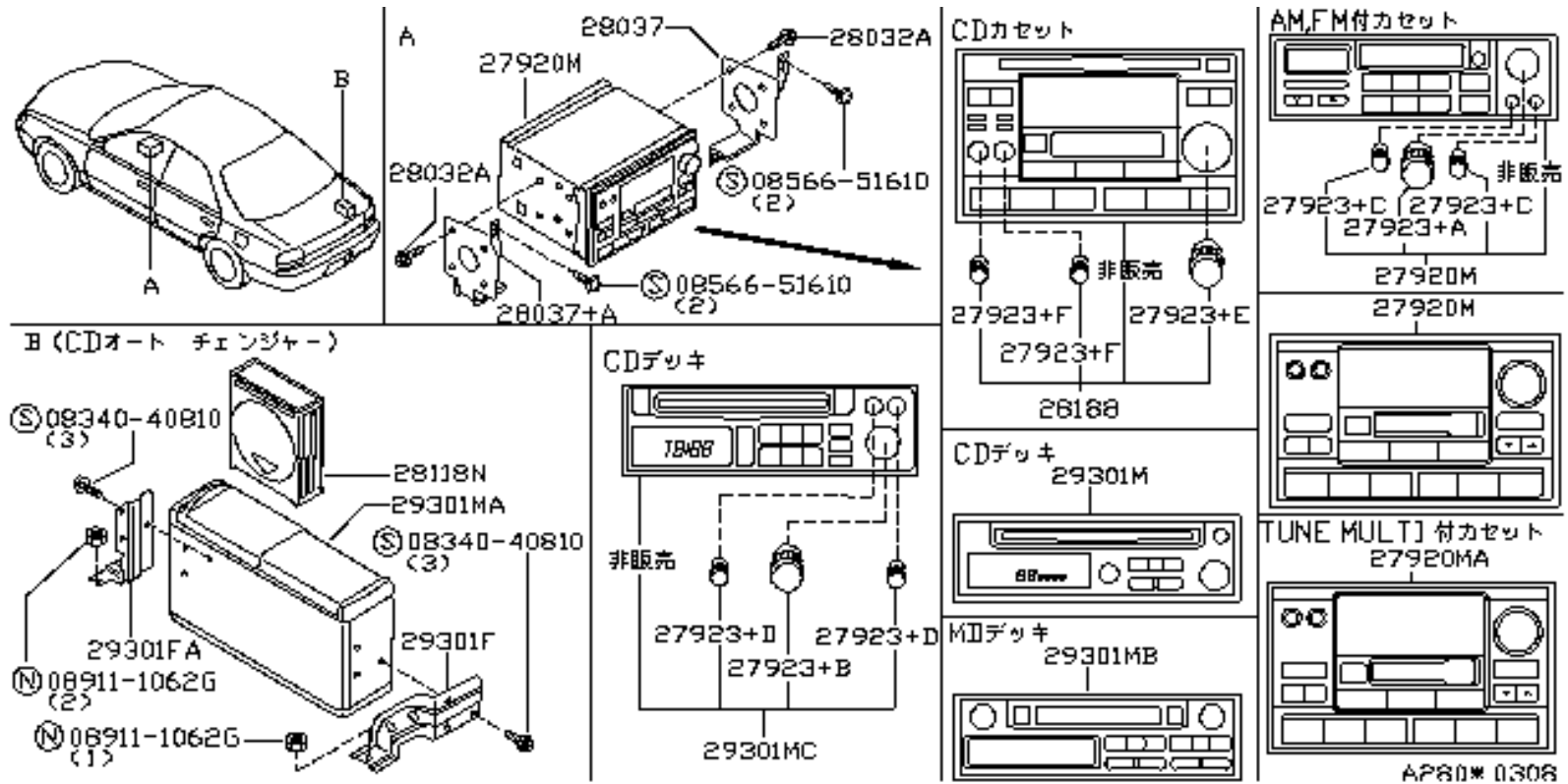
Nissan Skyline R33 - Heater Piping



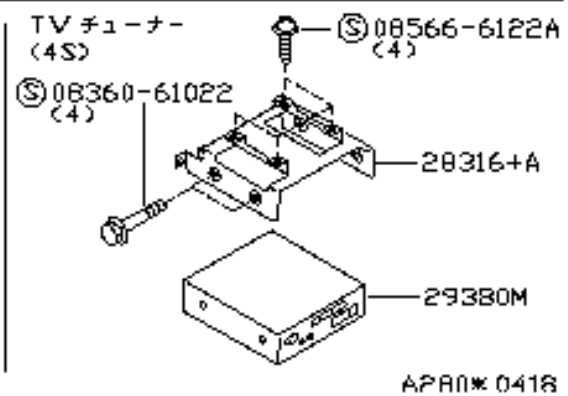
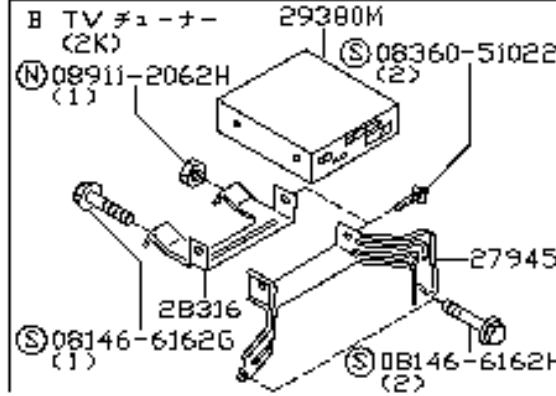
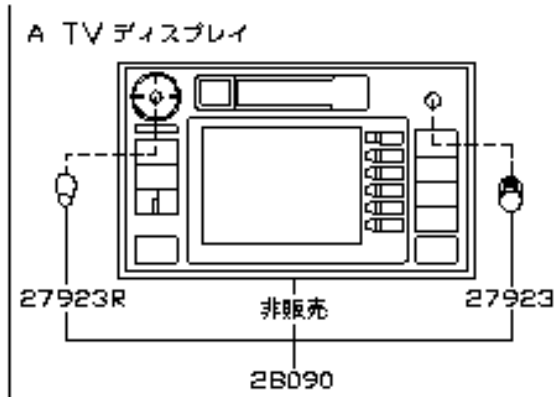
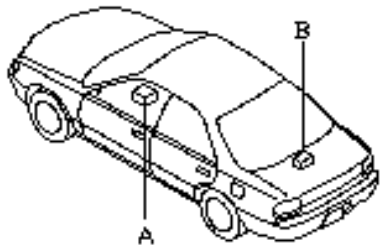
A27811 0036

[Back To Body Electrical](#)

Nissan Skyline R33 - Audio



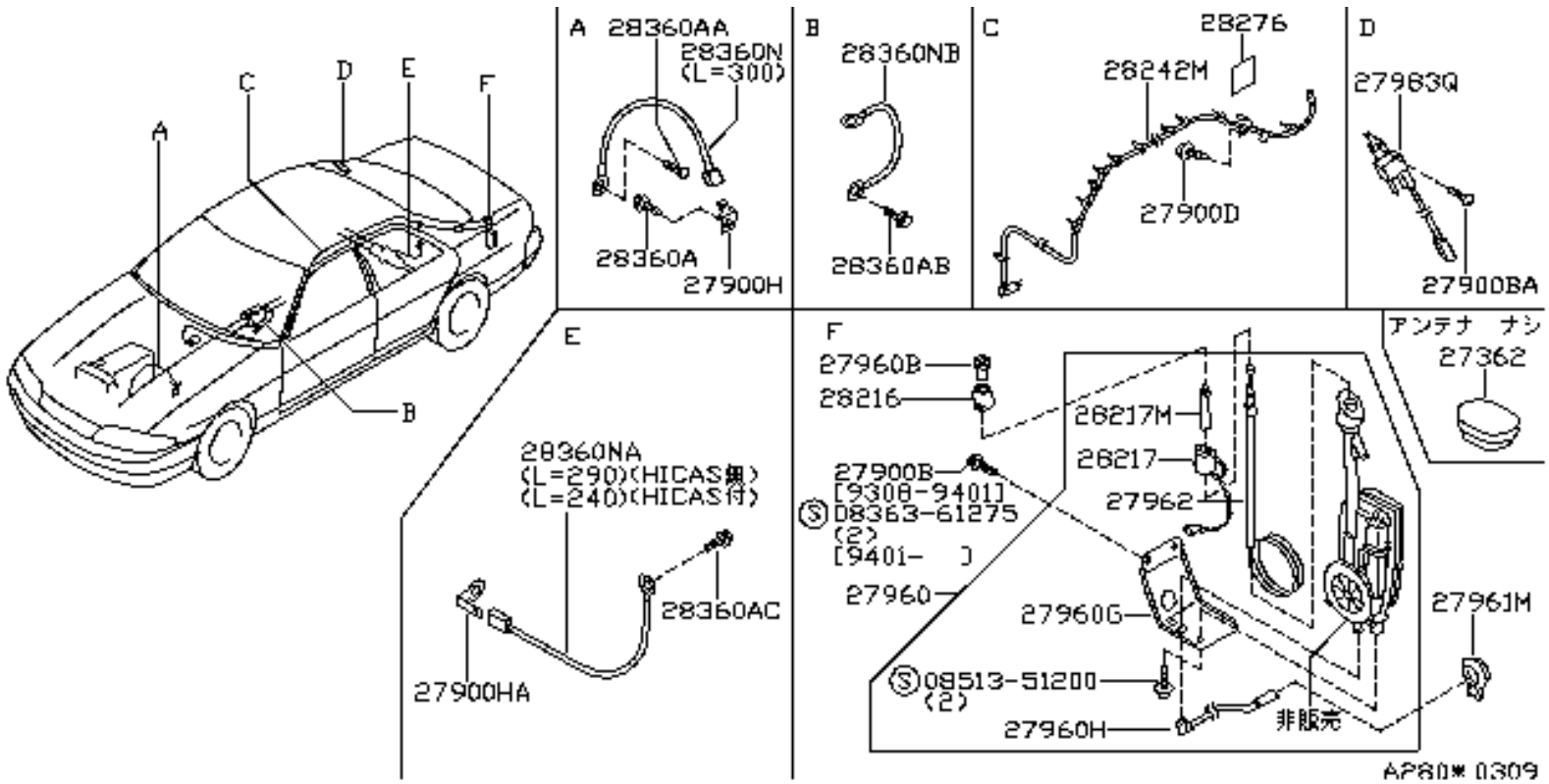
Nissan Skyline R33 - Audio - Page 2



[Page 3](#)

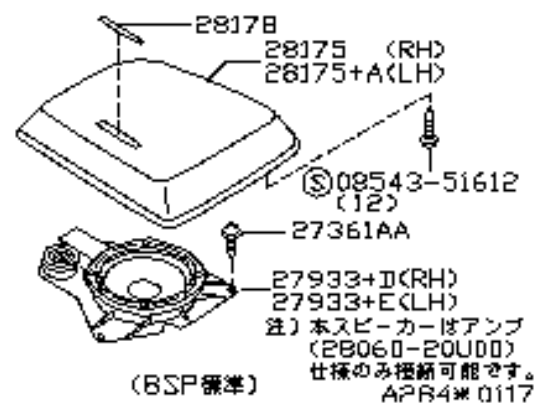
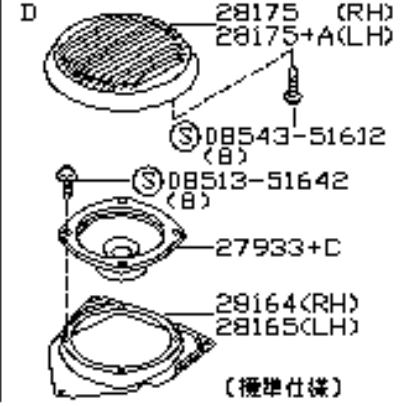
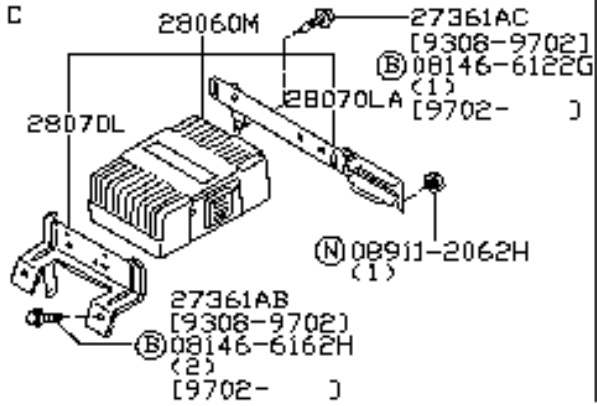
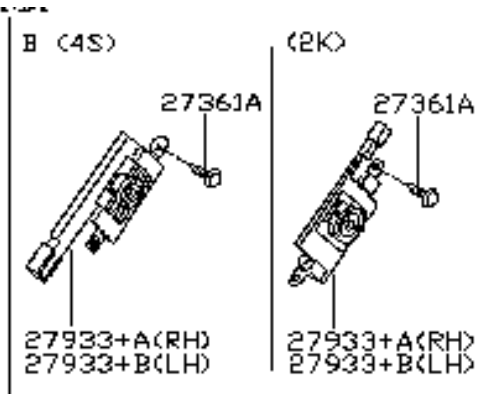
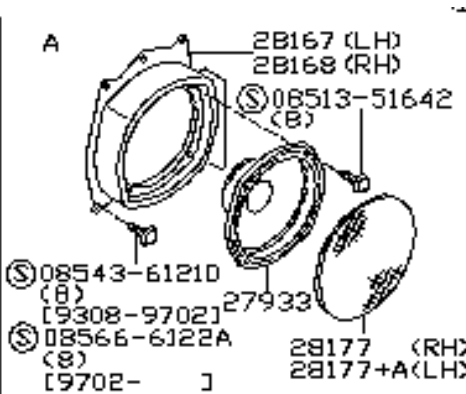
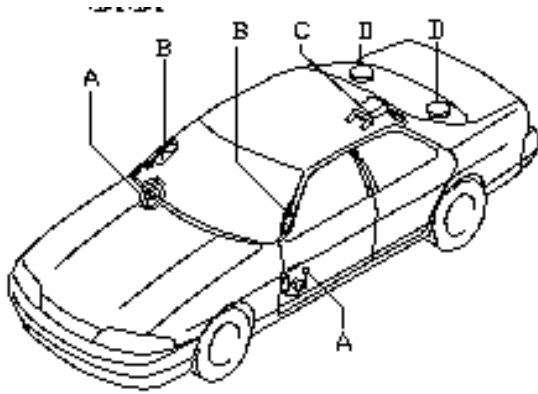
[Back To Body Electrical](#)

Nissan Skyline R33 - Audio - Page 3



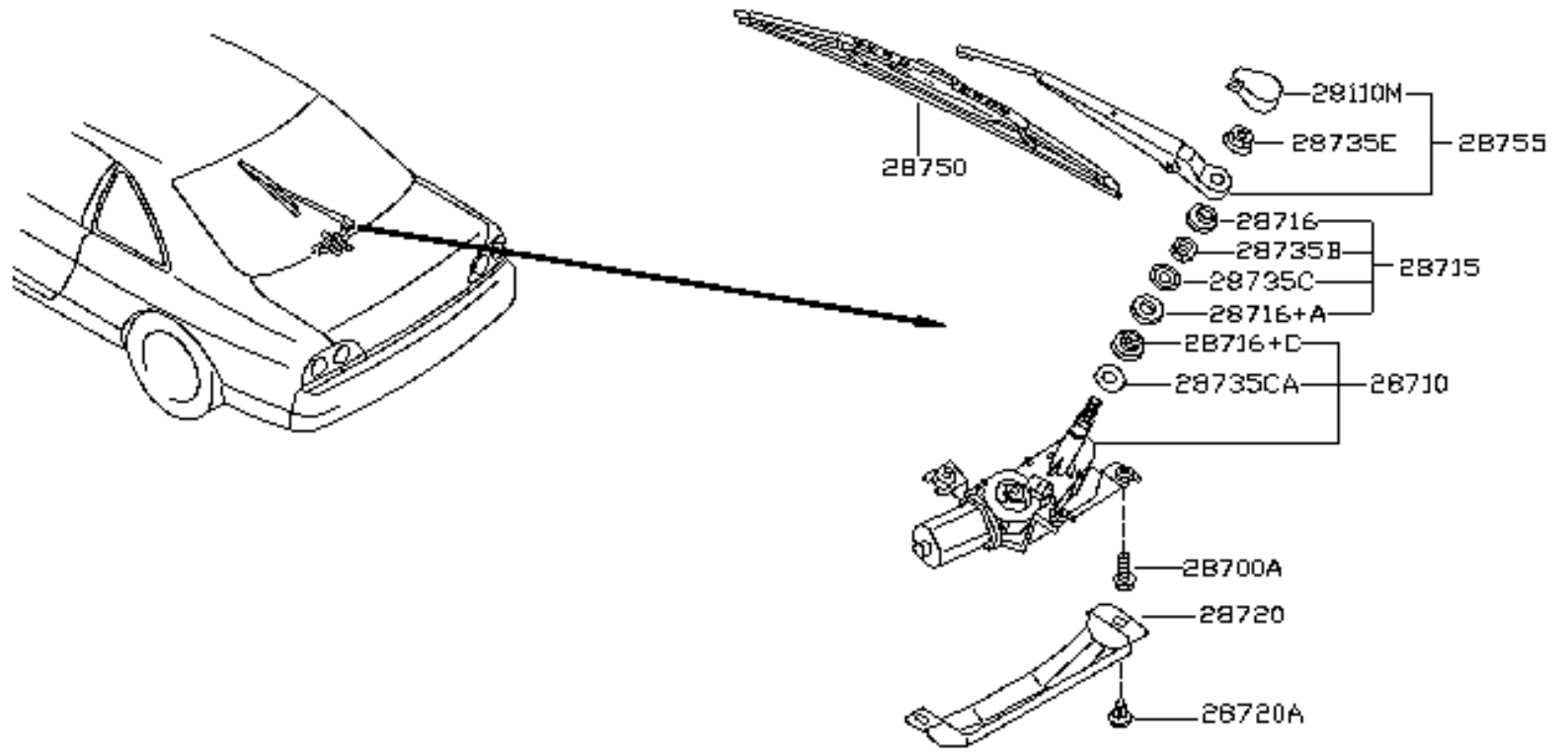
[Back To Body Electrical](#)

Nissan Skyline R33 - Speakers



[Back To Body Electrical](#)

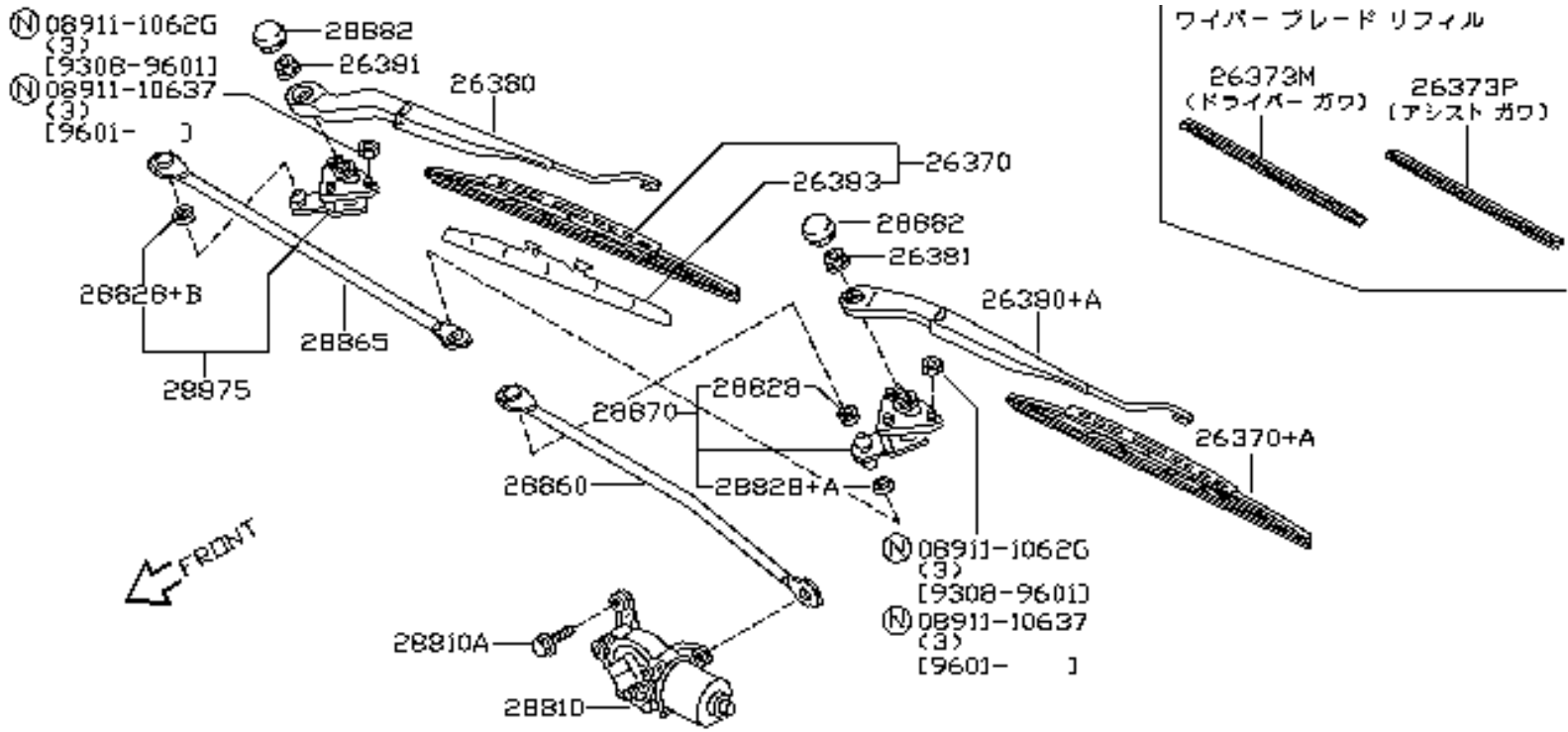
Nissan Skyline R33 - Rear Wipers



A287*0122

[Back To Body Electrical](#)

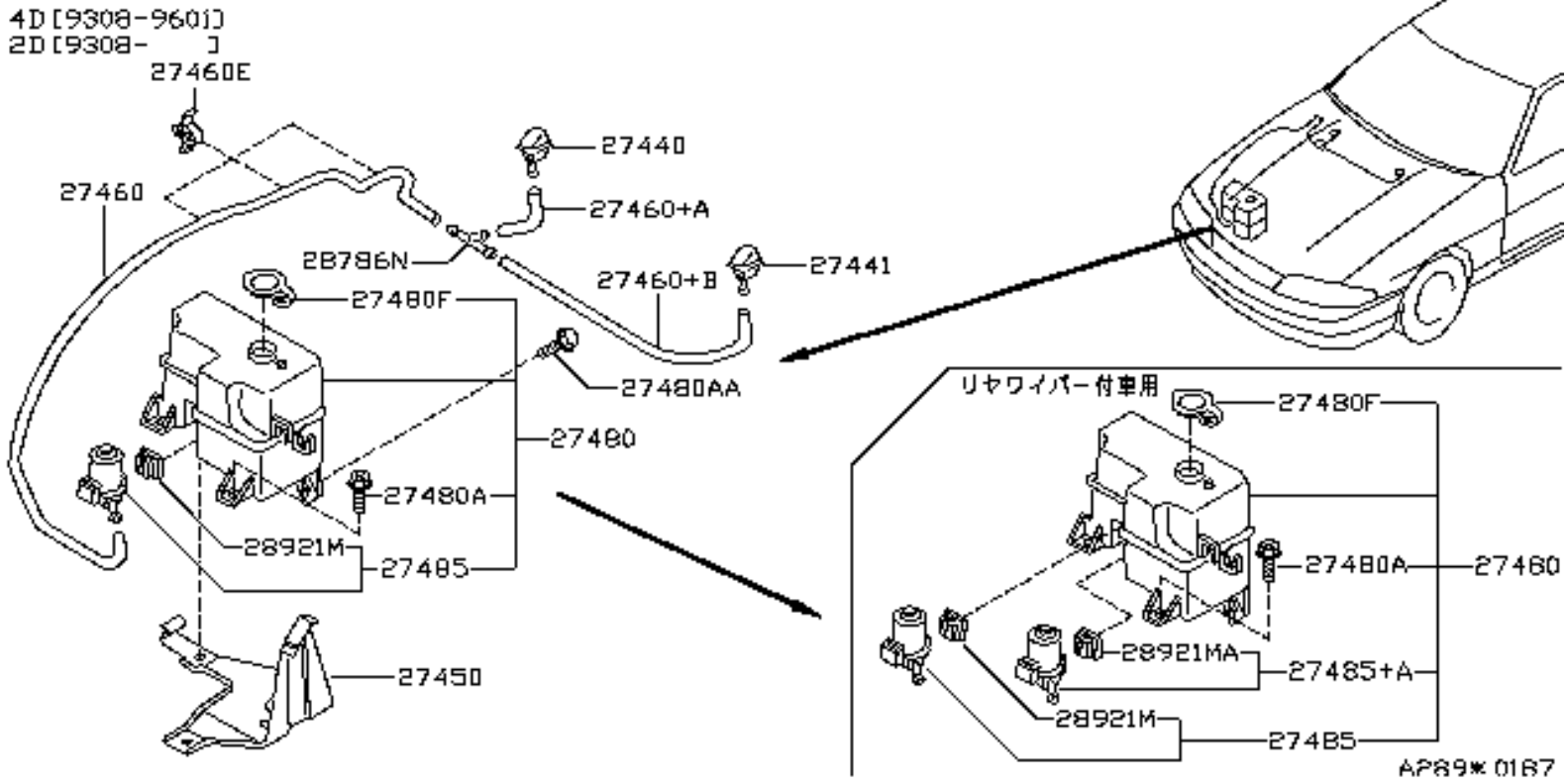
Nissan Skyline R33 - Front Wipers



A28A*0165

[Back To Body Electrical](#)

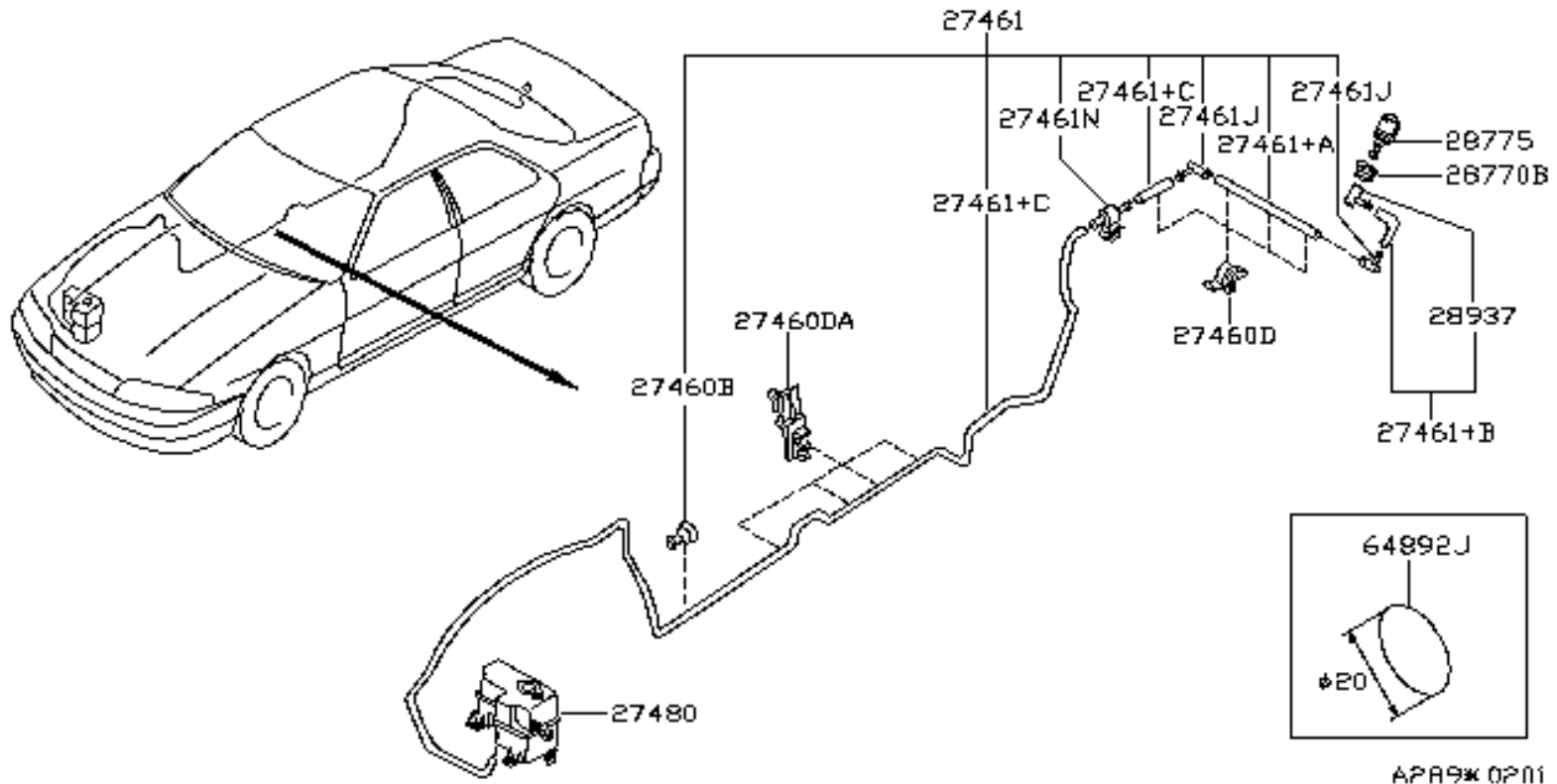
Nissan Skyline R33 - Windscreen Washer



[Page 2](#)

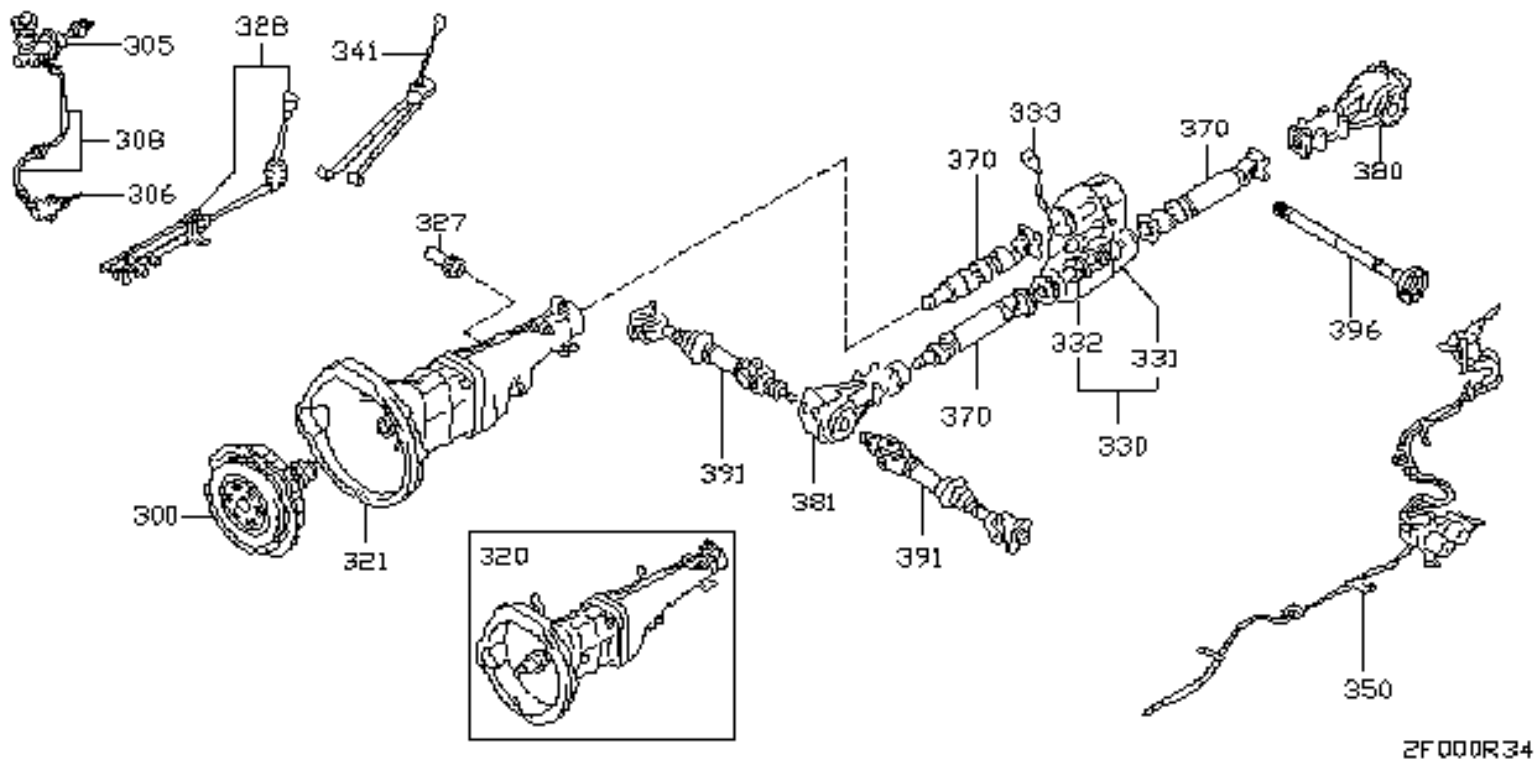
[Back To Body Electrical](#)

Nissan Skyline R33 - Windscreen Washer - Page 2



[Back To Body Electrical](#)

Nissan Skyline R33 - Power Train



2F000R34

Index

[Back To Main Menu](#)

300 - [Clutch Assembly](#)

305 - [Master Cylinder](#)

306 - [Slave Cylinder](#)

308 - [Clutch Piping](#)

320 - [Transmission Assembly](#)

321 - [Transmission Case](#)

327 - [Speedometer Pinion](#)

328 - [Transmission Shift Control](#)

330 - [Transfer Assembly](#)

331 - [Transfer Case](#)

332 - [Transfer Gear](#)

333 - [Transfer Control](#)

341 - [Transmission Control](#)

350 - [Transfer Control Parts](#)

370 - [Propeller Shaft](#)

380 - [Rear Final Drive](#)

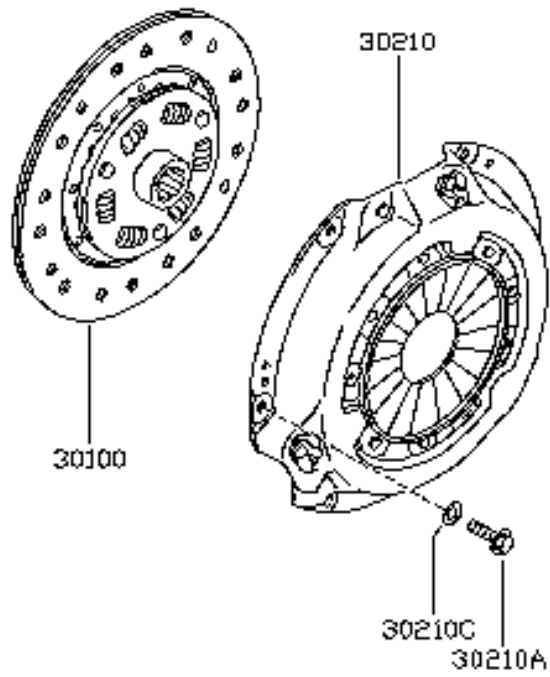
381 - [Front Final Drive](#)

391 - [Front Drive Shaft](#)

396 - [Rear Drive Shaft](#)

322 - [Transmission Gear](#)

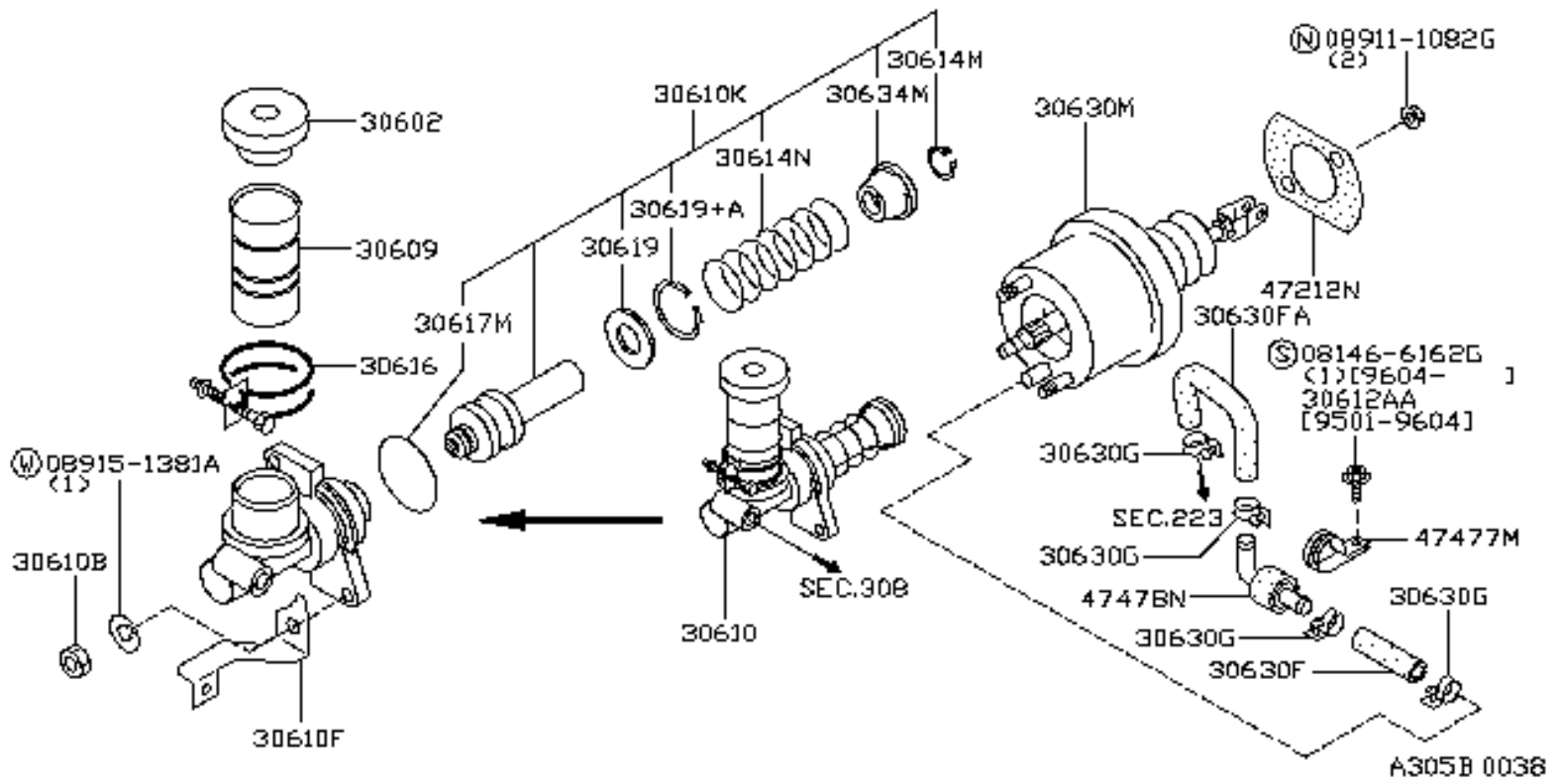
Nissan Skyline R33 - Clutch



A3000 0043

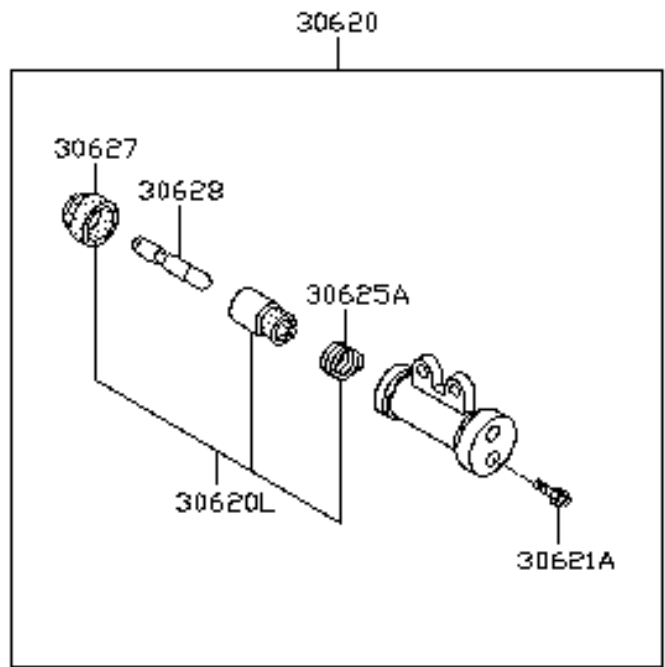
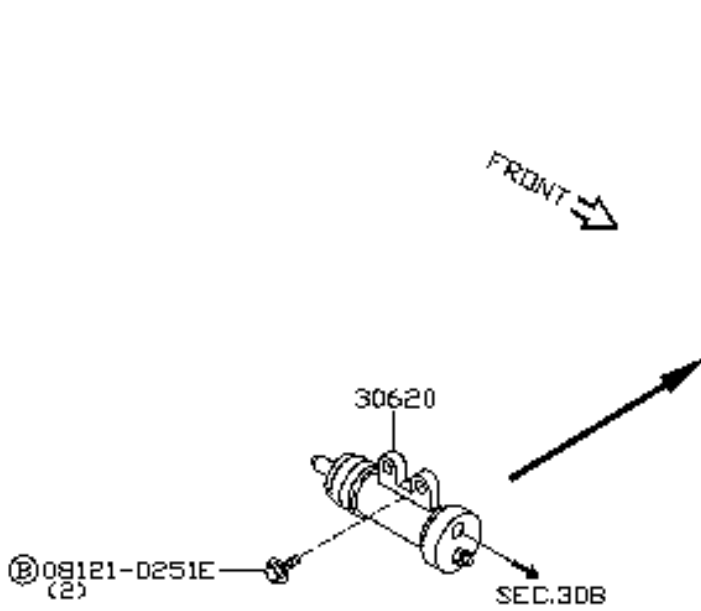
[Back To Power Train](#)

Nissan Skyline R33 - Clutch Master Cylinder



[Back To Power Train](#)

Nissan Skyline R33 - Clutch Slave Cylinder

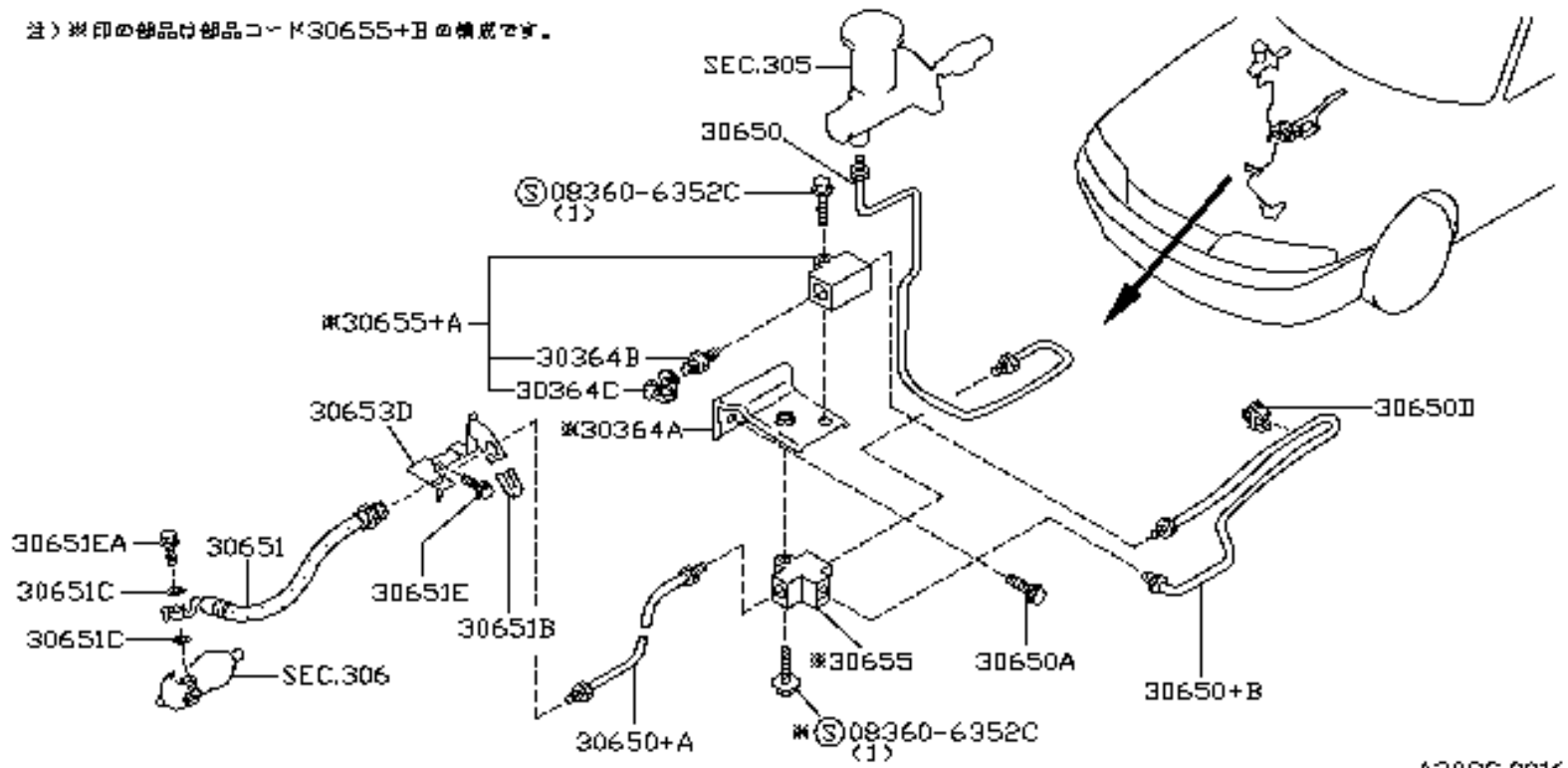


A306C 0014

[Back To Power Train](#)

Nissan Skyline R33 - Clutch Piping

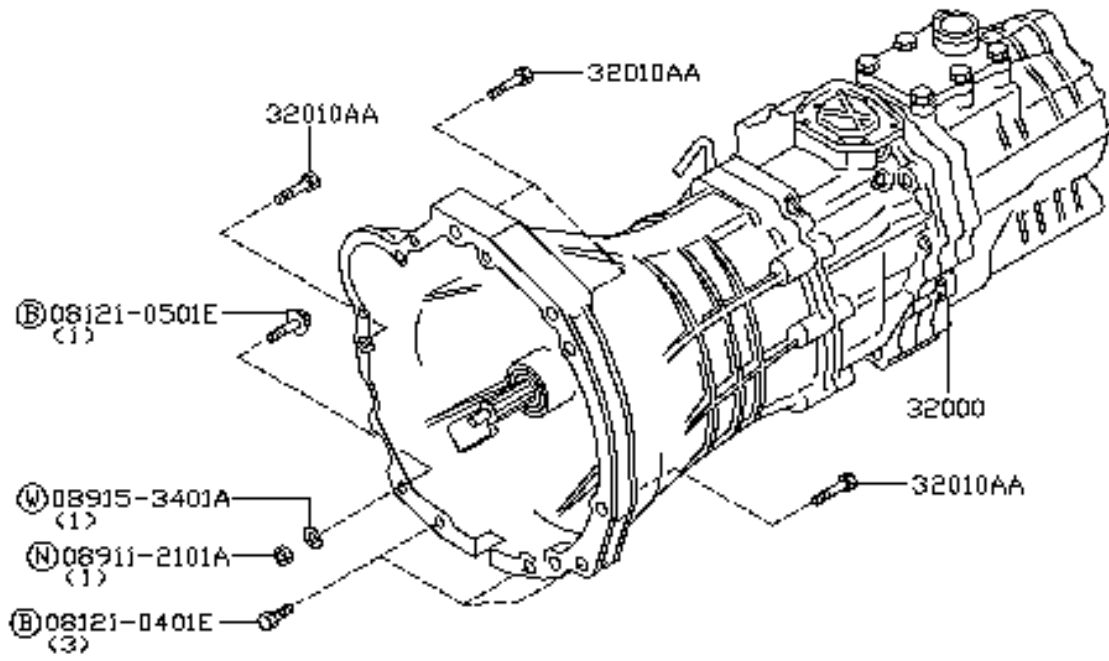
注) ※印の部品は部品コード30655+Bの構成です。



A306C 0016

[Back To Power Train](#)

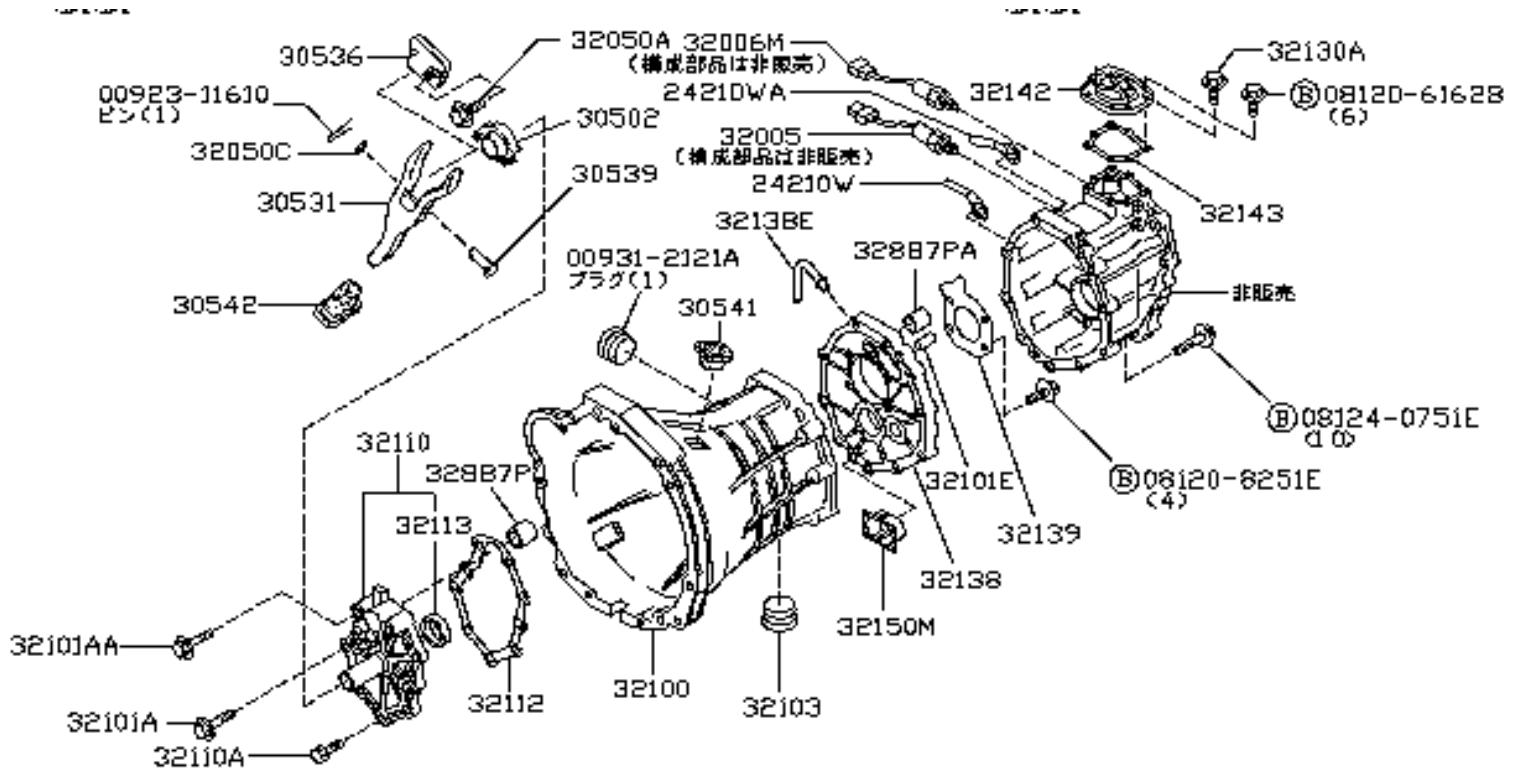
Nissan Skyline R33 - Transmission Assembly



A320D 0068

[Back To Power Train](#)

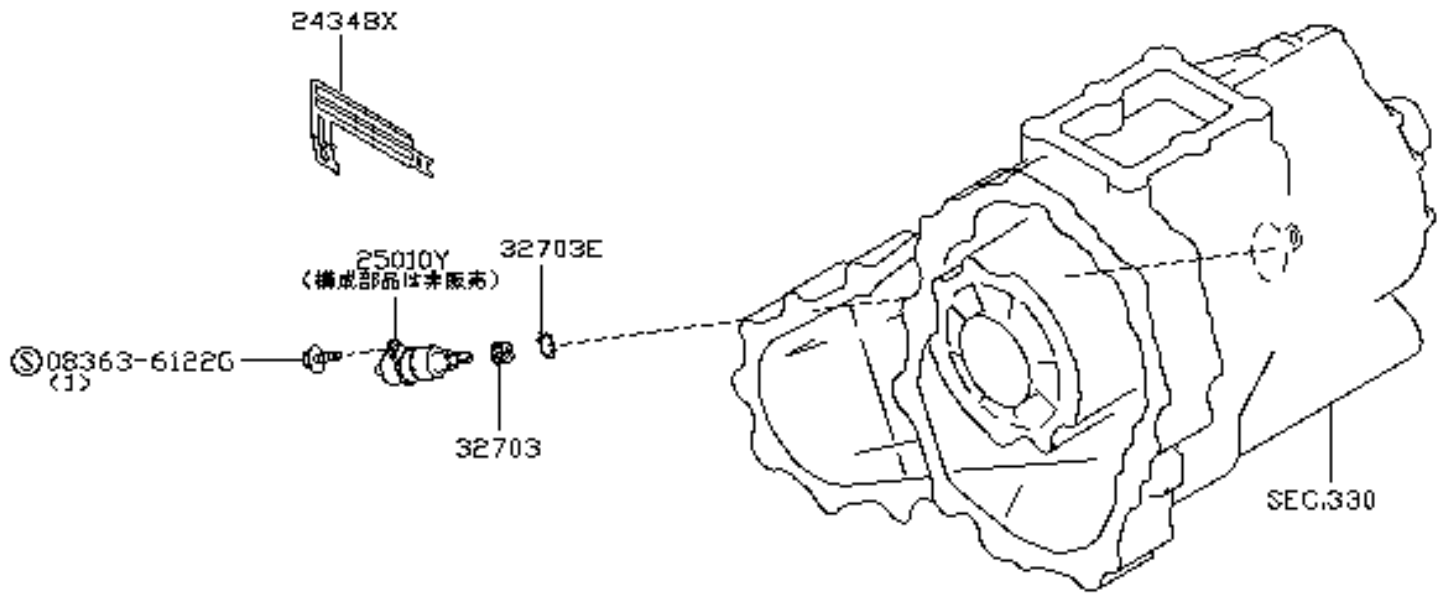
Nissan Skyline R33 - Transmission Case & Clutch Release



A321D 0044

[Back To Power Train](#)

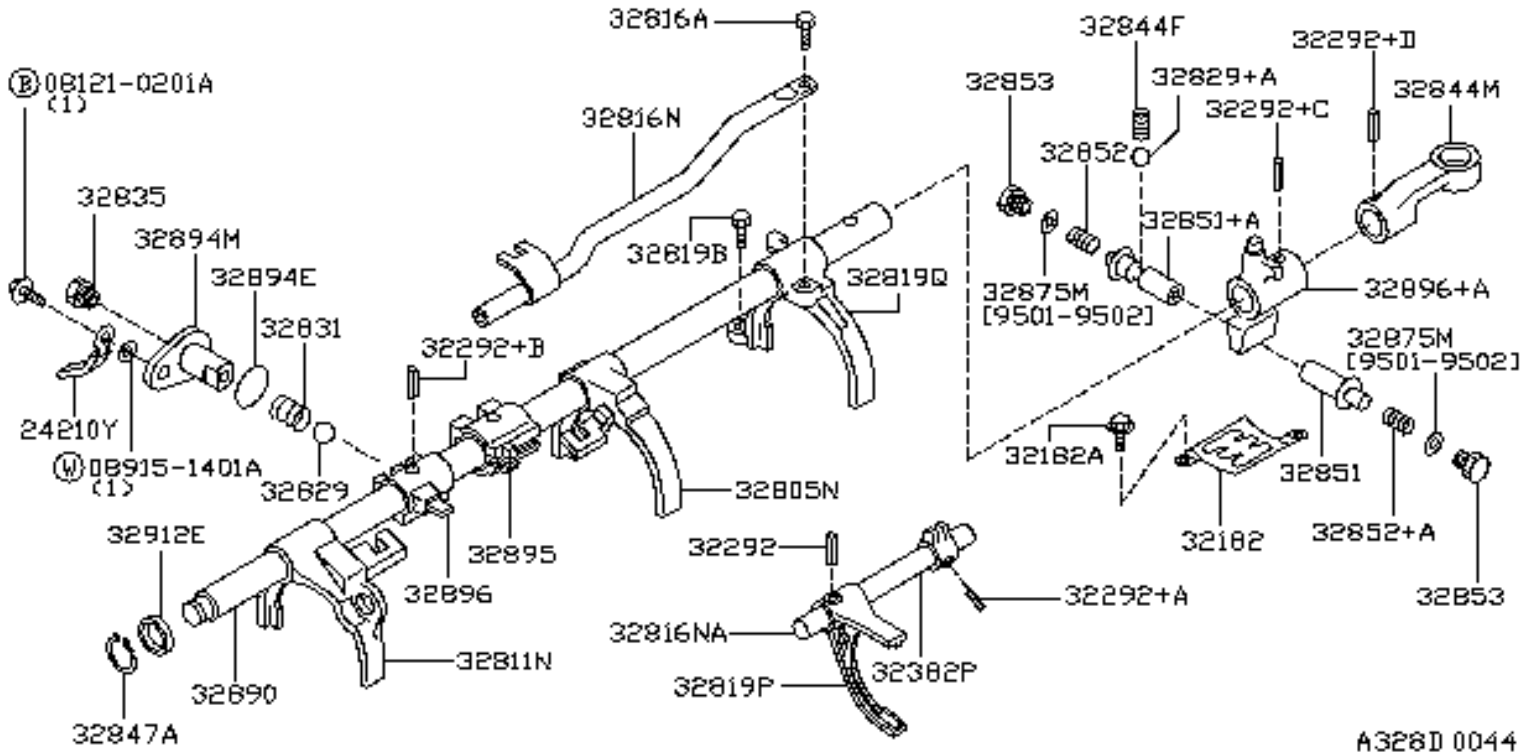
Nissan Skyline R33 - Speedometer Pinion



A327C 0027

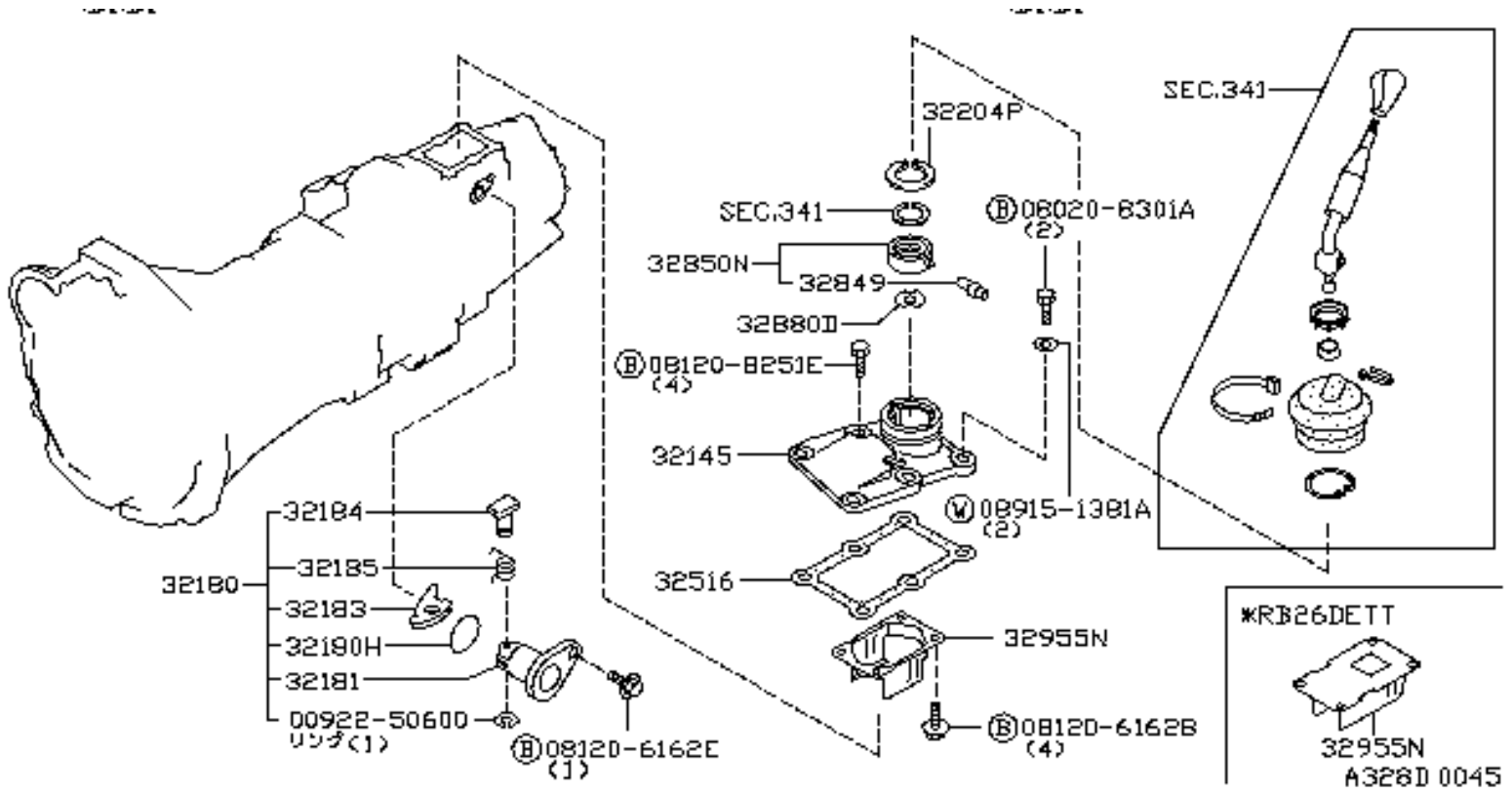
[Back To Power Train](#)

Nissan Skyline R33 - Transmission Shift Control



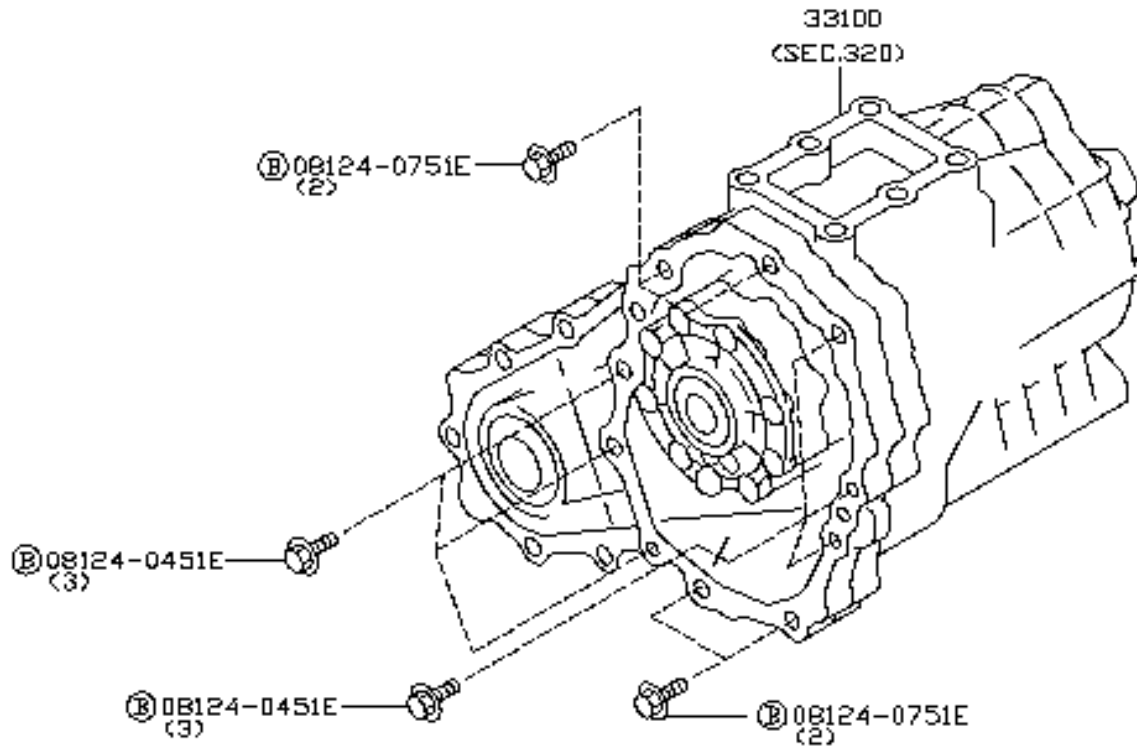
A326D 0044

Nissan Skyline R33 - Transmission Shift Control - Page 2



[Back To Power Train](#)

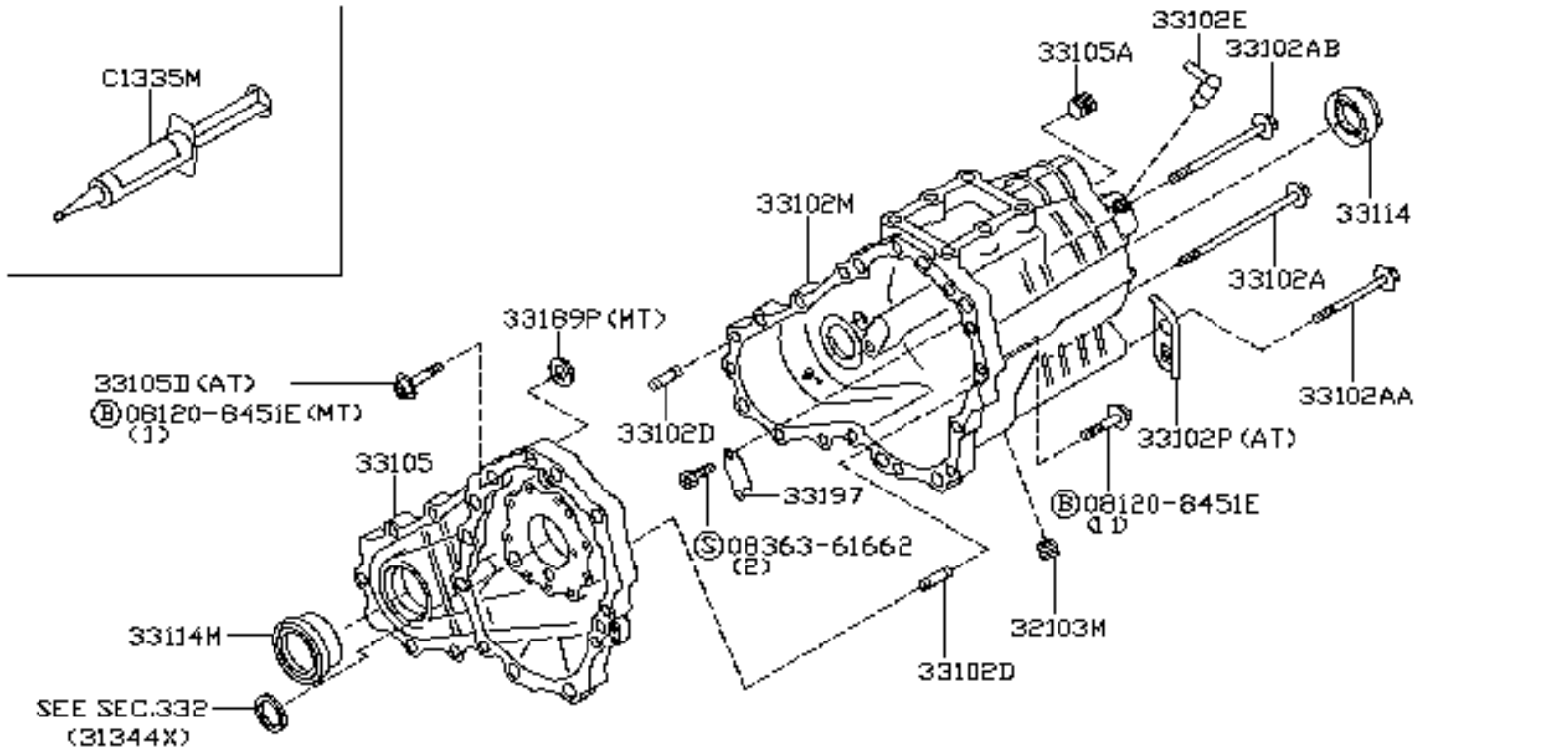
Nissan Skyline R33 - Transfer Assembly



A330* 0043

[Back To Power Train](#)

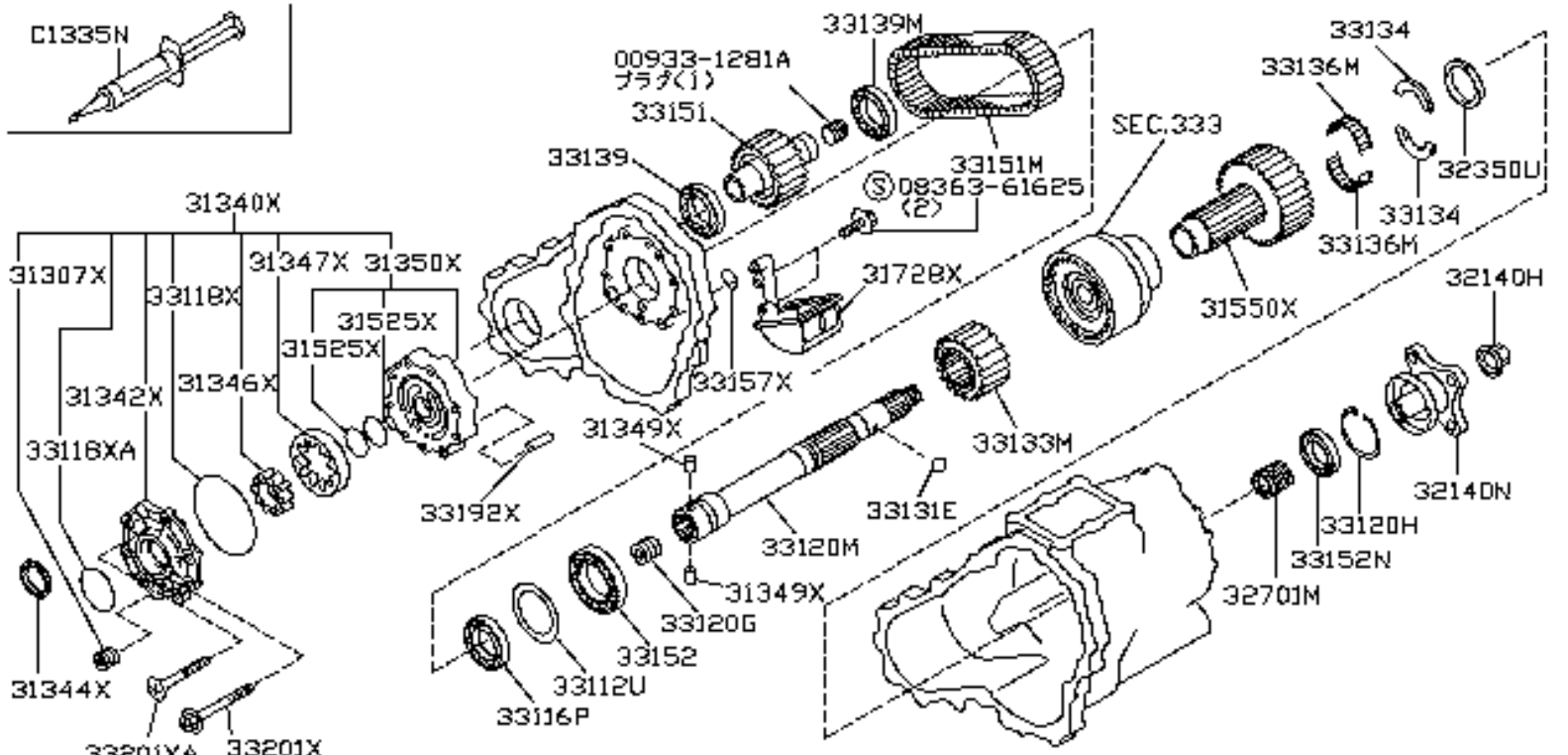
Nissan Skyline R33 - Transfer Case



A331* 0049

[Back To Power Train](#)

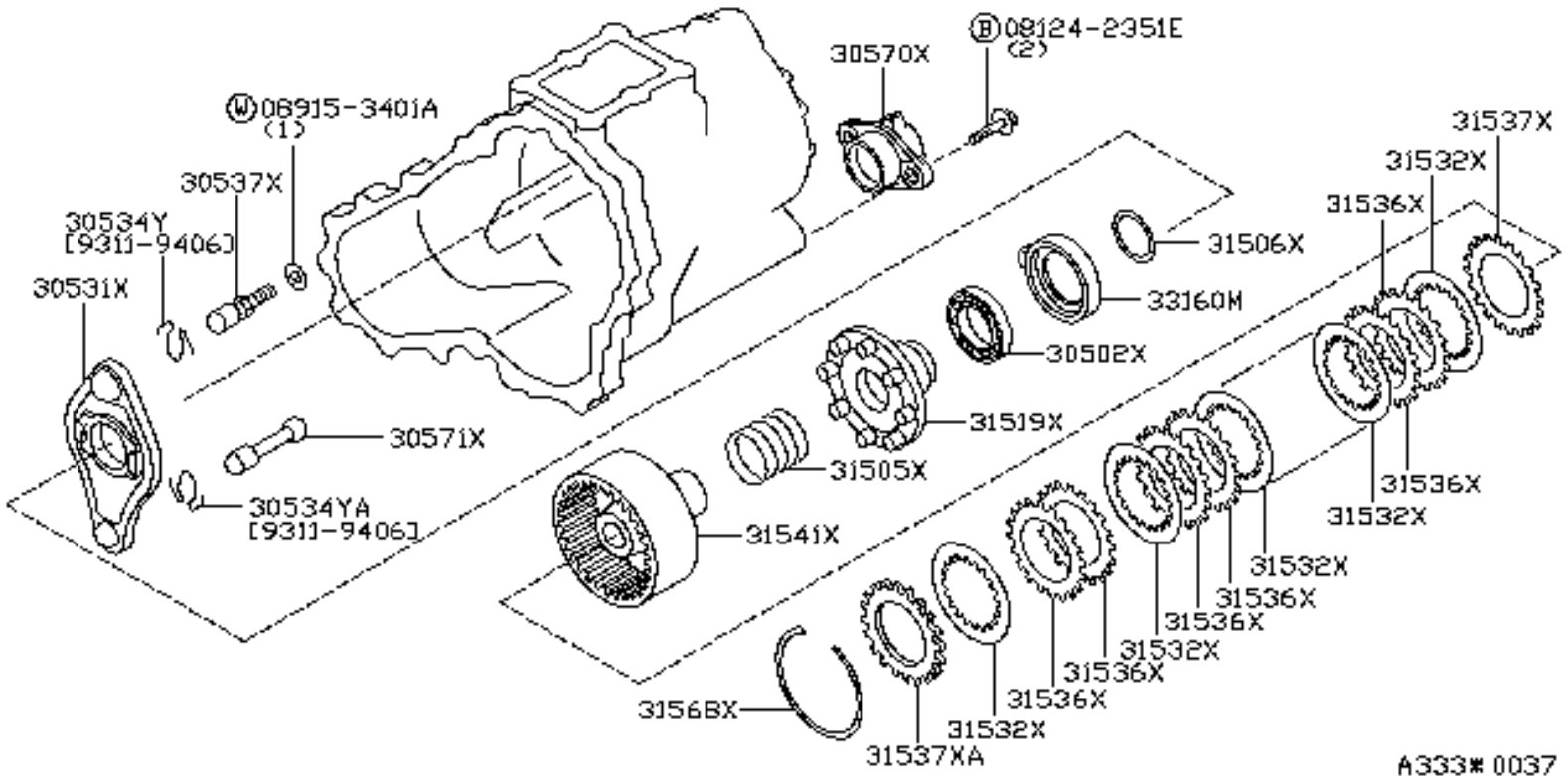
Nissan Skyline R33 - Transfer Gear



A332* 0047

[Back To Power Train](#)

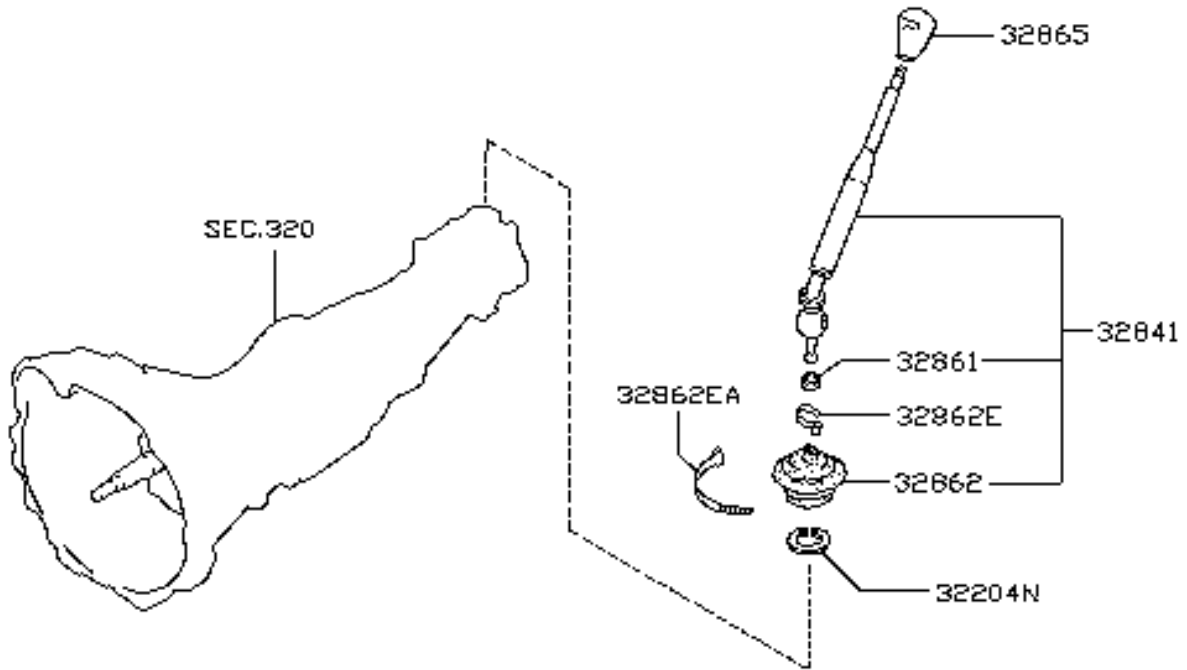
Nissan Skyline R33 - Transfer Control



A333# 0037

[Back To Power Train](#)

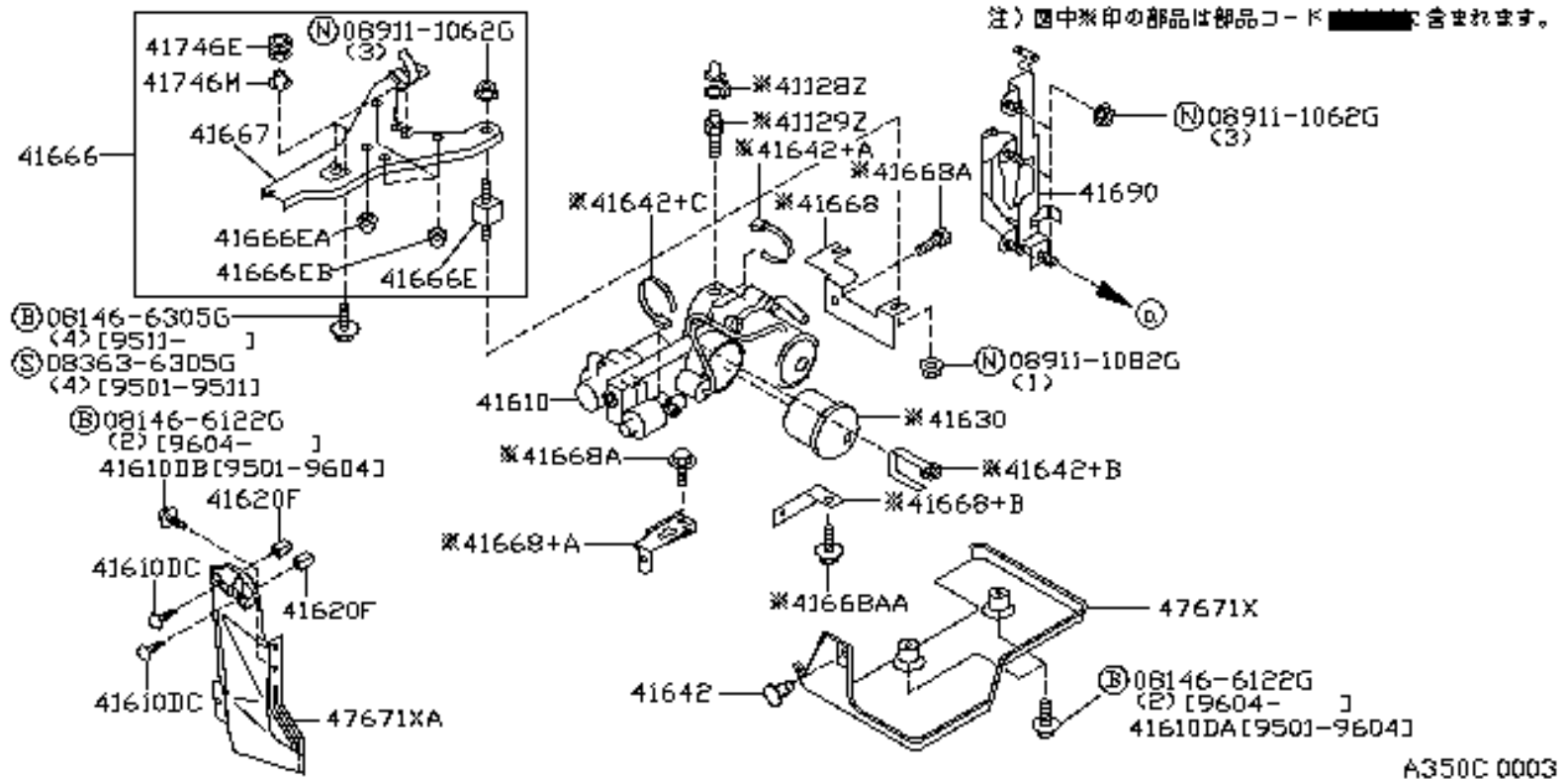
Nissan Skyline R33 - Transmission Control



A341A 0123

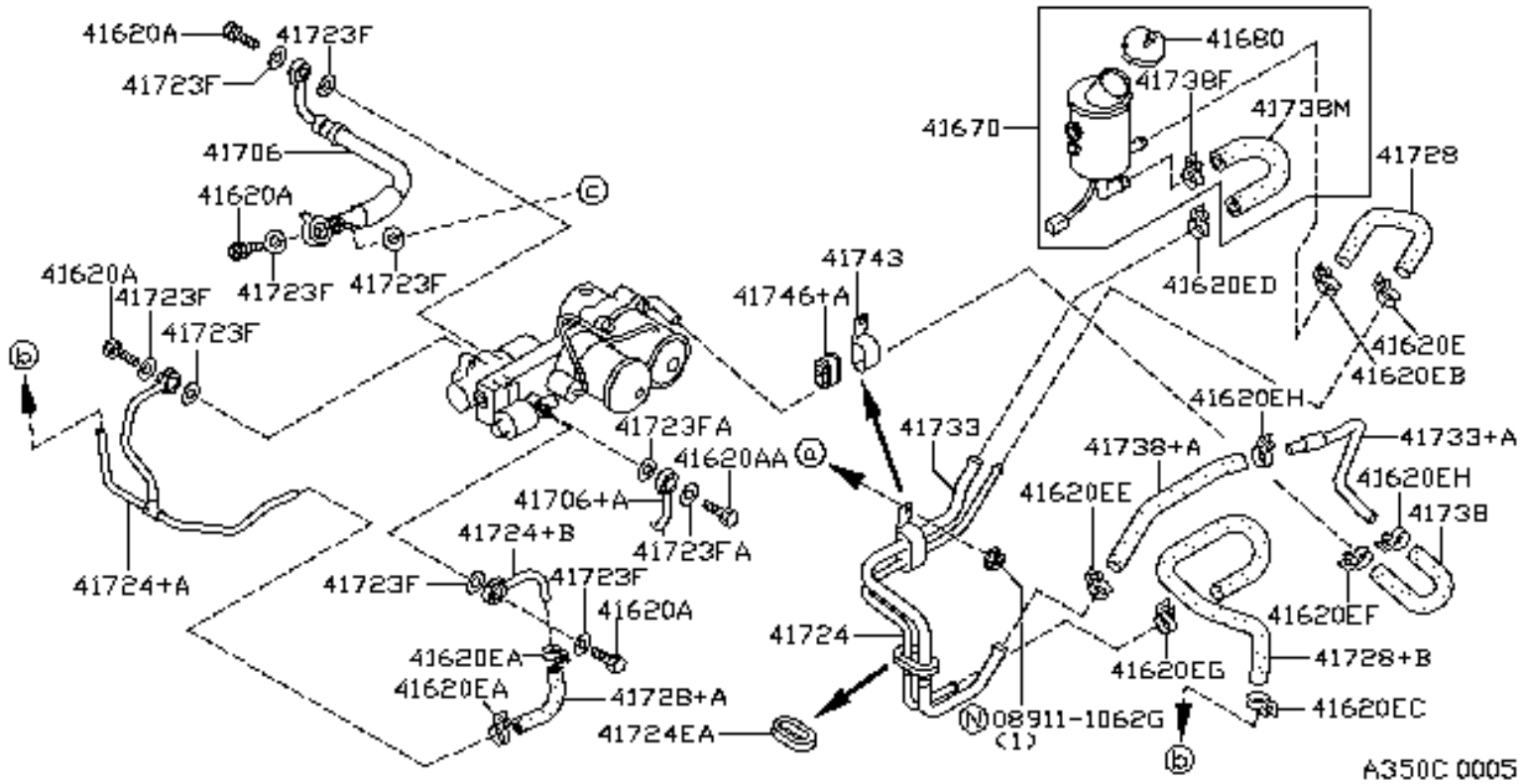
[Back To Power Train](#)

Nissan Skyline R33 - Transfer Control Parts



A350C 0003

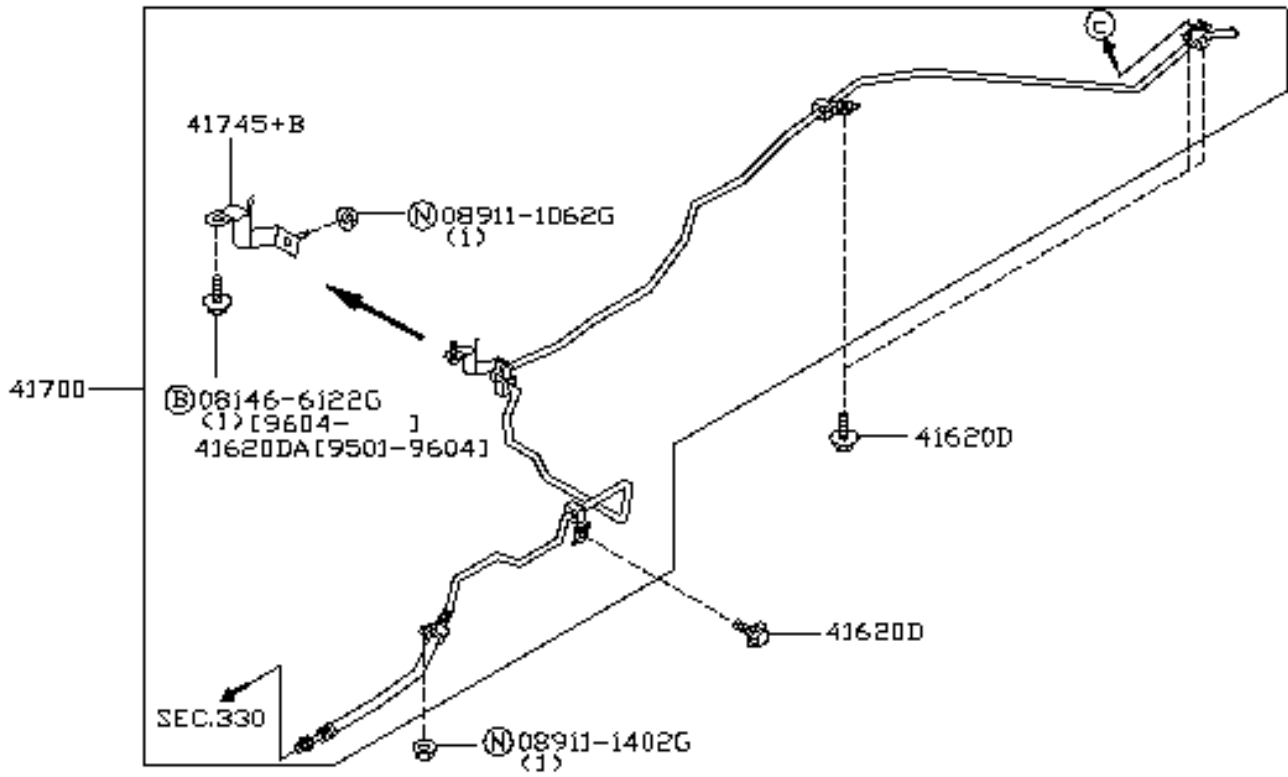
Nissan Skyline R33 - Transfer Control Parts - Page 2



[Page 3](#)

[Back To Power Train](#)

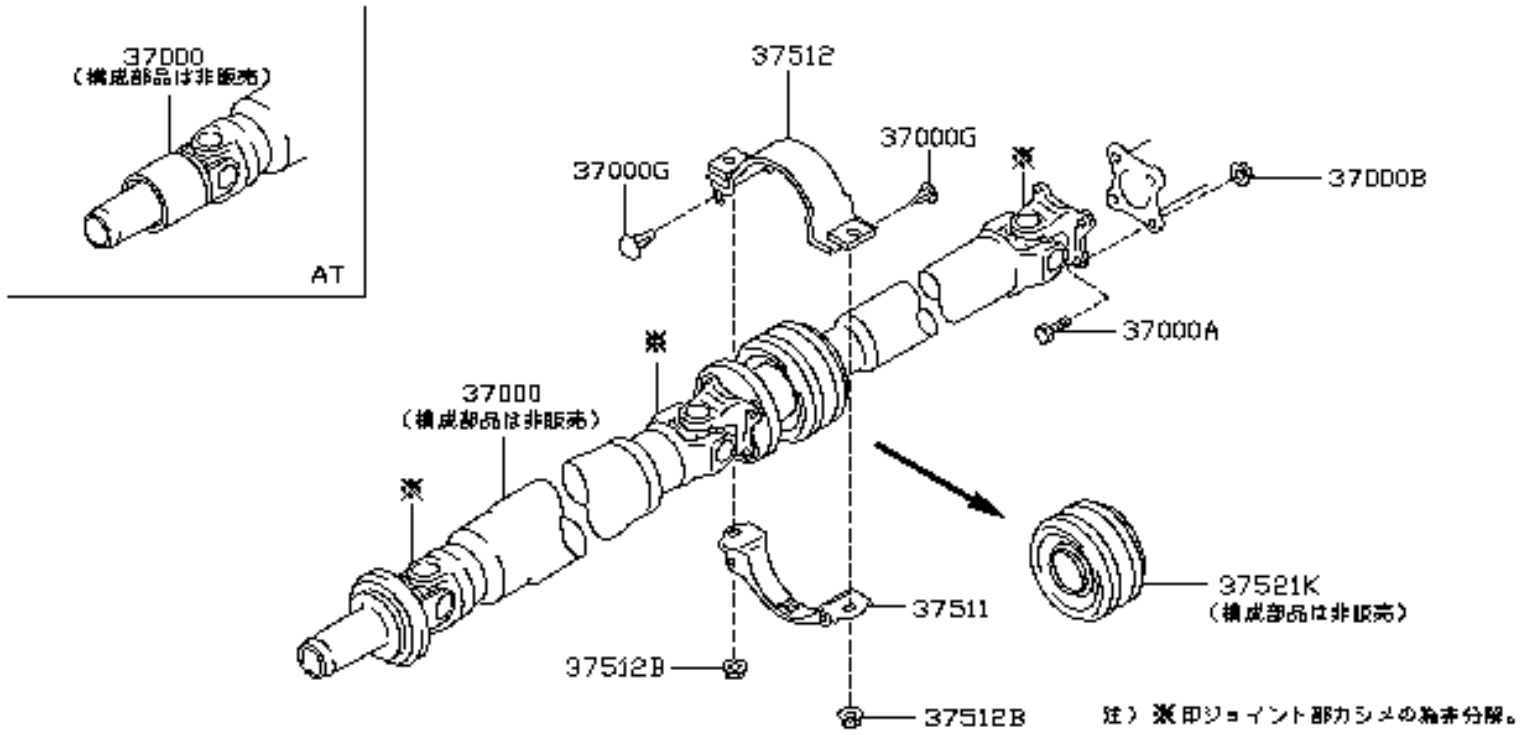
Nissan Skyline R33 - Transfer Control Parts - Page 3



A350C 0006

[Back To Power Train](#)

Nissan Skyline R33 - Propeller Shaft



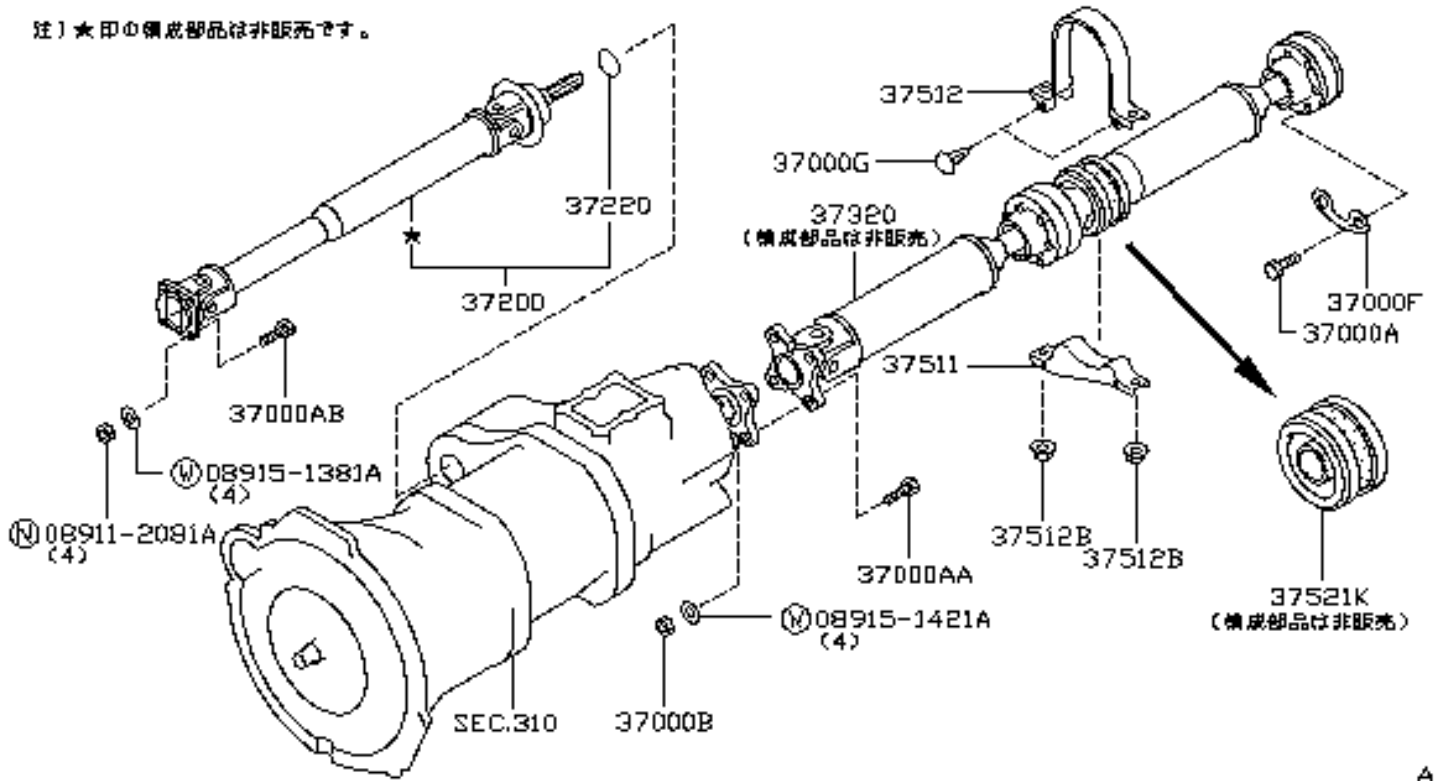
A370* 0107

[Page 2](#)

[Back To Power Train](#)

Nissan Skyline R33 - Propeller Shaft - Page 2

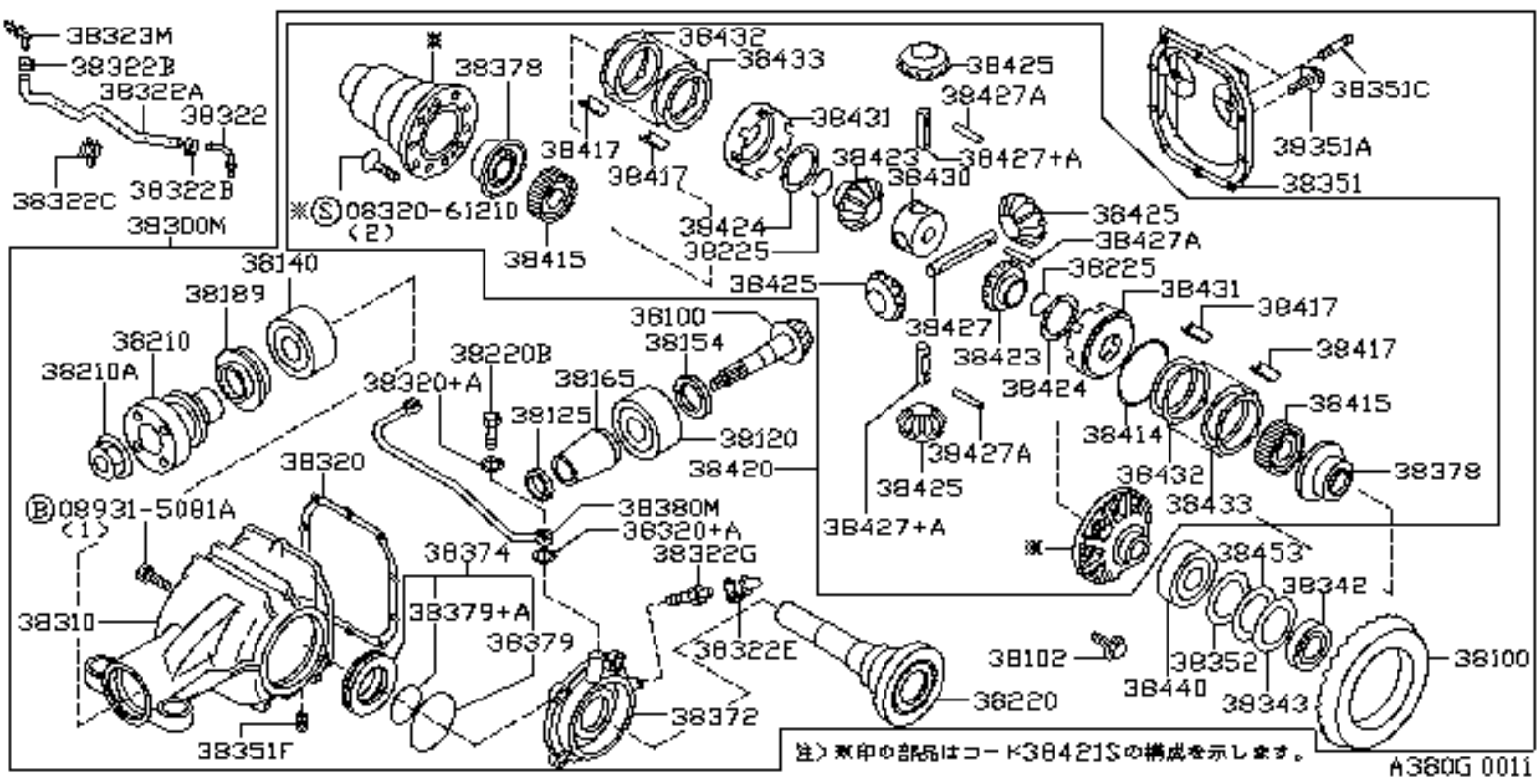
注) ★印の部品は非販売です。



A370* 0114

[Back To Power Train](#)

Nissan Skyline R33 - Rear Final Drive

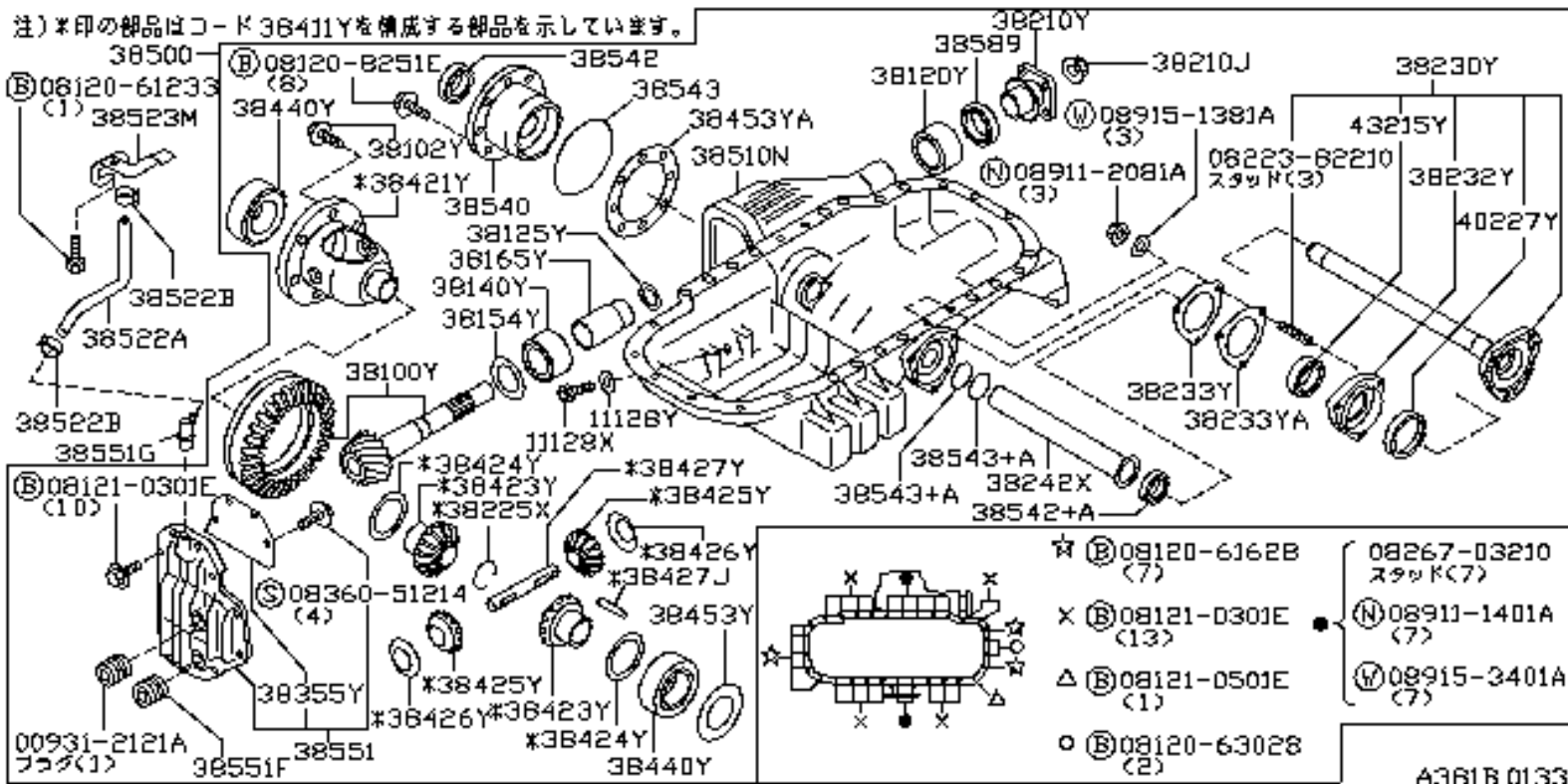


注) 東京印の部品はコード38421Sの構成を示します。

A380G 0011

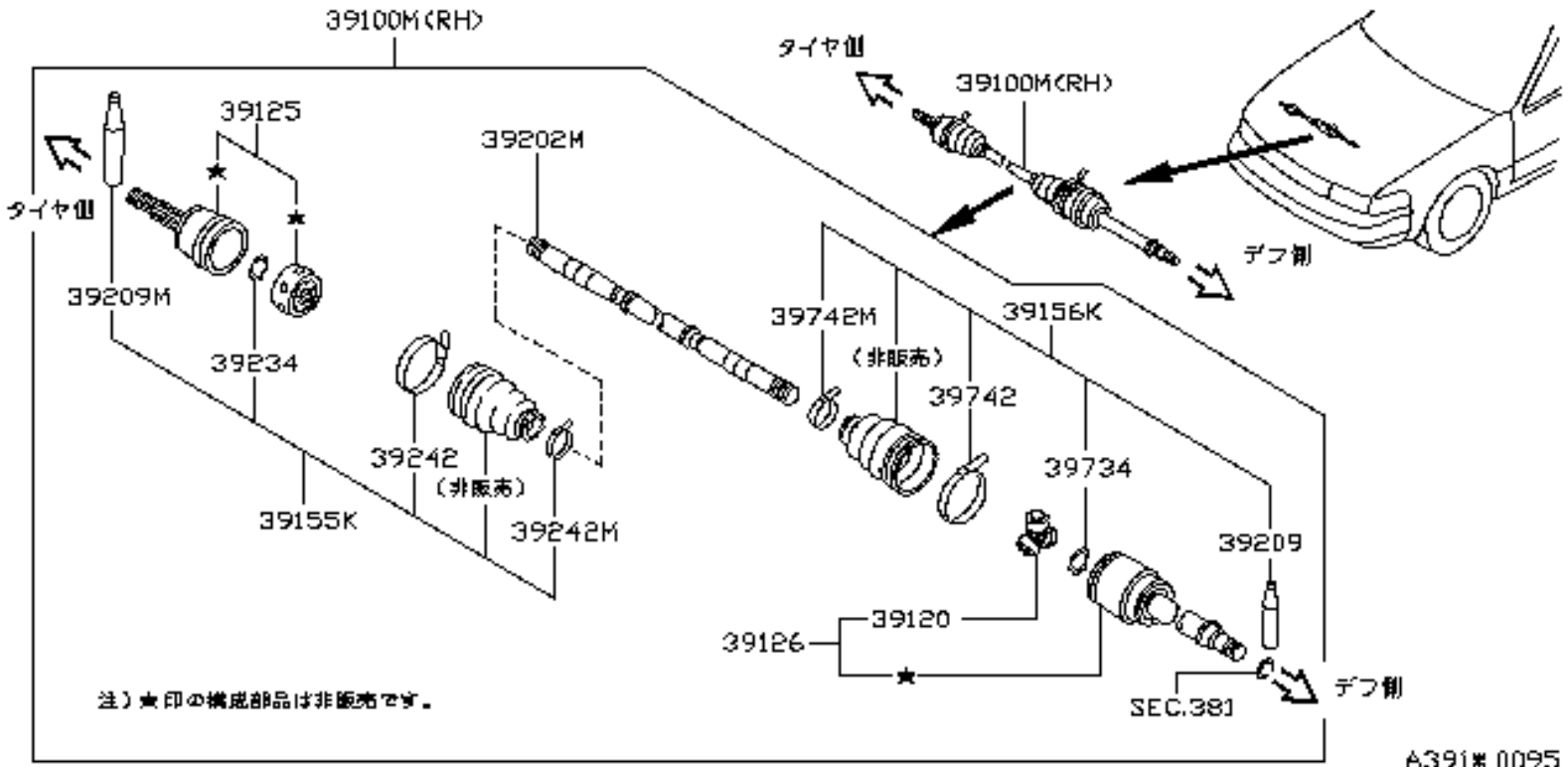
[Back To Power Train](#)

Nissan Skyline R33 - Front Final Drive



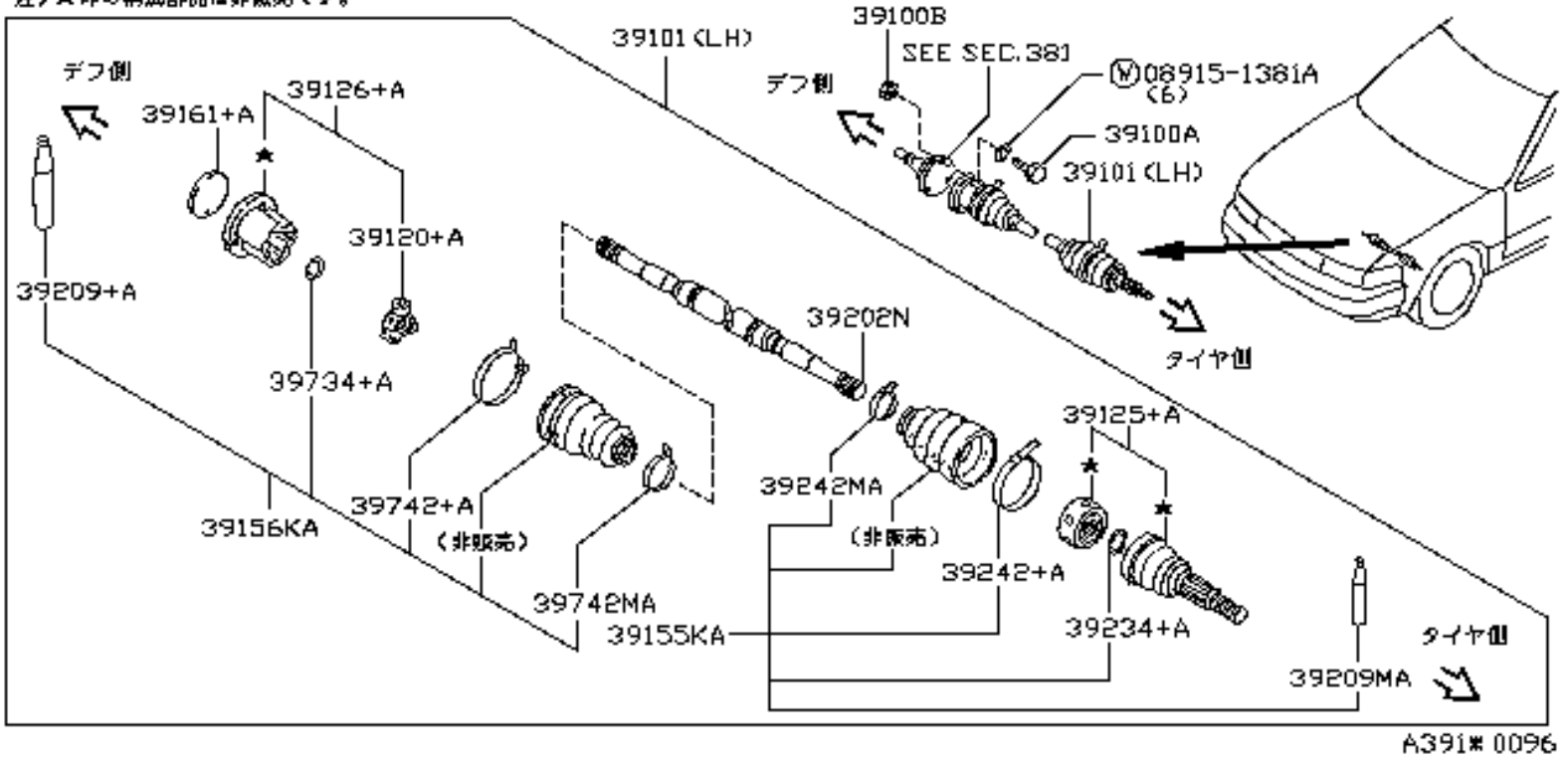
[Back To Power Train](#)

Nissan Skyline R33 - Front Drive Shaft



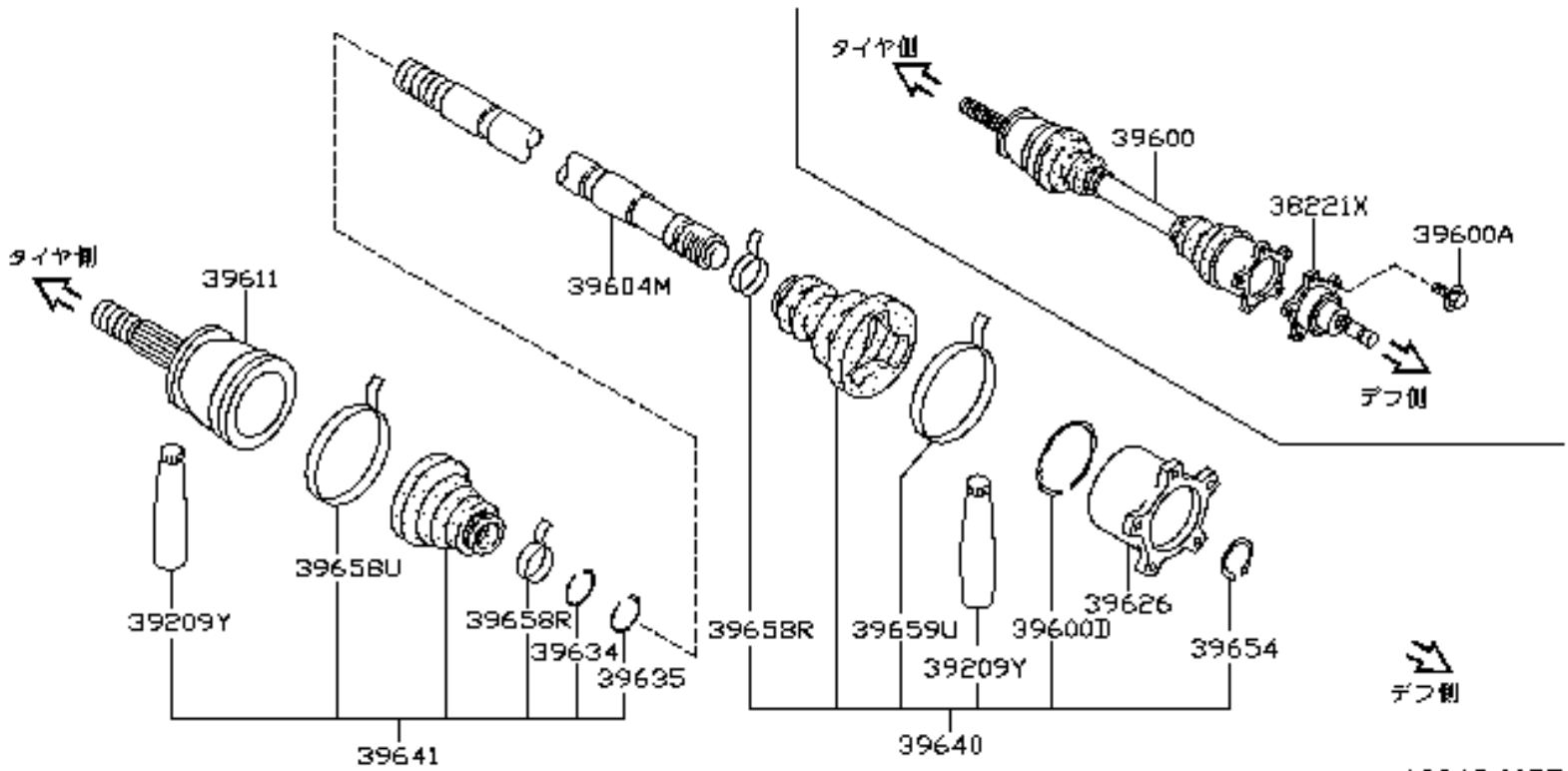
Nissan Skyline R33 - Front Drive Shaft - Page 2

注) ★印の構成部品は非販売です。



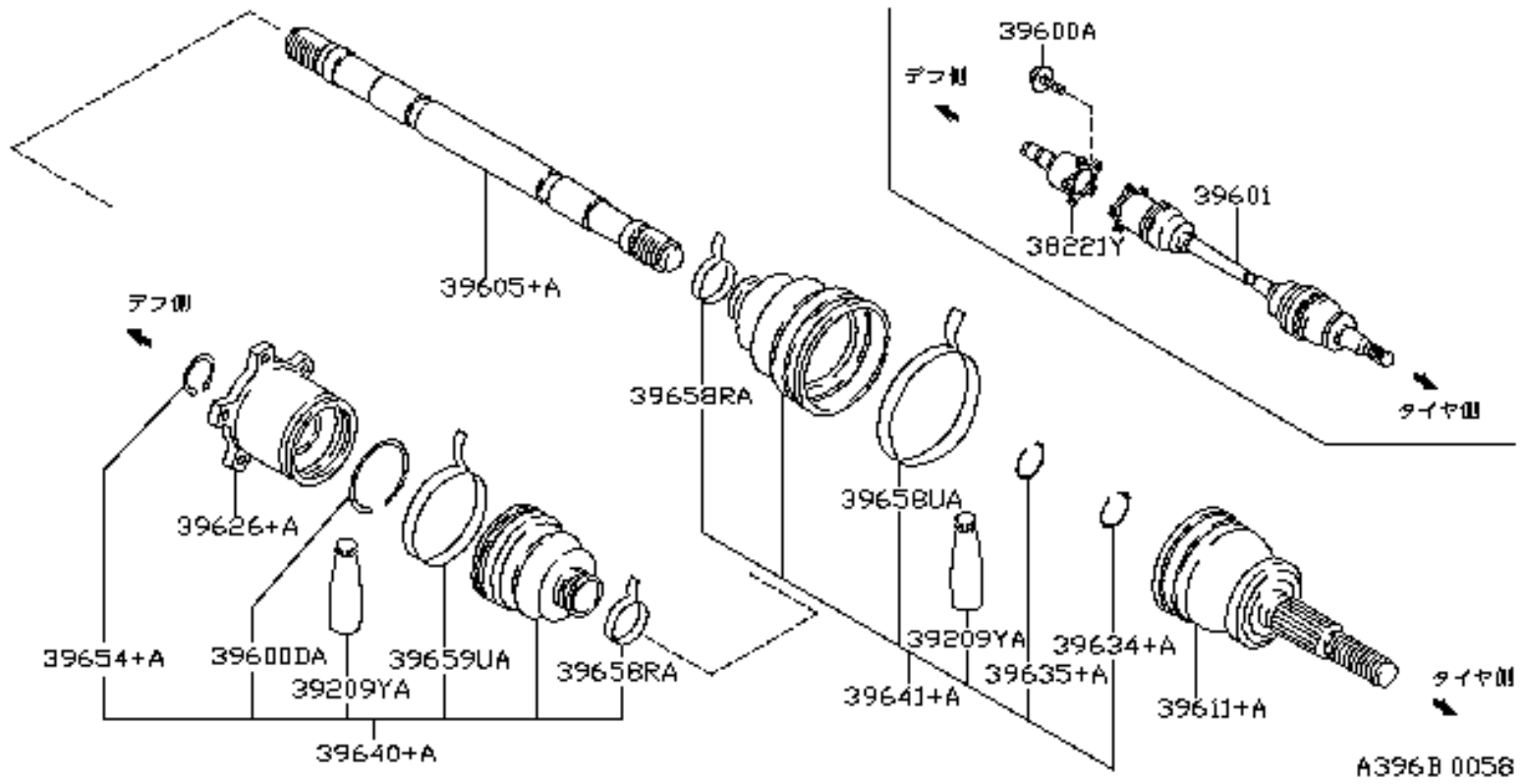
[Back To Power Train](#)

Nissan Skyline R33 - Front Drive Shaft



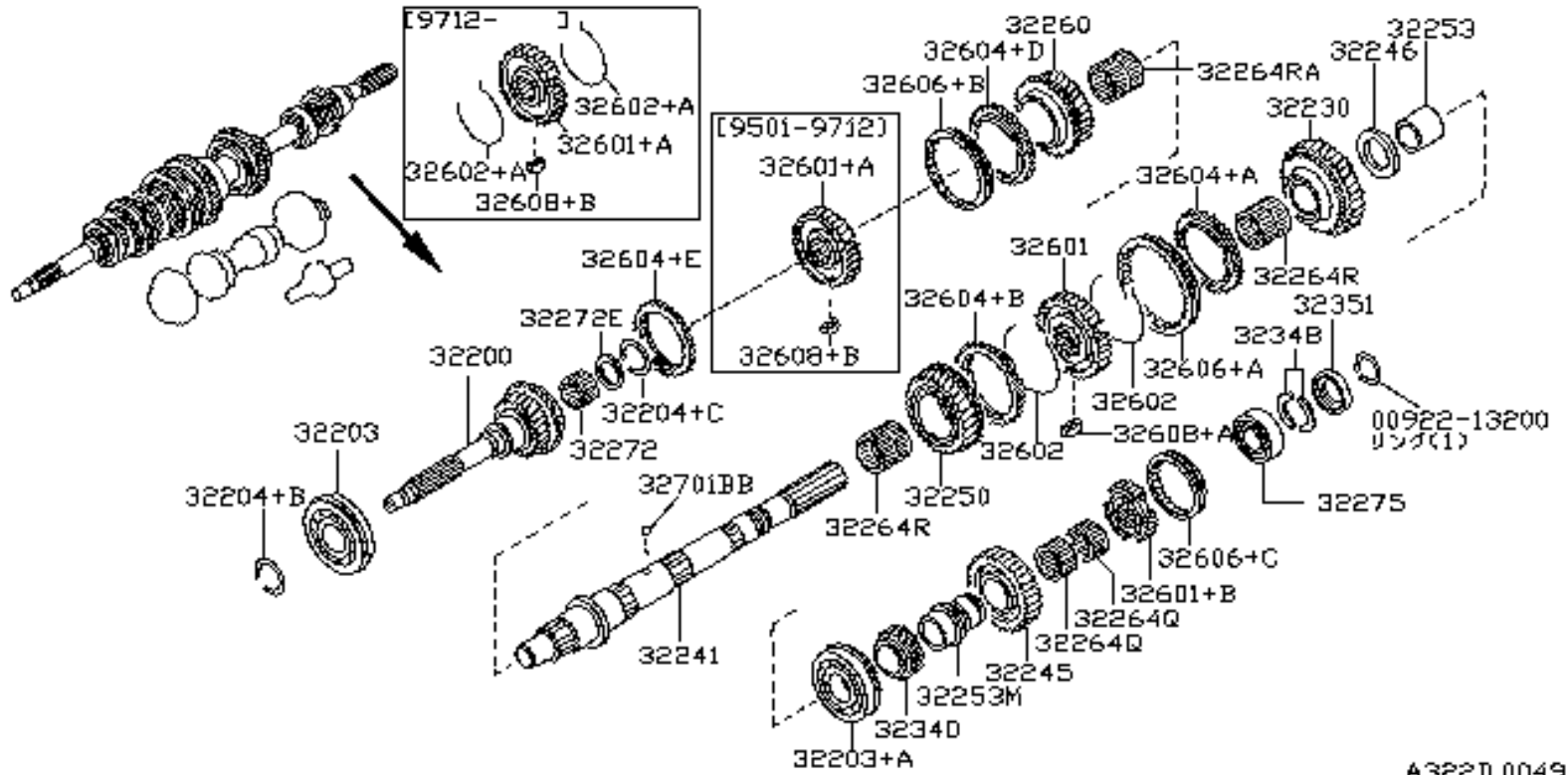
A396B 0057

Nissan Skyline R33 - Rear Drive Shaft - Page 2



[Back To Power Train](#)

Nissan Skyline R33 - Transmission Gear

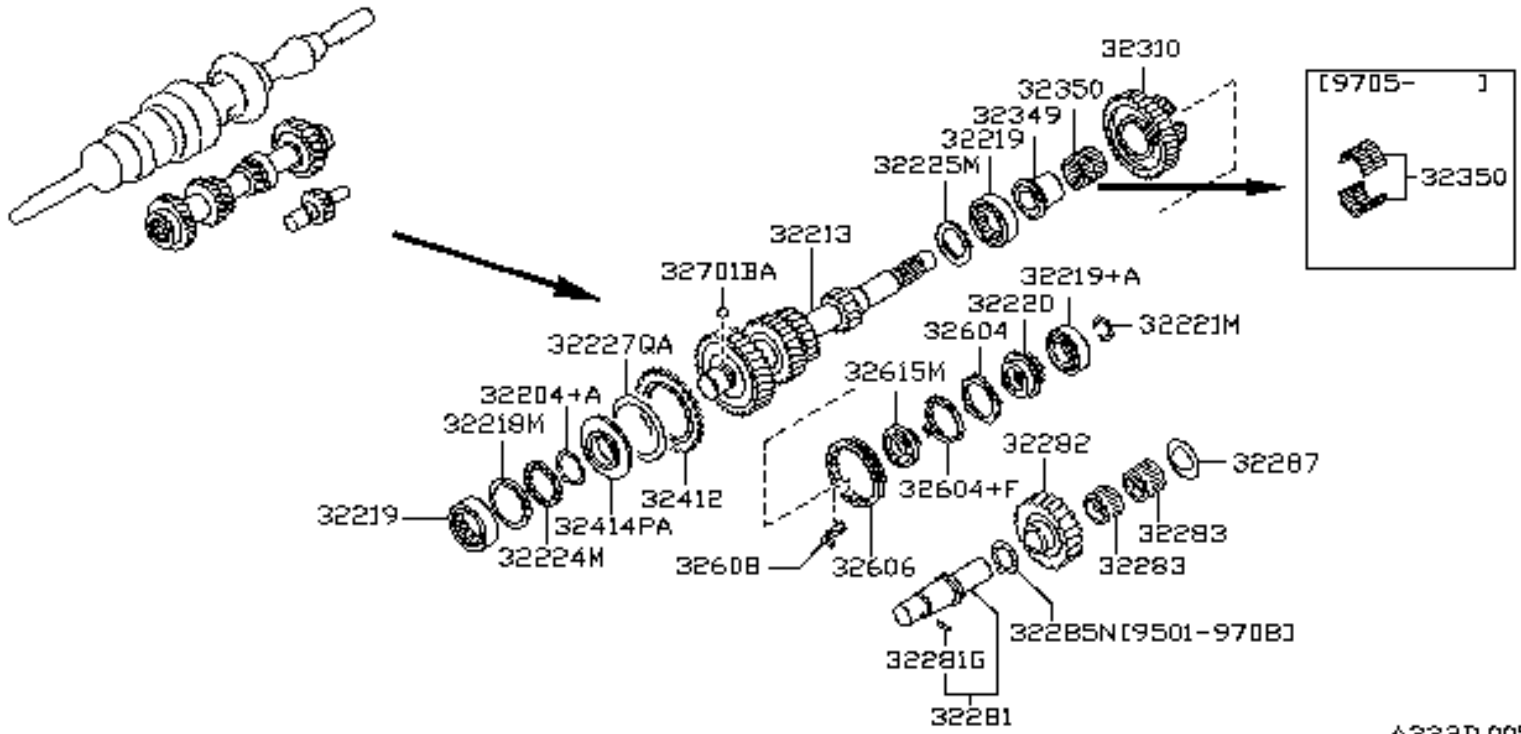


A322D 0049

[Page 2](#)

[Back To Power Train](#)

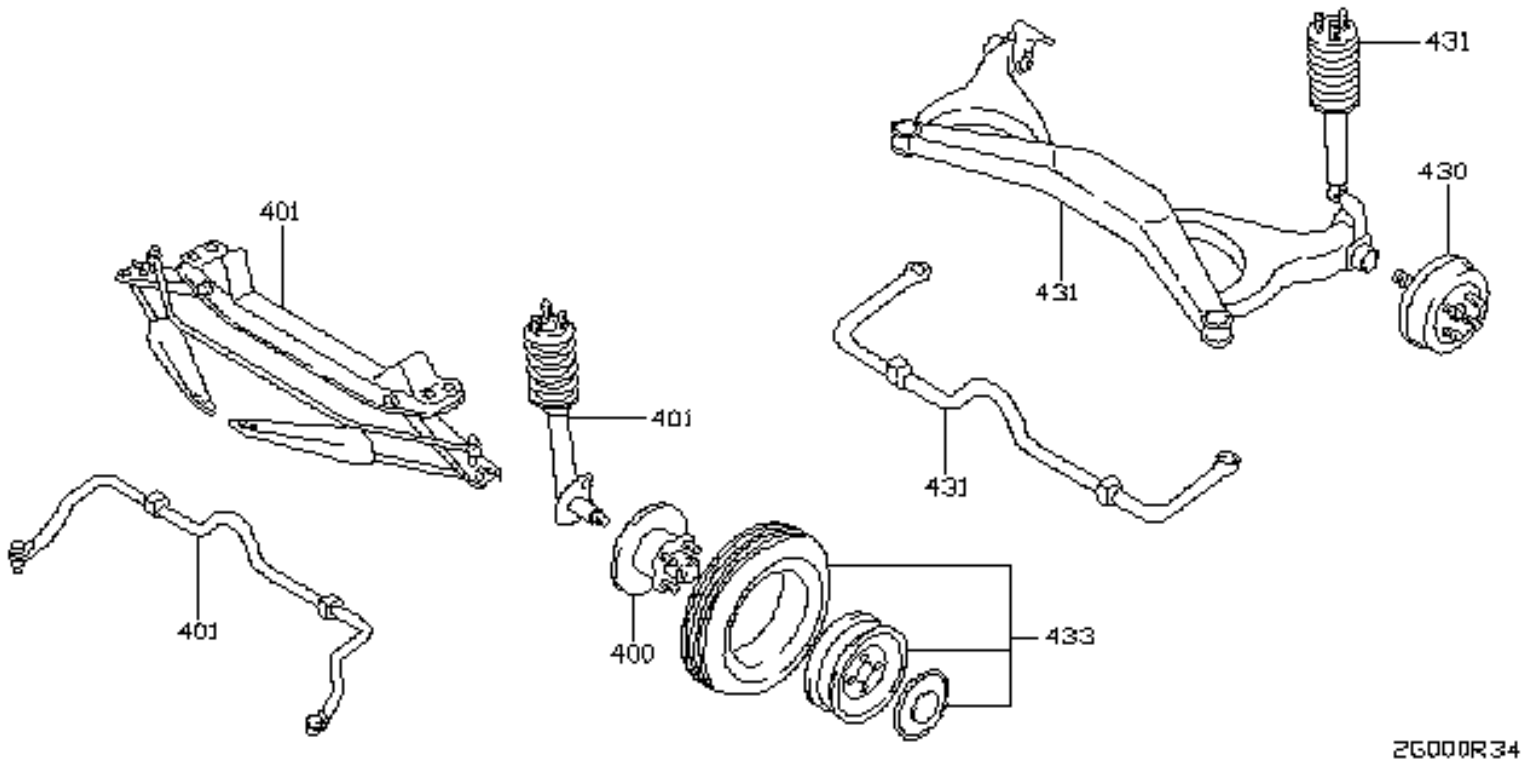
Nissan Skyline R33 - Transmission Gear - Page 2



A322D 0050

[Back To Power Train](#)

Nissan Skyline R33 - Axle & Suspension



2G000R34

Index

[Back To Main Menu](#)

400 - [Front Axle & Brake Disc](#)

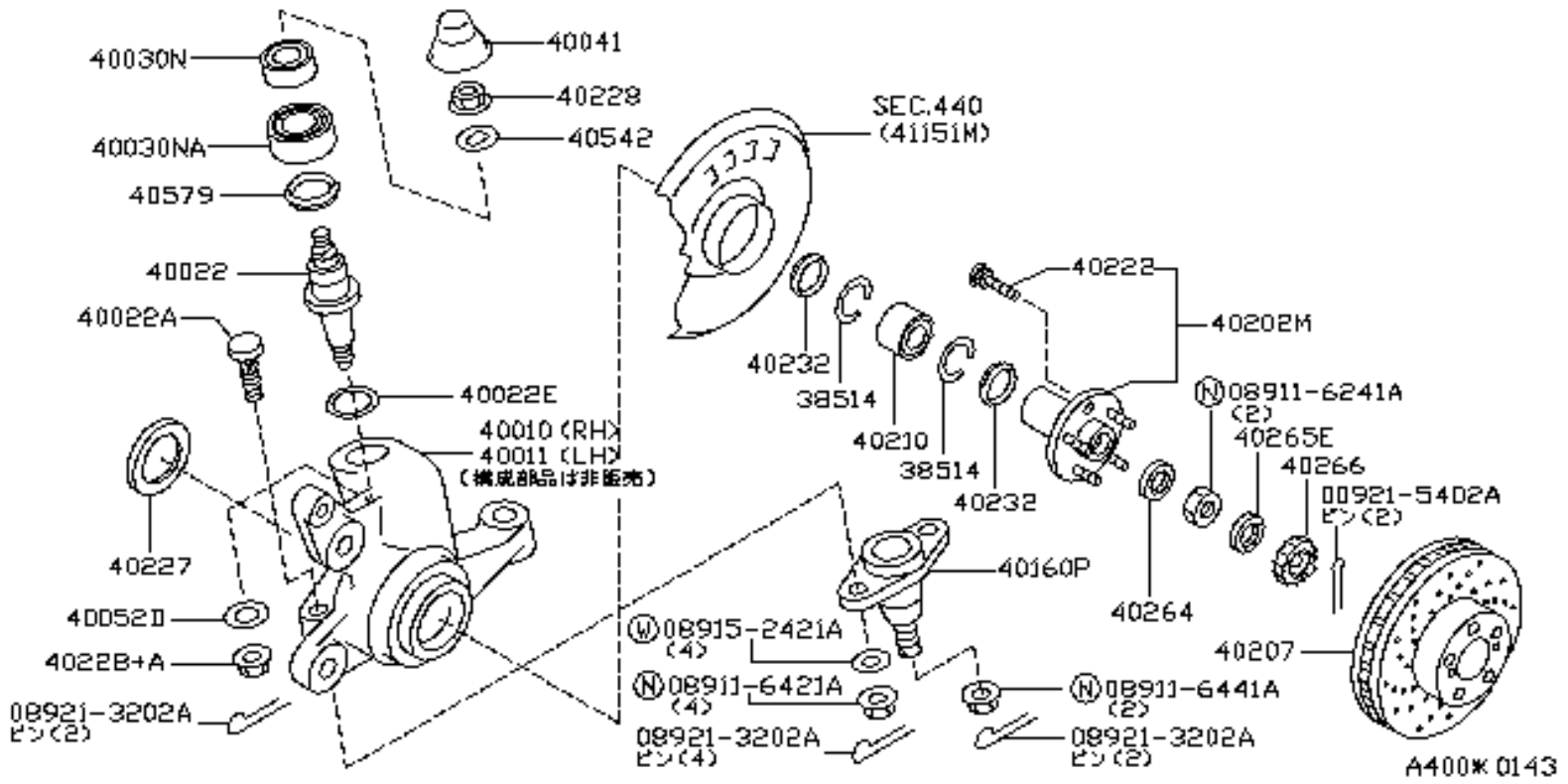
401 - [Front Suspension](#)

430 - [Rear Axle & Brake Disc](#)

431 - [Rear Suspension](#)

433 - [Wheels](#)

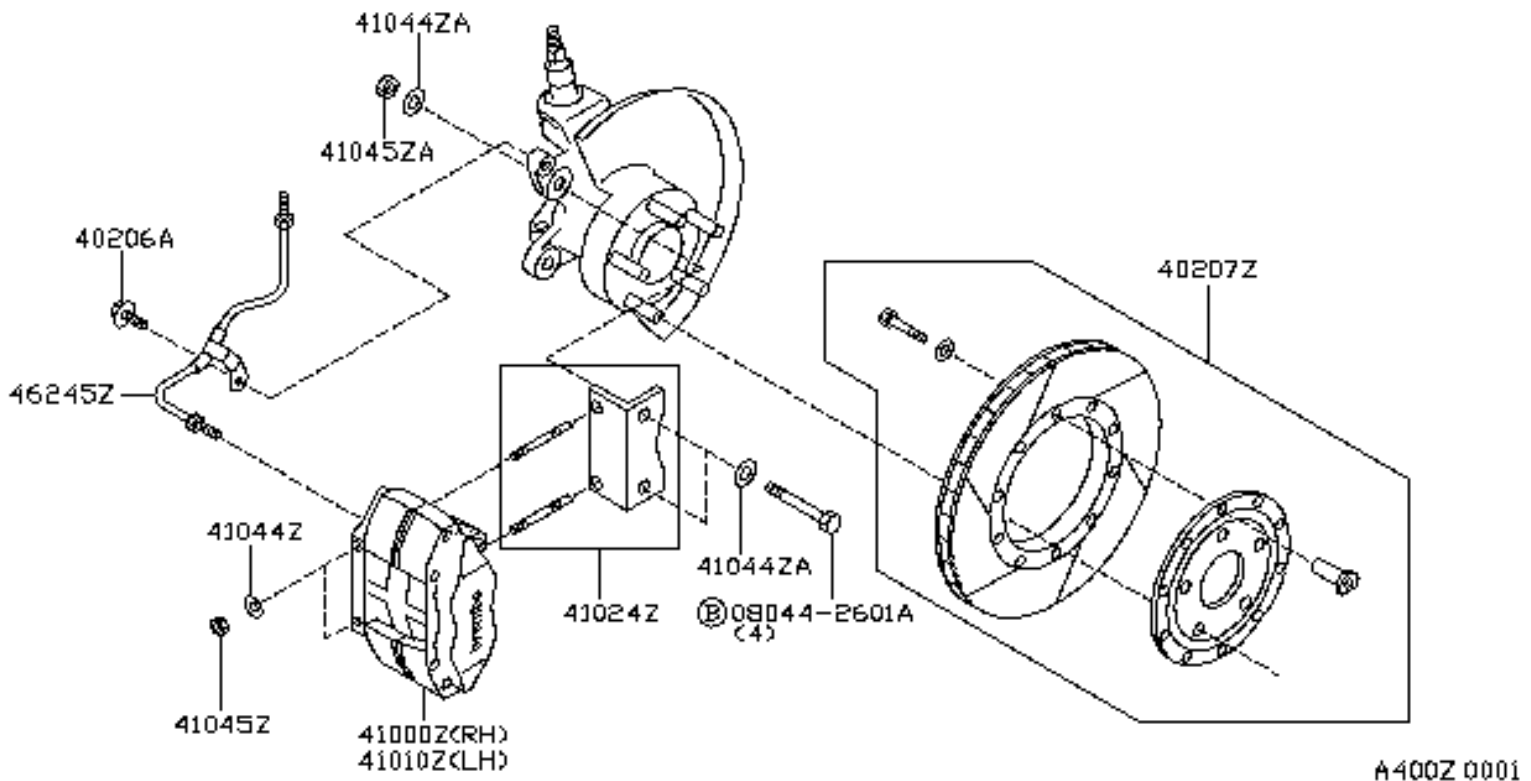
Nissan Skyline R33 - Front Axle & Brake Discs



[Page 2](#)

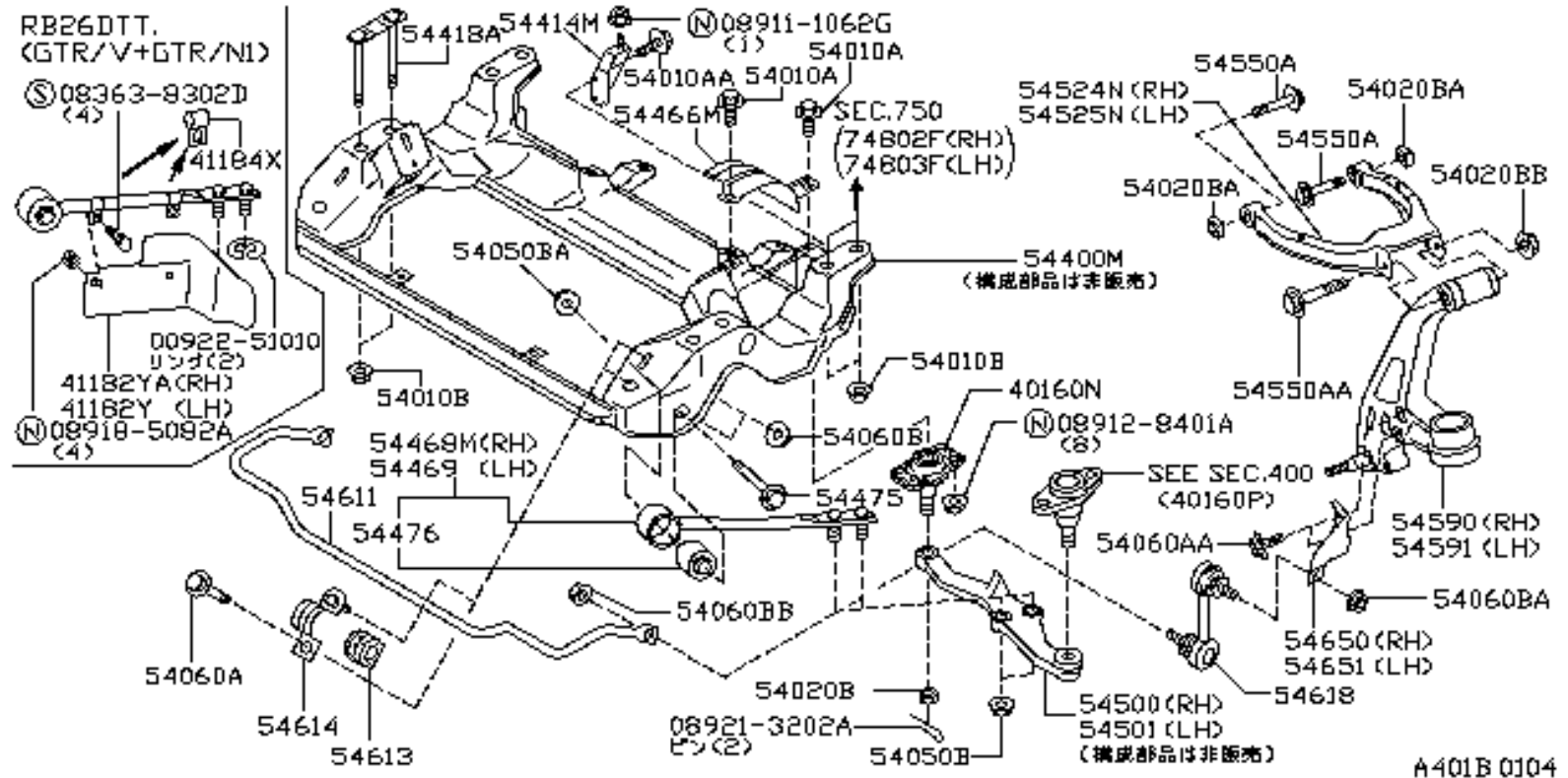
[Back To Axle & Suspension](#)

Nissan Skyline R33 - Front Axle & Brake Discs- Page 2



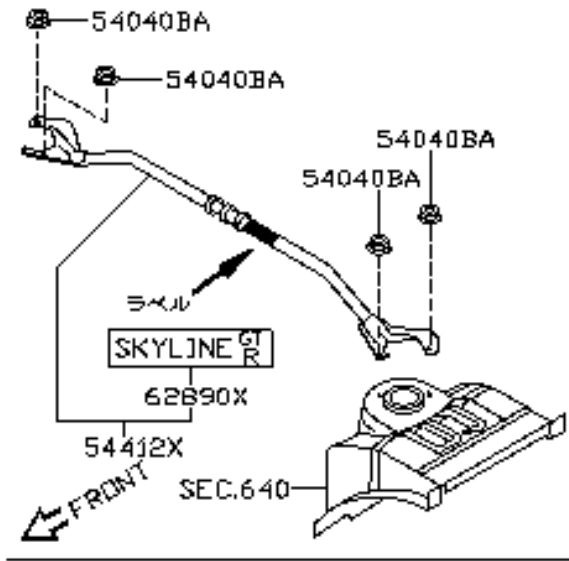
[Back To Axle & Suspension](#)

Nissan Skyline R33 - Front Suspension

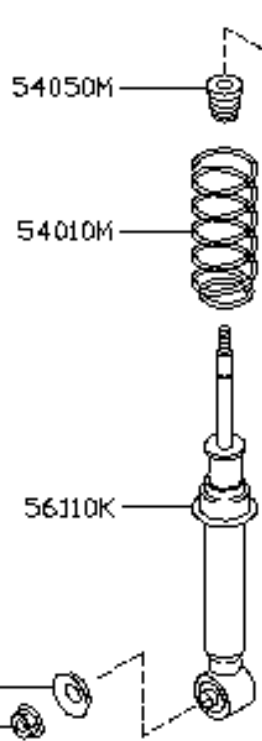


Nissan Skyline R33 - Front Suspension - Page 2

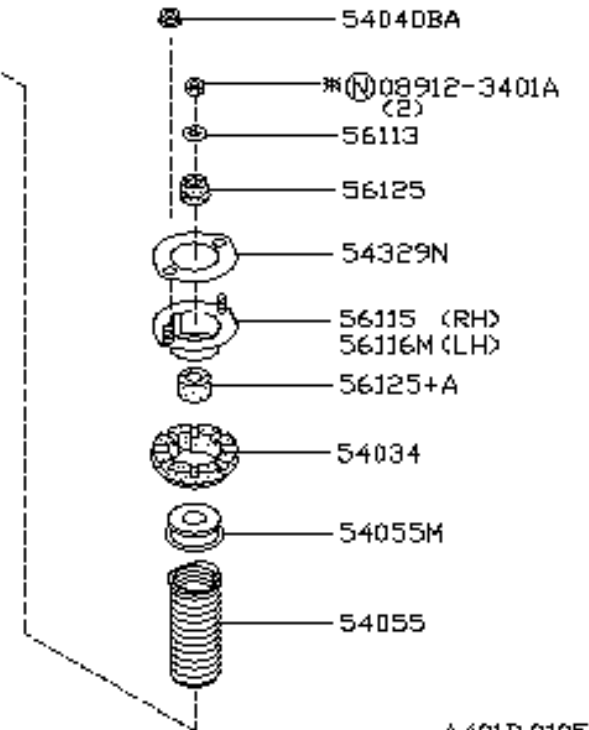
RB26DETT(9501-)



54040C
54040B



注) ※ 甲の部品は部品コード 56110K の構成を示します。

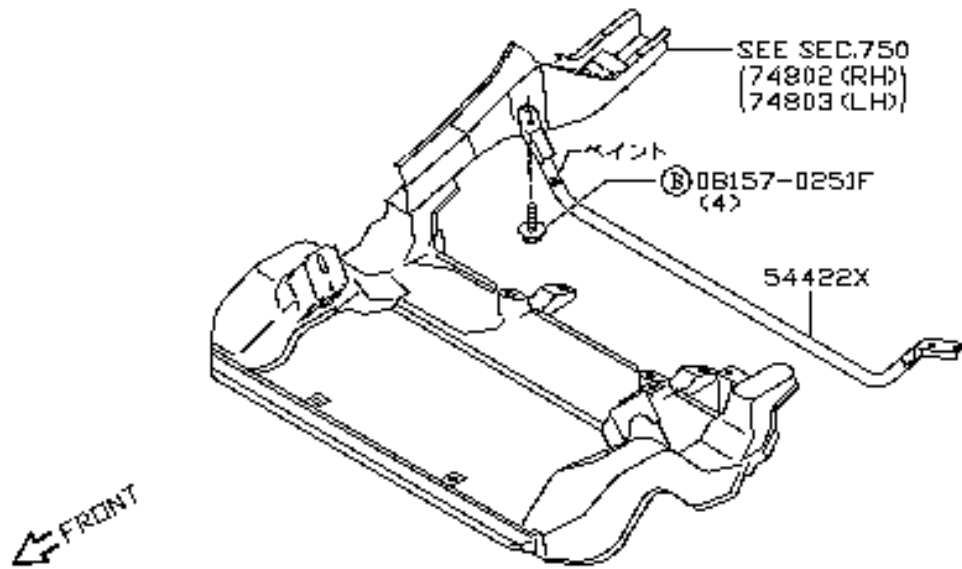


A401B 0105

[Page 3](#)

[Back To Axle & Suspension](#)

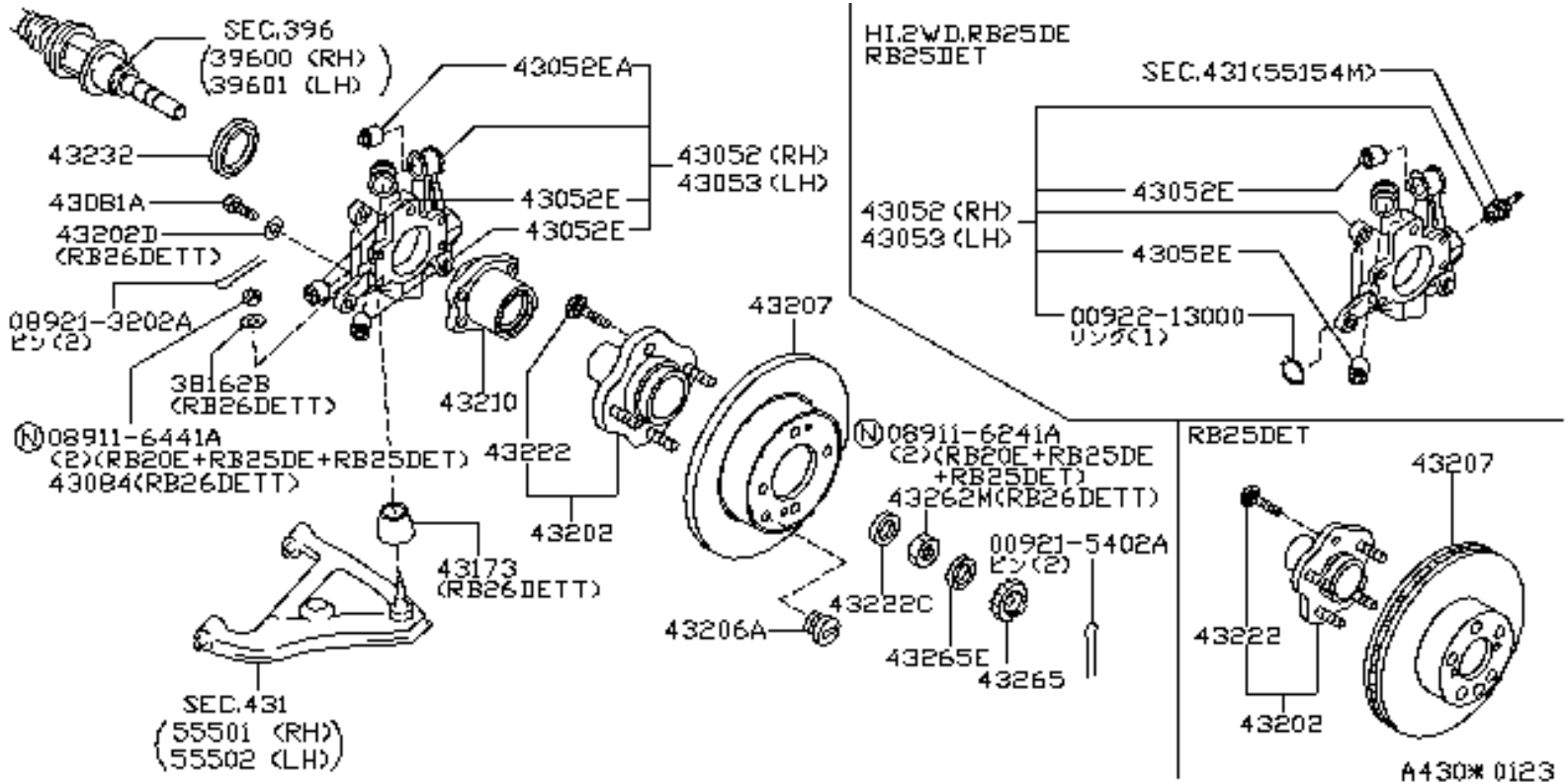
Nissan Skyline R33 - Front Suspension



A401B 0131

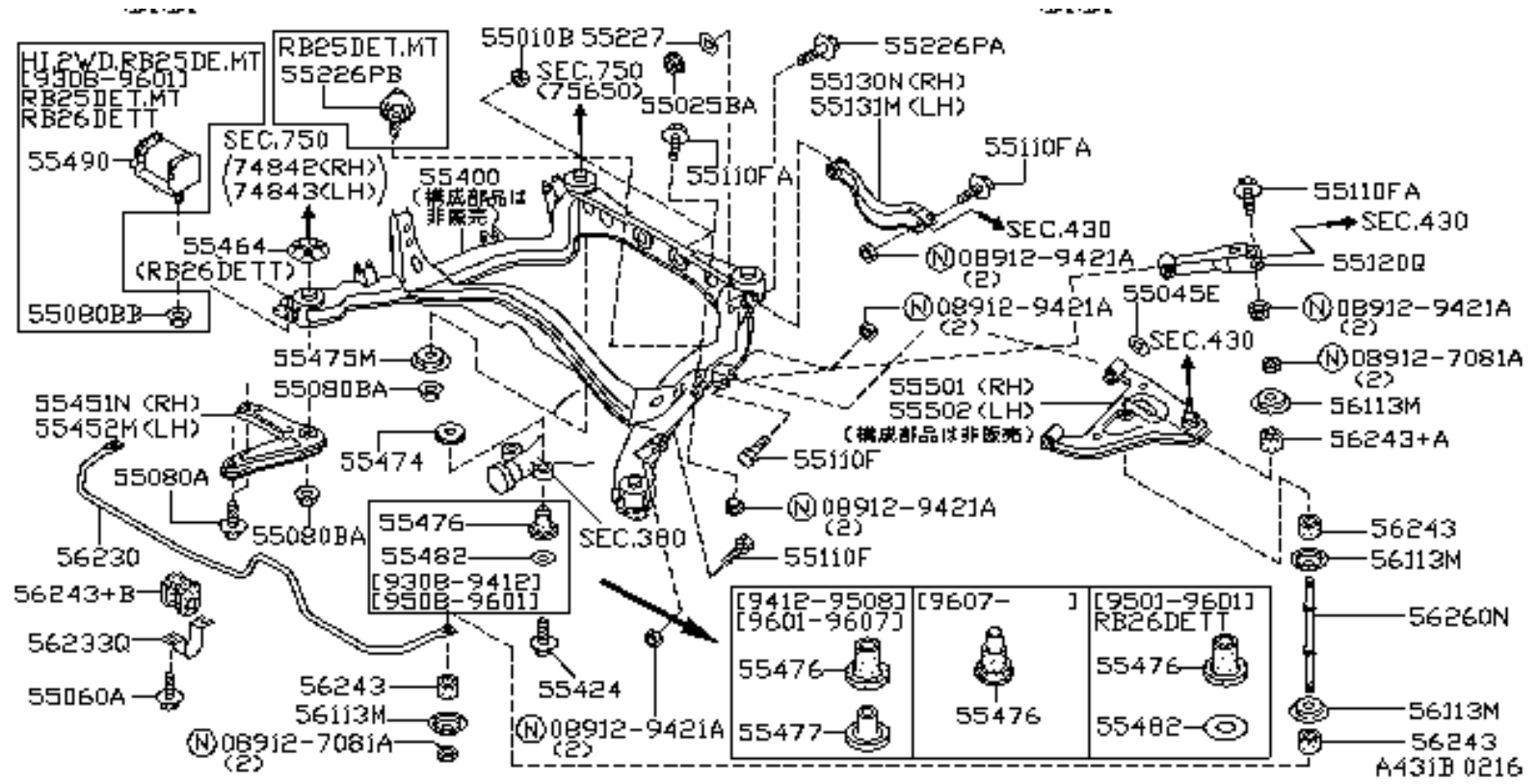
[Back To Axle & Suspension](#)

Nissan Skyline R33 - Rear Axle & Brake Disc

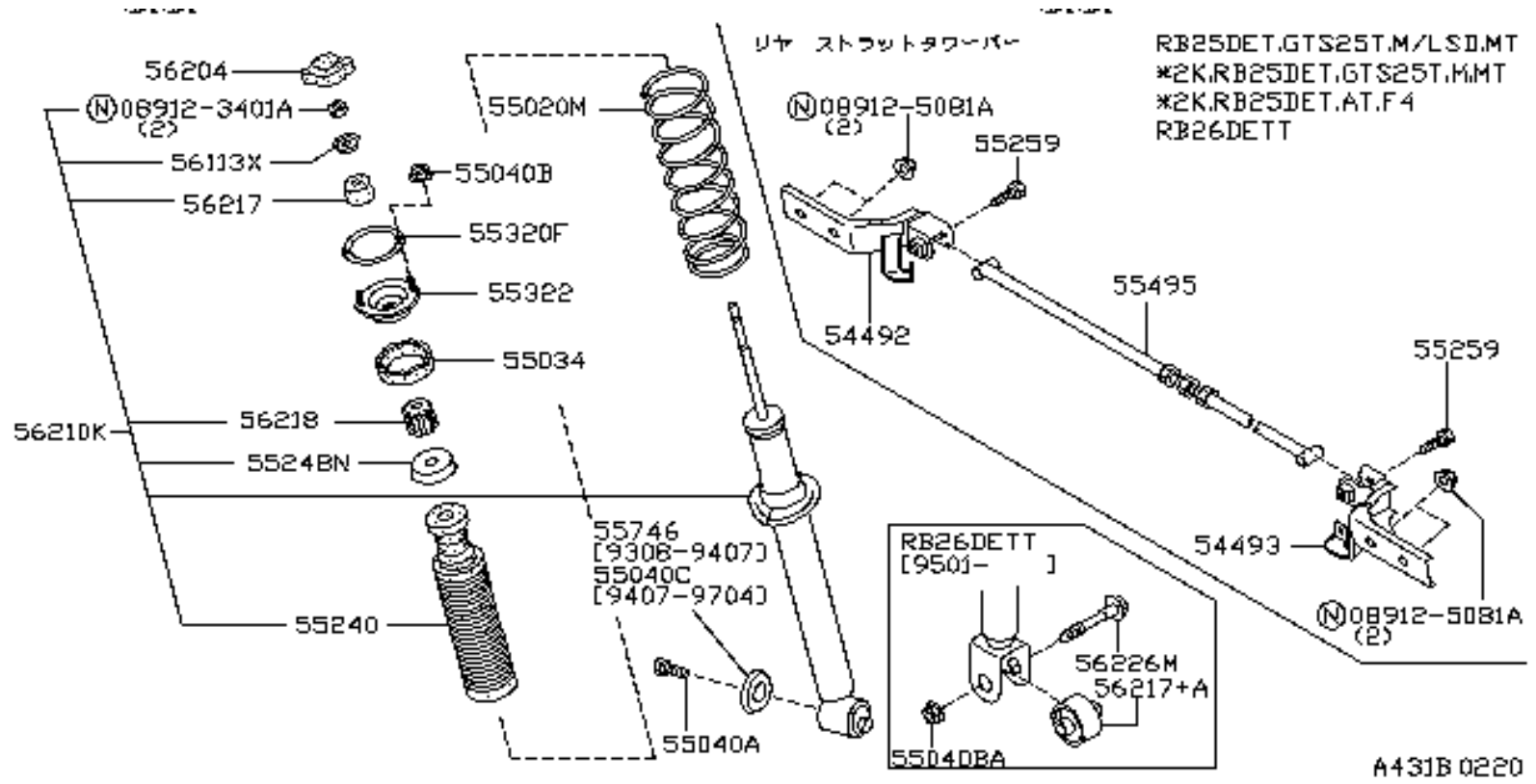


[Back To Axle & Suspension](#)

Nissan Skyline R33 - Rear Suspension



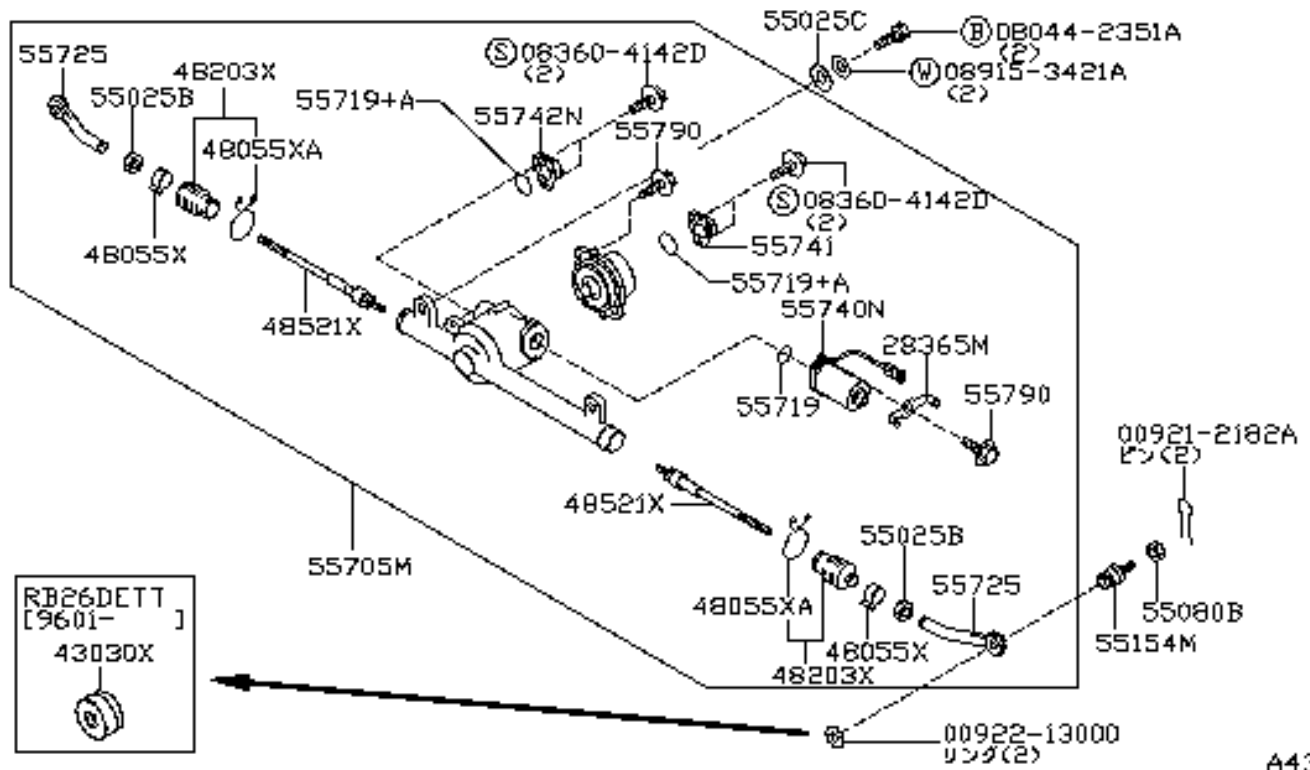
Nissan Skyline R33 - Rear Suspension - Page 2



[Page 3](#)

[Back To Axle & Suspension](#)

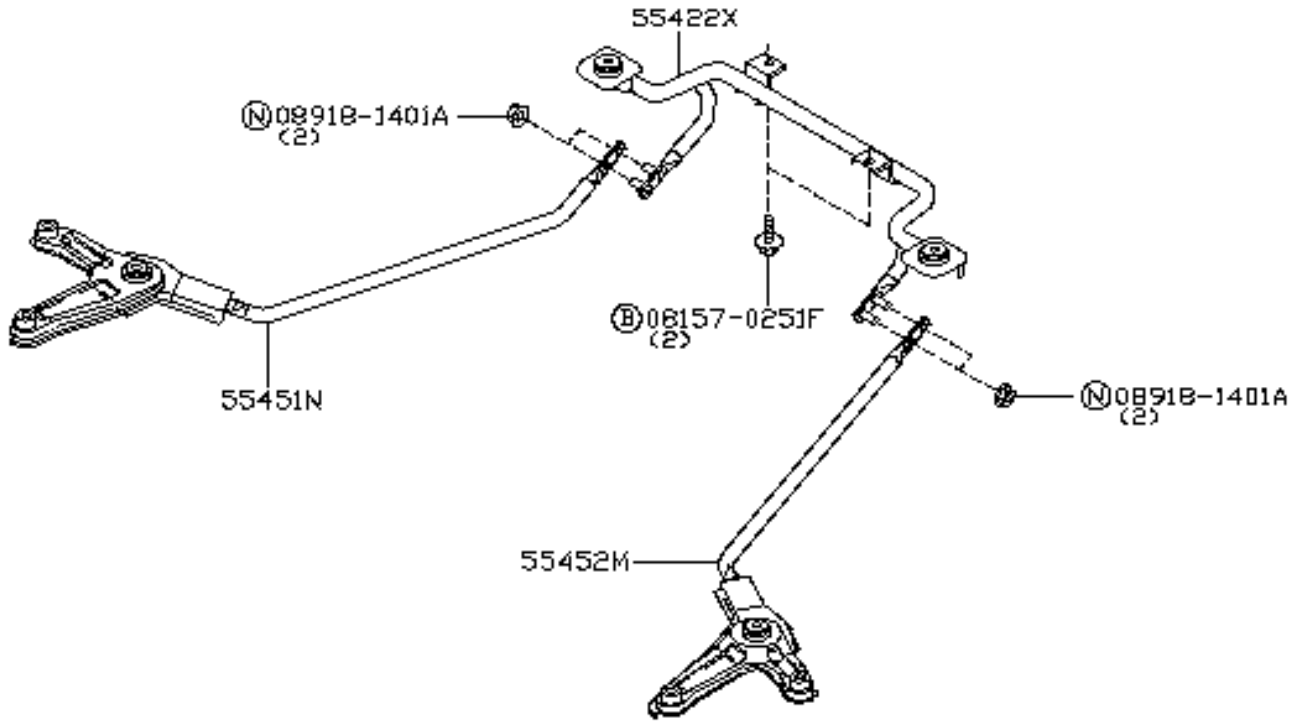
Nissan Skyline R33 - Rear Suspension - Page 3



[Page 4](#)

[Back To Axle & Suspension](#)

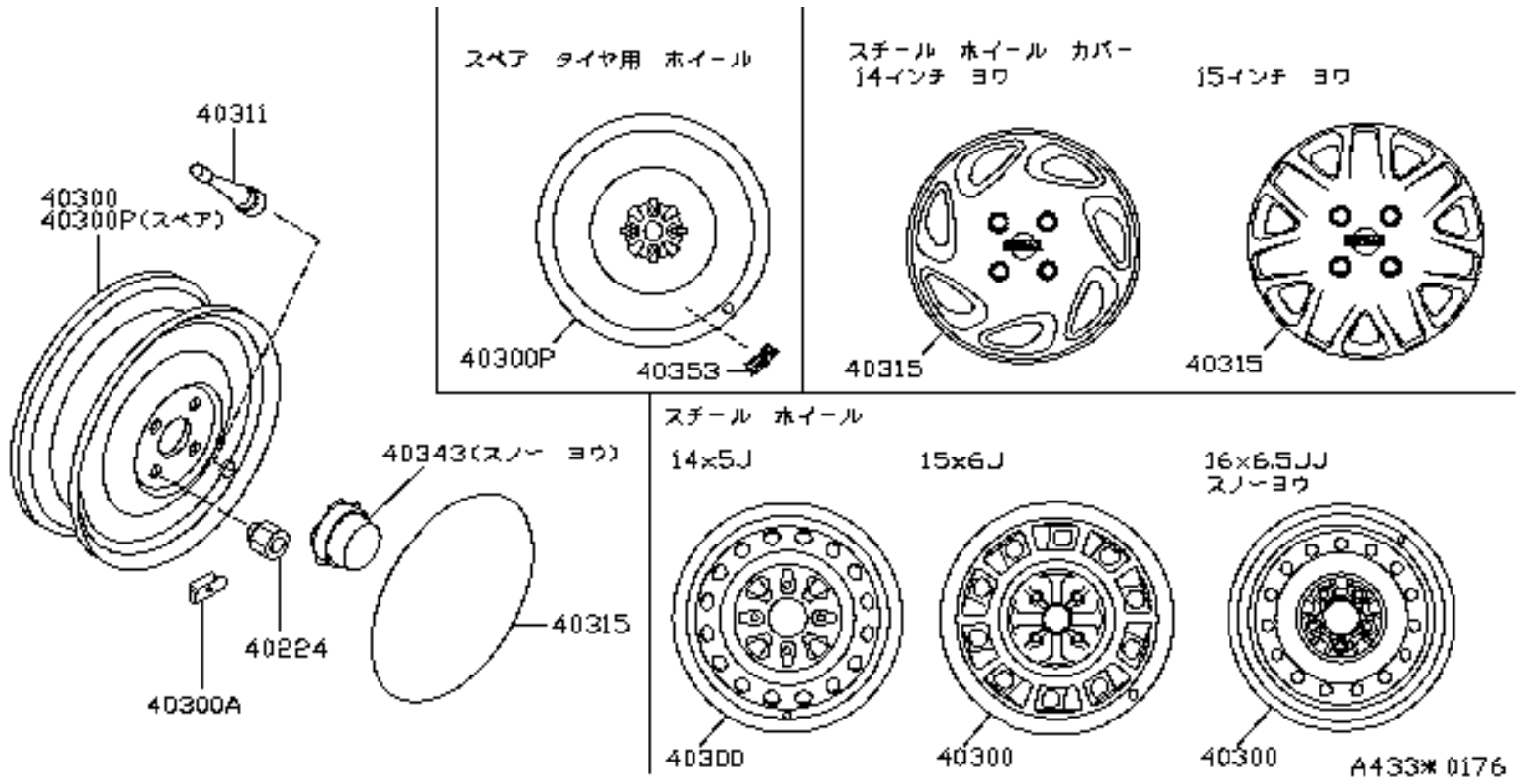
Nissan Skyline R33 - Rear Suspension - Page 4



A431B 0246

[Back To Axle & Suspension](#)

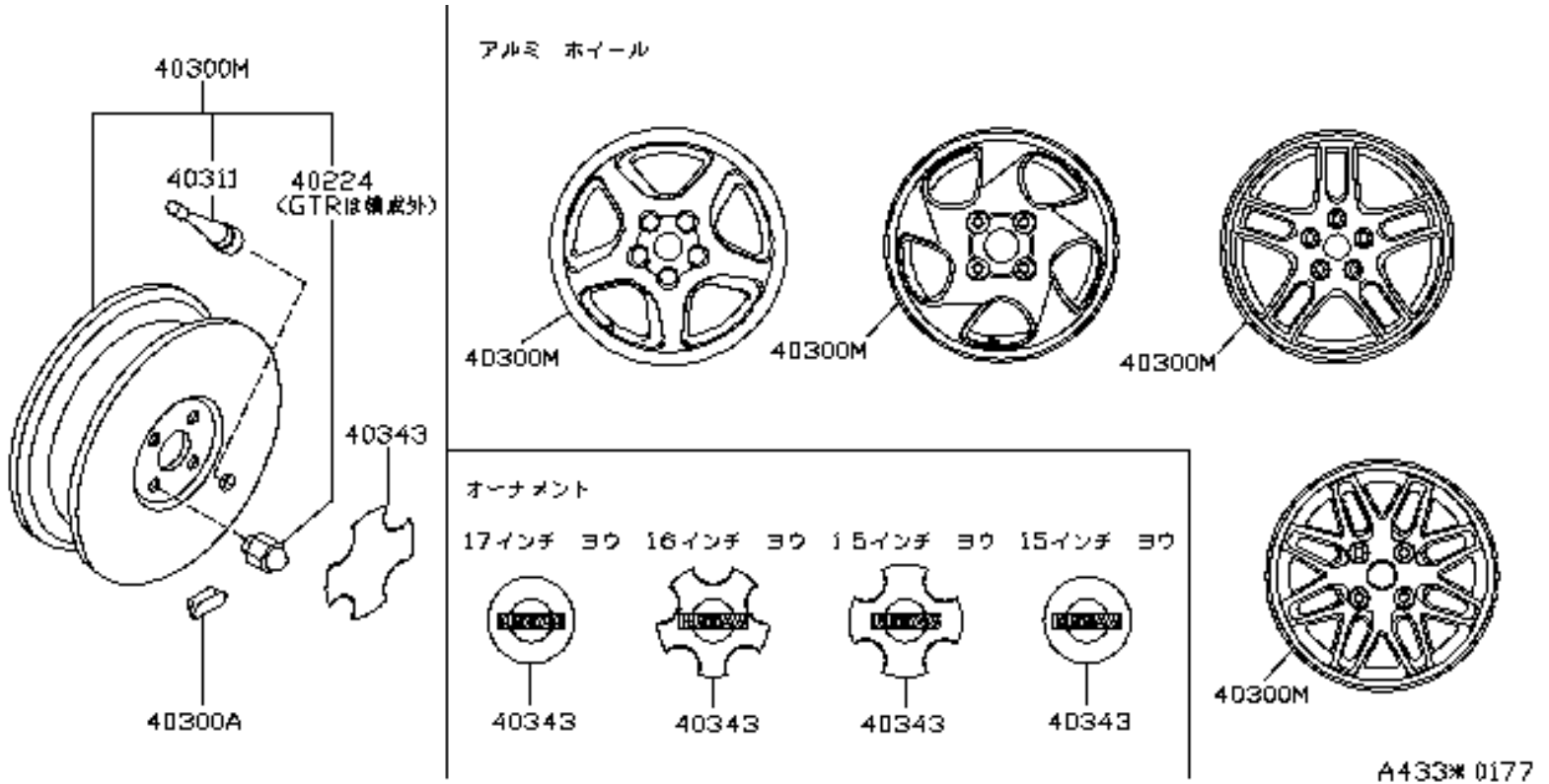
Nissan Skyline R33 - Wheels



[Page 2](#)

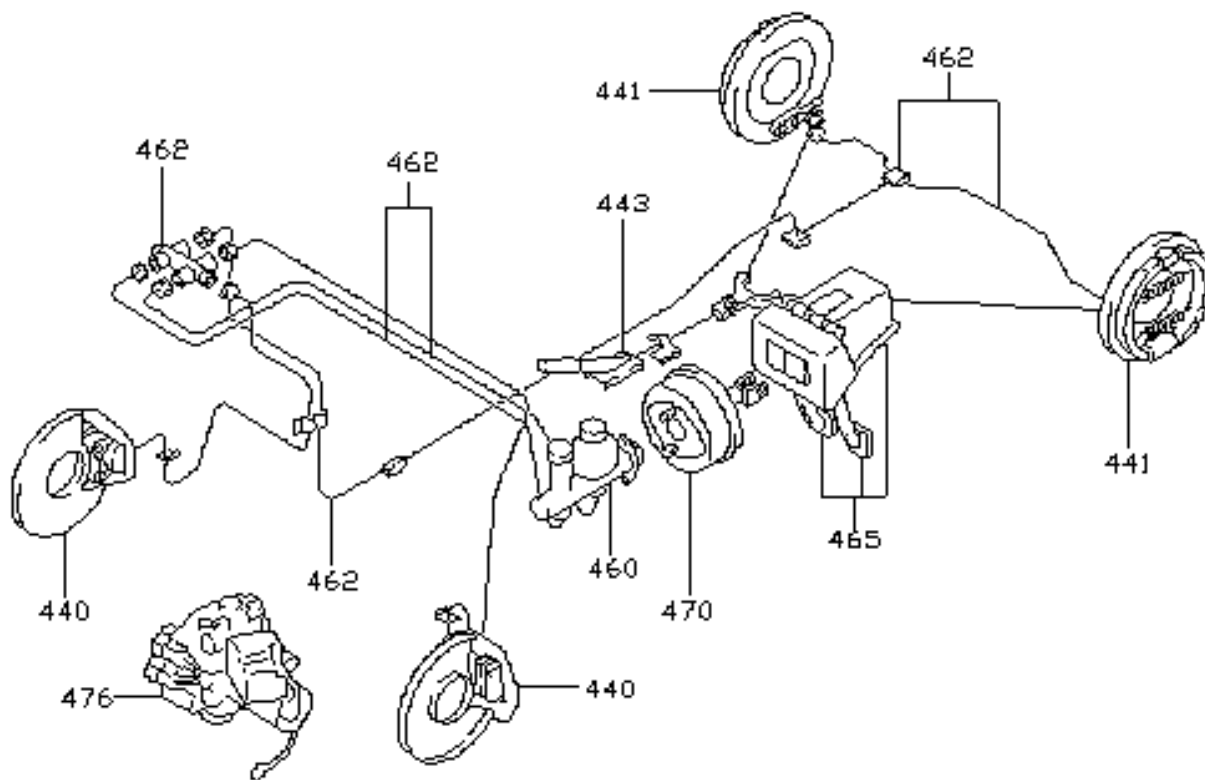
[Back To Axle & Suspension](#)

Nissan Skyline R33 - Wheels - Page 2



[Back To Axle & Suspension](#)

Nissan Skyline R33 - Brakes



ZH000R34

Index

[Back To Main Menu](#)

440 - [Front Brakes](#)

441 - [Rear Brakes](#)

460 - [Brake Master Cylinder](#)

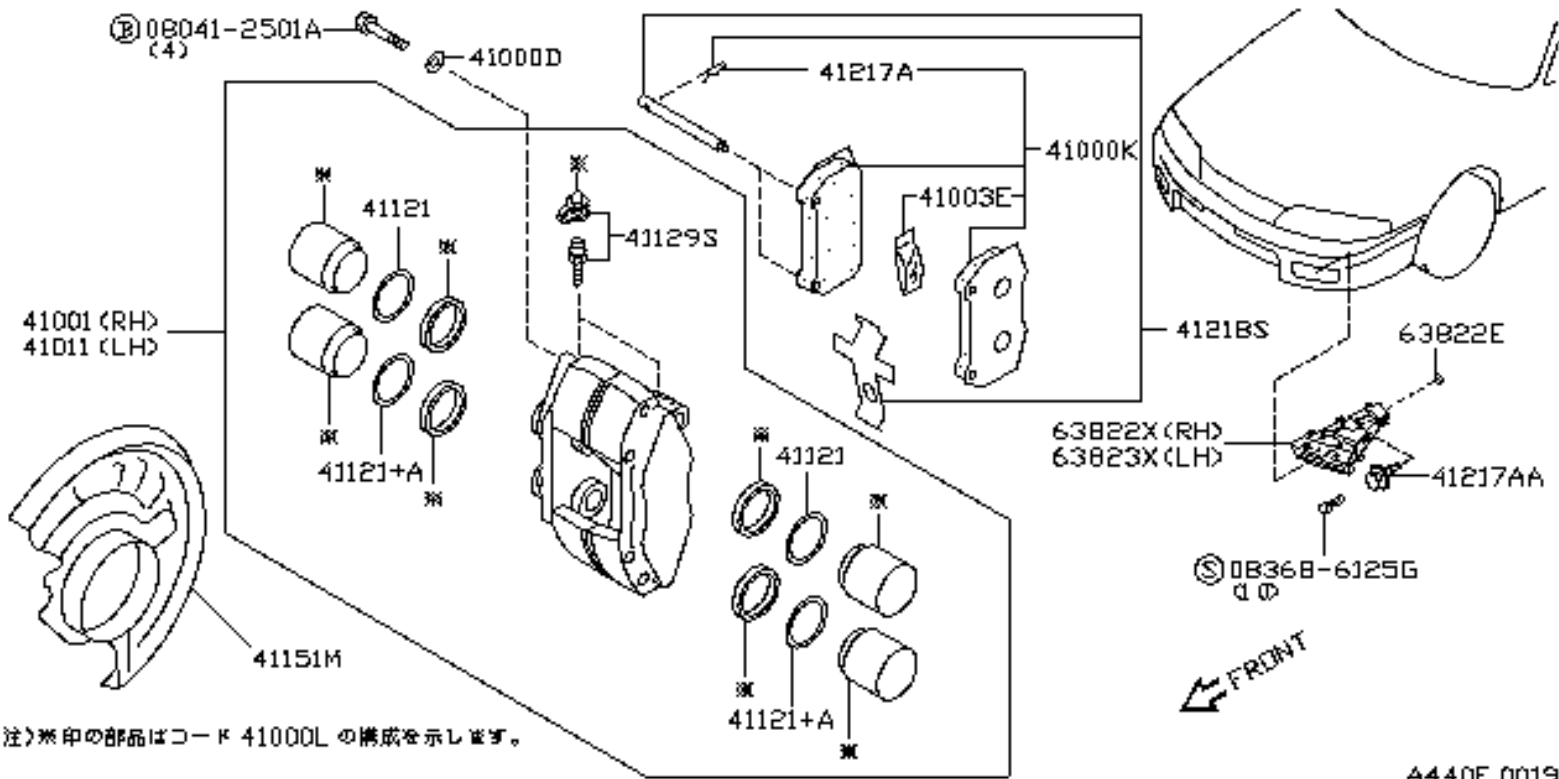
462 - [Brake Piping](#)

465 - [Brake & Clutch Pedal](#)

470 - [Brake Servo](#)

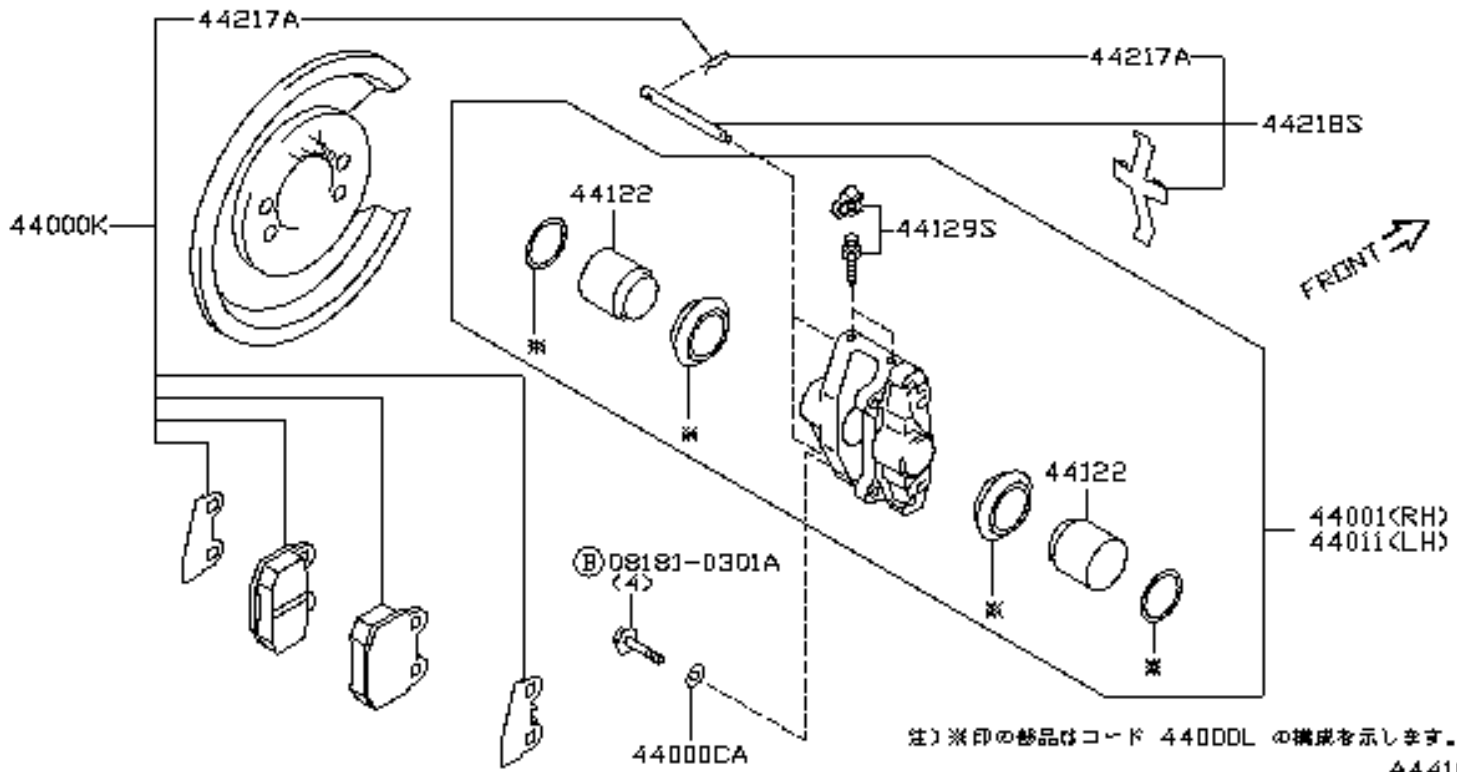
476 - [A.B.S Control](#)

Nissan Skyline R33 - Front Brakes



[Back To Brakes](#)

Nissan Skyline R33 - Rear Brakes

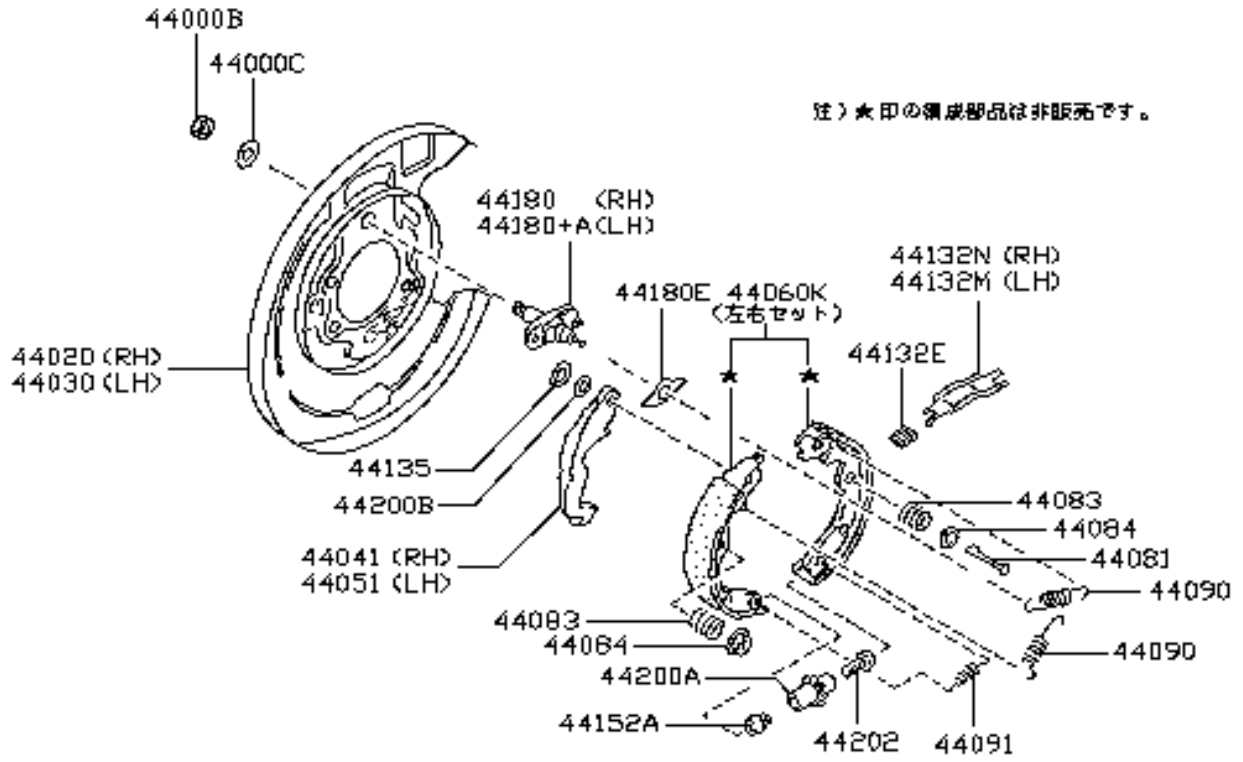


A441C 0103

[Page 2](#)

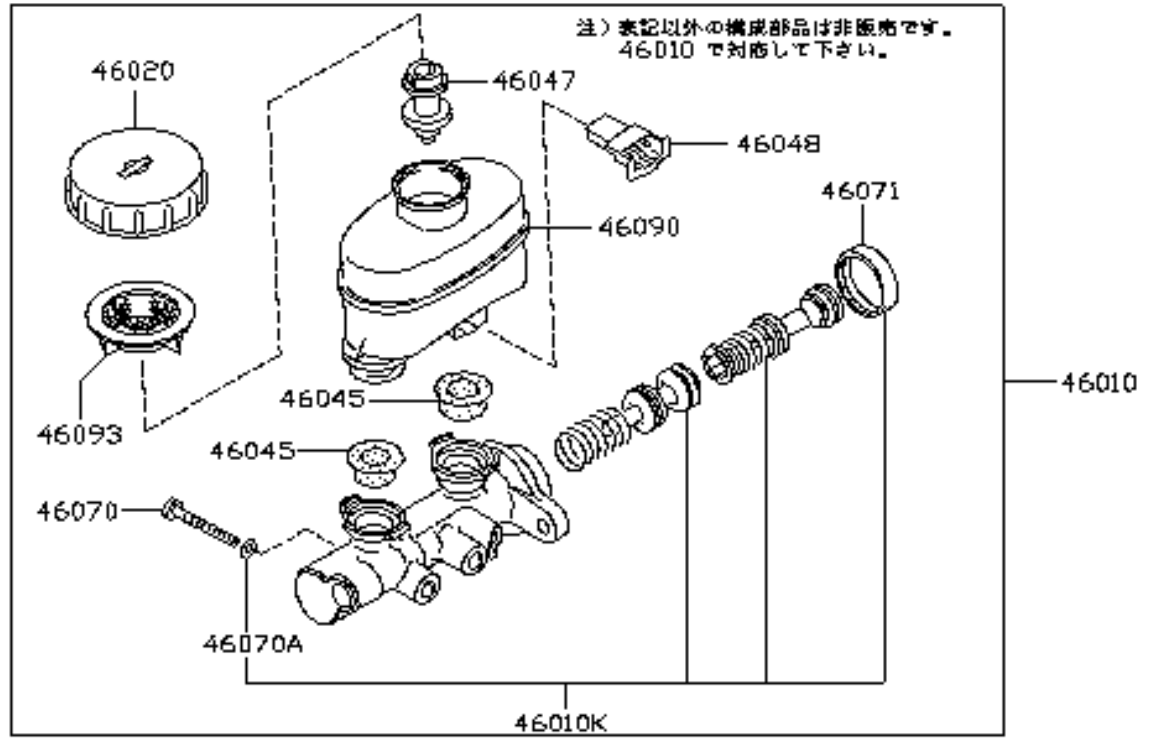
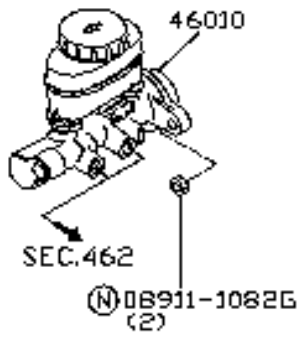
[Back To Brakes](#)

Nissan Skyline R33 - Rear Brakes - Page 2



[Back To Brakes](#)

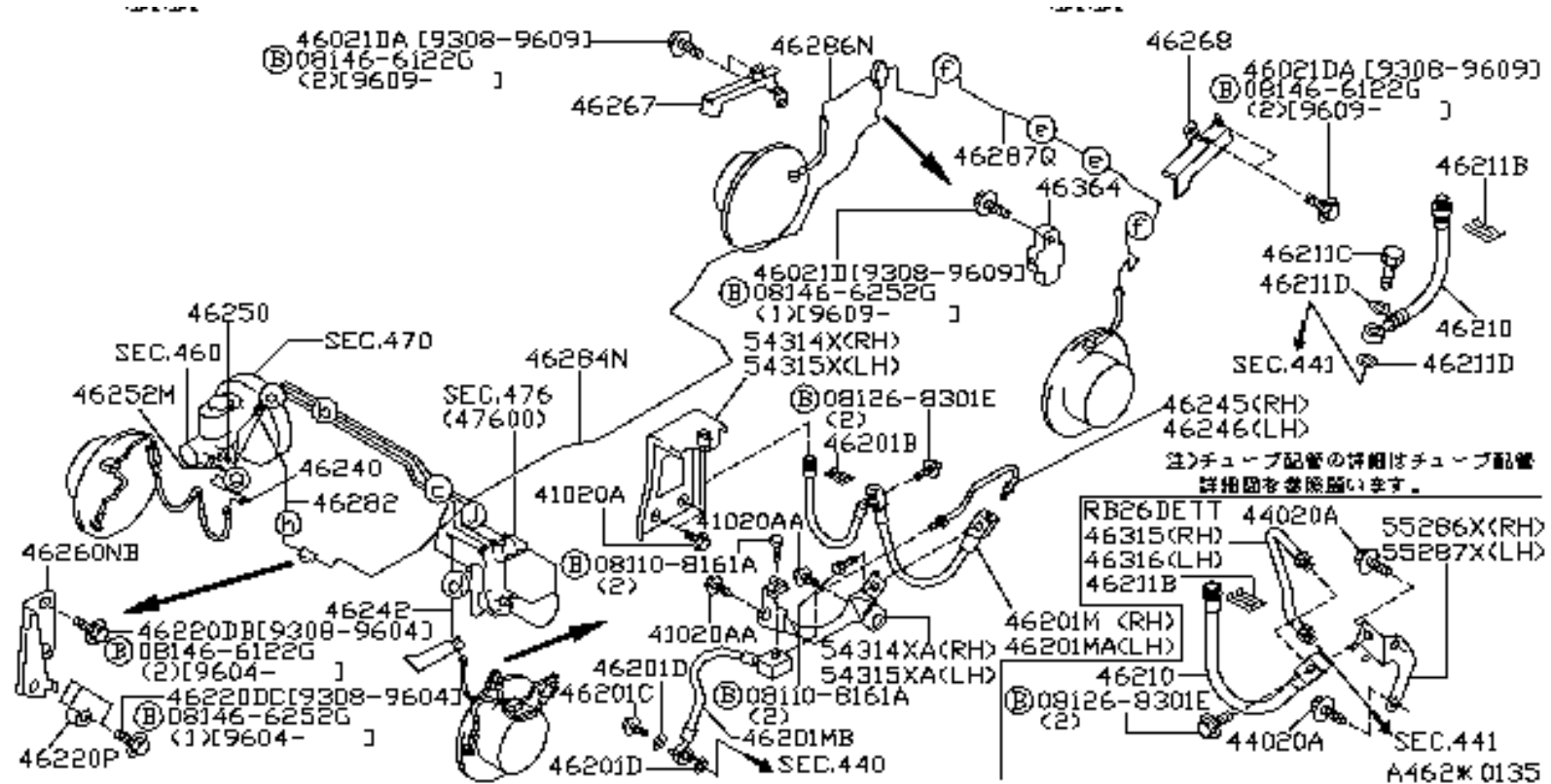
Nissan Skyline R33 - Brake Master Cylinder



A460C 0069

[Back To Brakes](#)

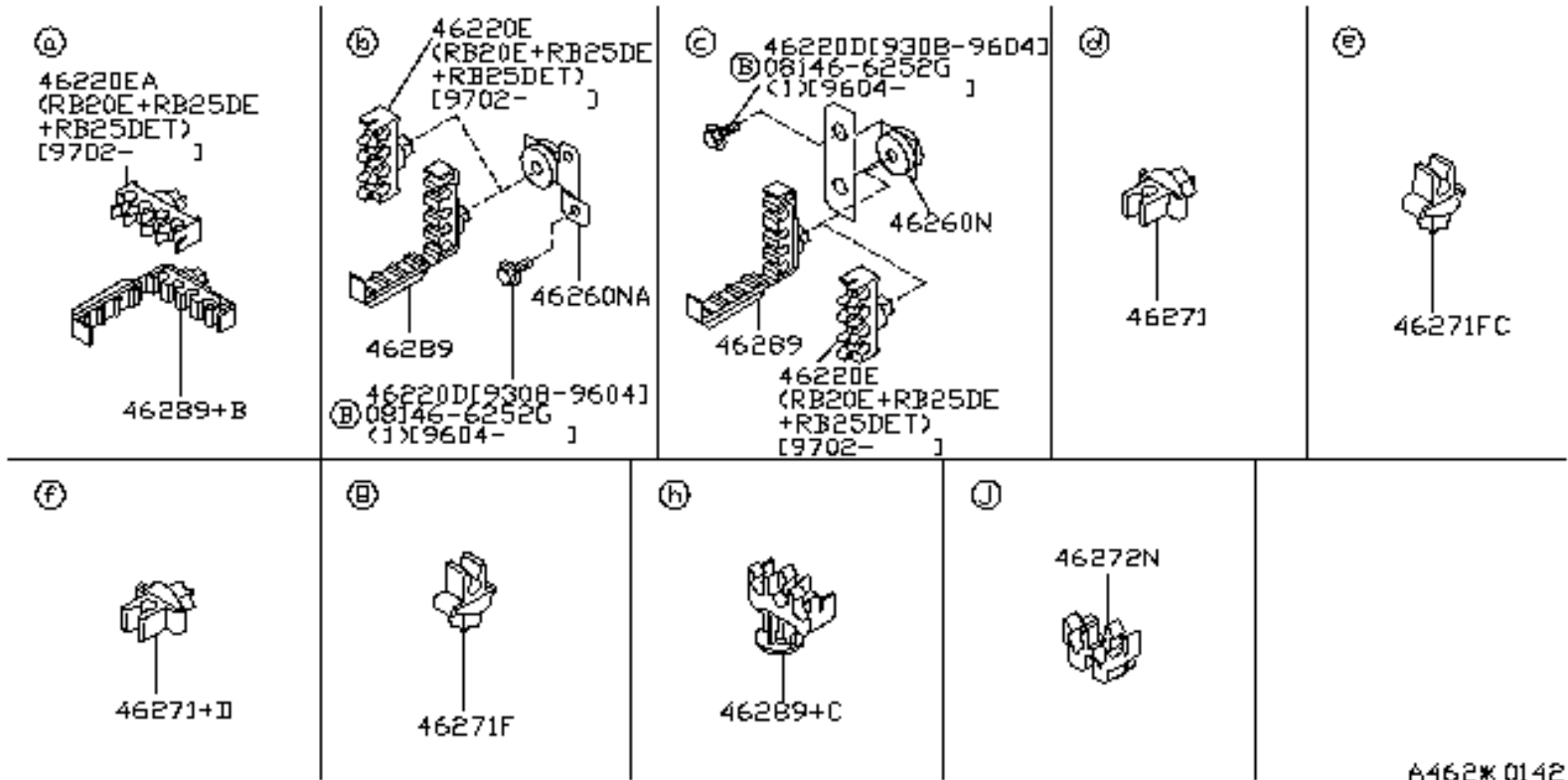
Nissan Skyline R33 - Brake Piping



[Page 2](#)

[Back To Brakes](#)

Nissan Skyline R33 - Brake Piping - Page 2



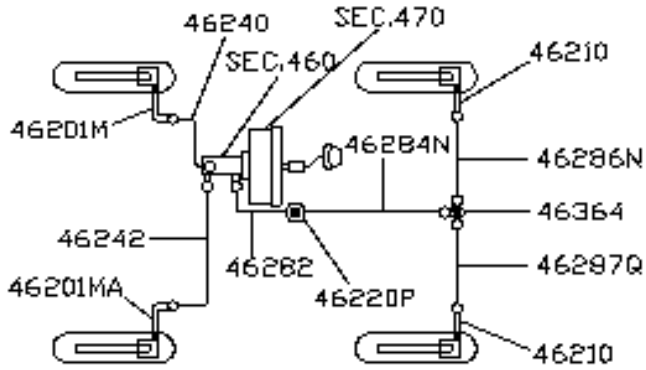
[Page 3](#)

[Back To Brakes](#)

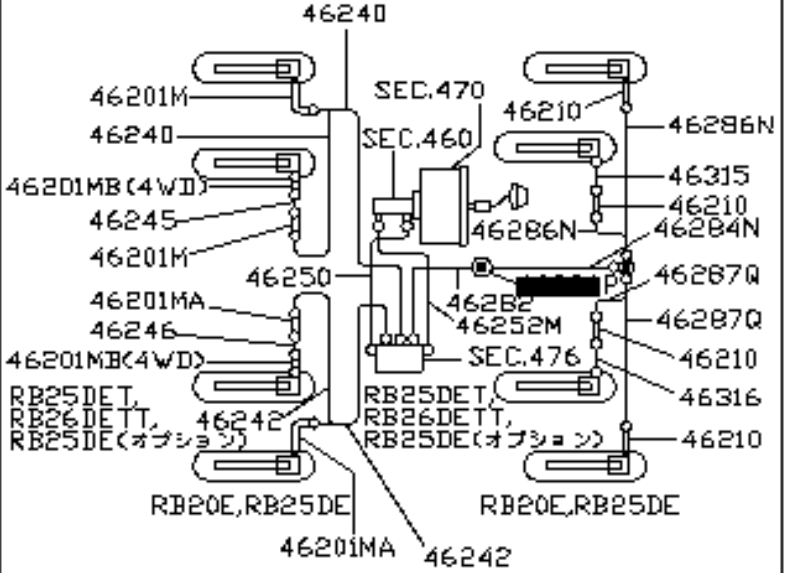
Nissan Skyline R33 - Brake Piping - Page 3

チューブ配管詳細図

ABS 非装着車



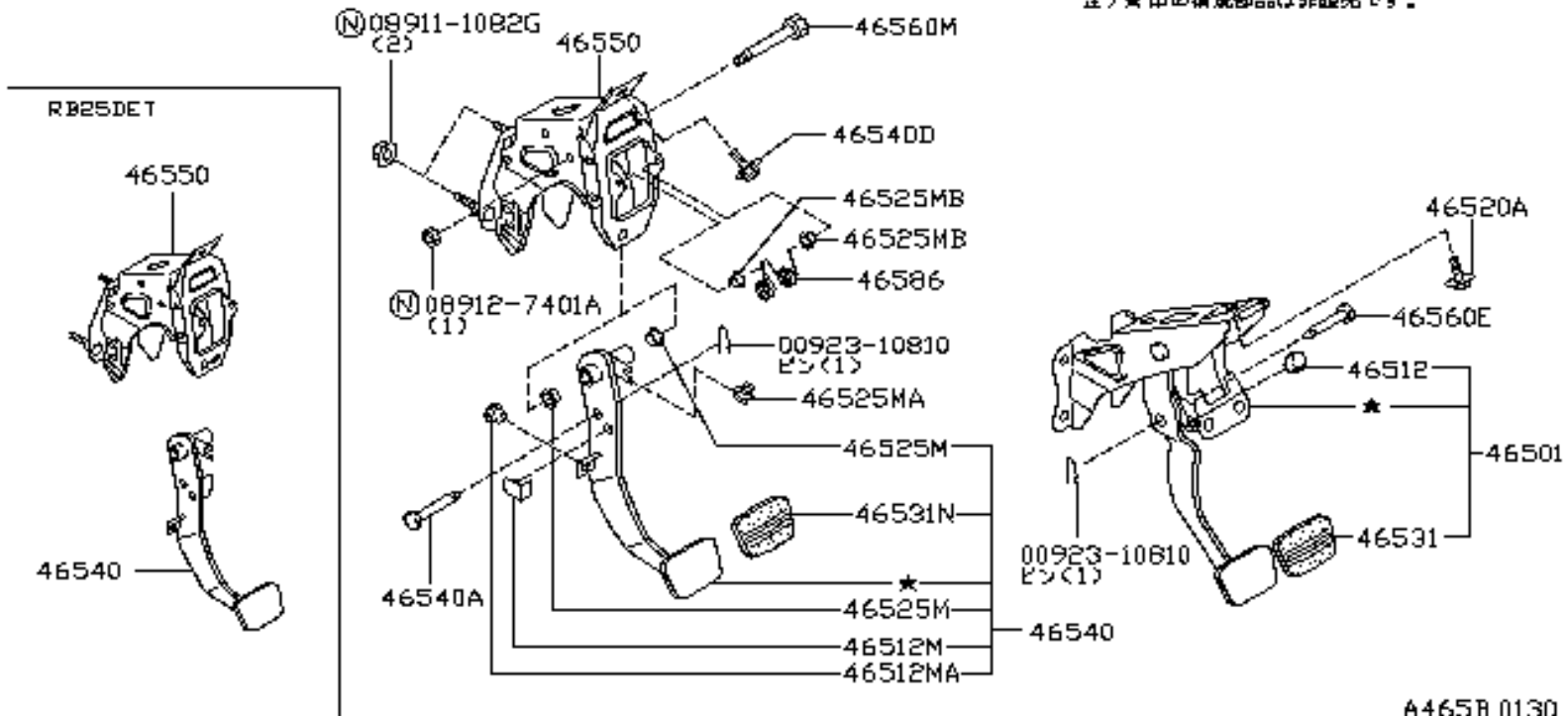
ABS 装着車



A462* 0152

[Back To Brakes](#)

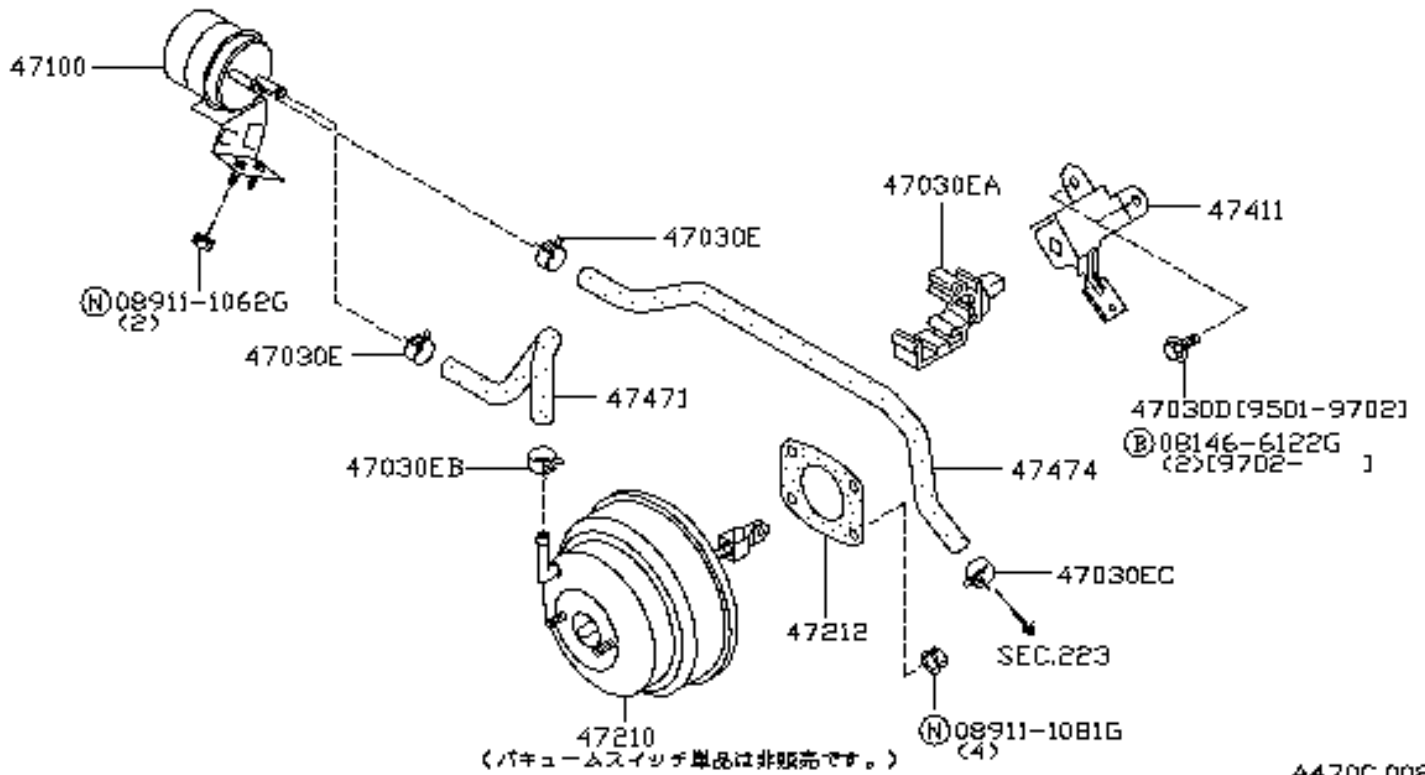
Nissan Skyline R33 - Brake & Clutch Pedal



A465B 0130

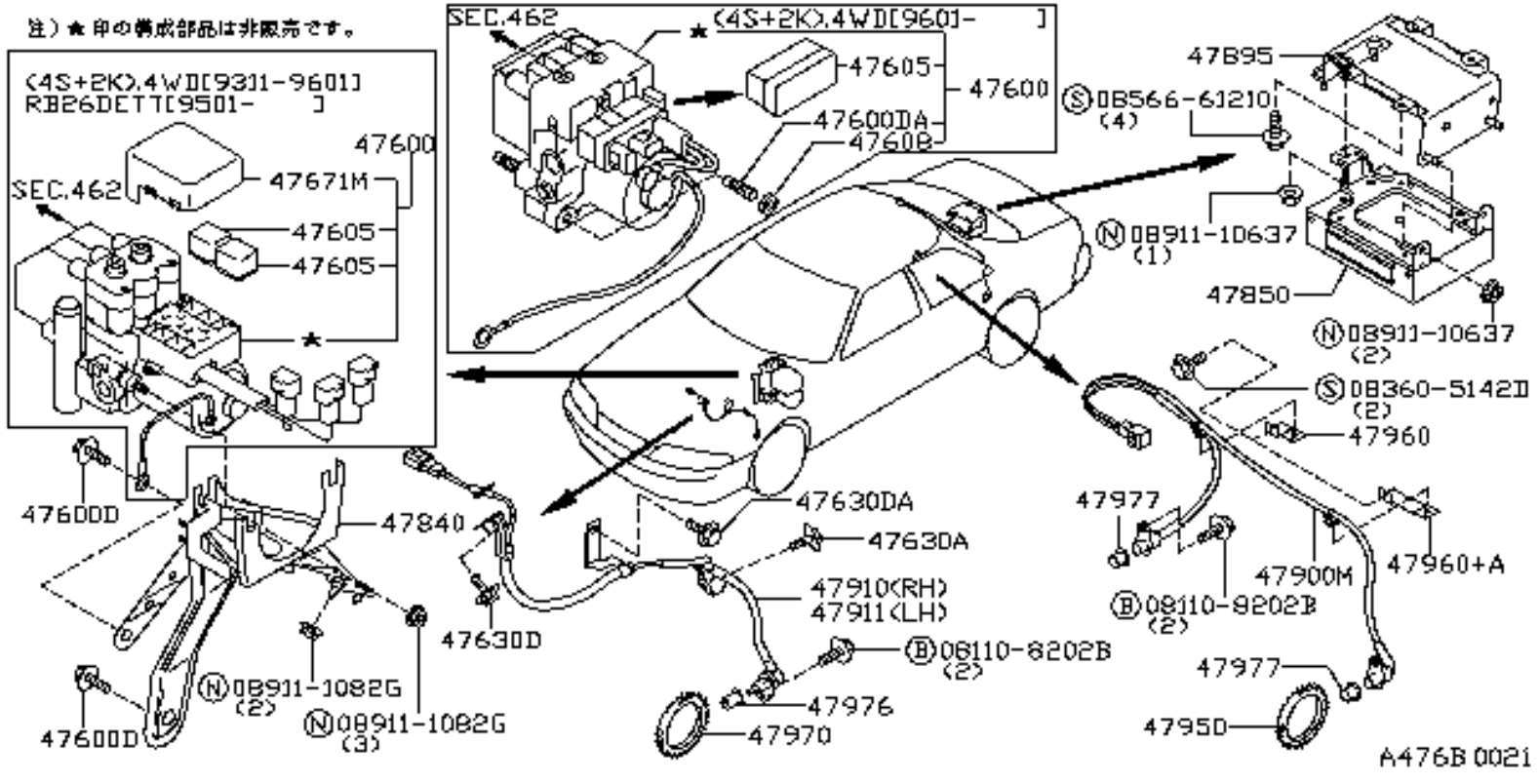
[Back To Brakes](#)

Nissan Skyline R33 - Brake Servo



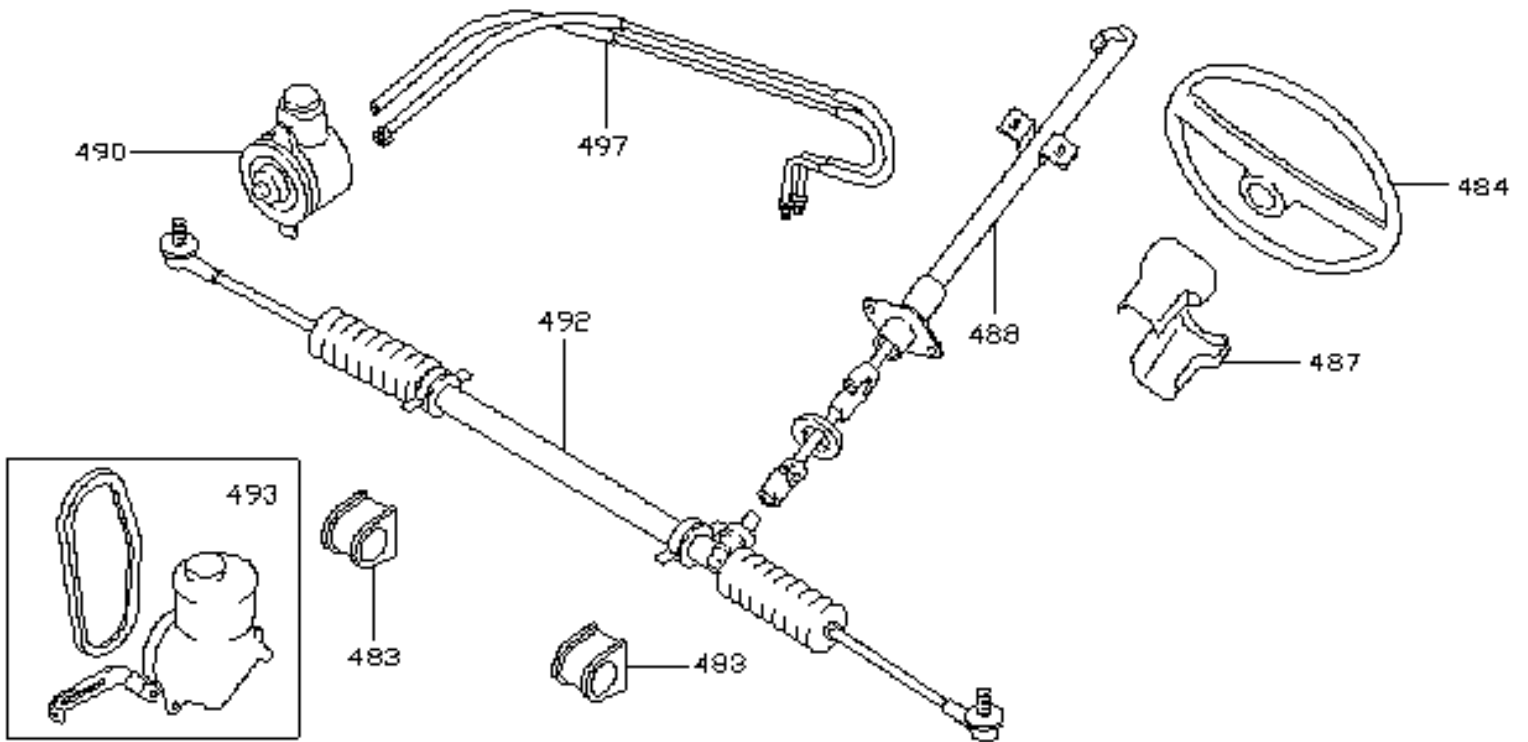
[Back To Brakes](#)

Nissan Skyline R33 - A.B.S



[Back To Brakes](#)

Nissan Skyline R33 - Steering



Z1000R34

Index

[Back To Main Menu](#)

483 - [Steering Rack Mountings](#)

484 - [Steering Wheel](#)

487 - [Steering Column Cover](#)

488 - [Steering Column](#)

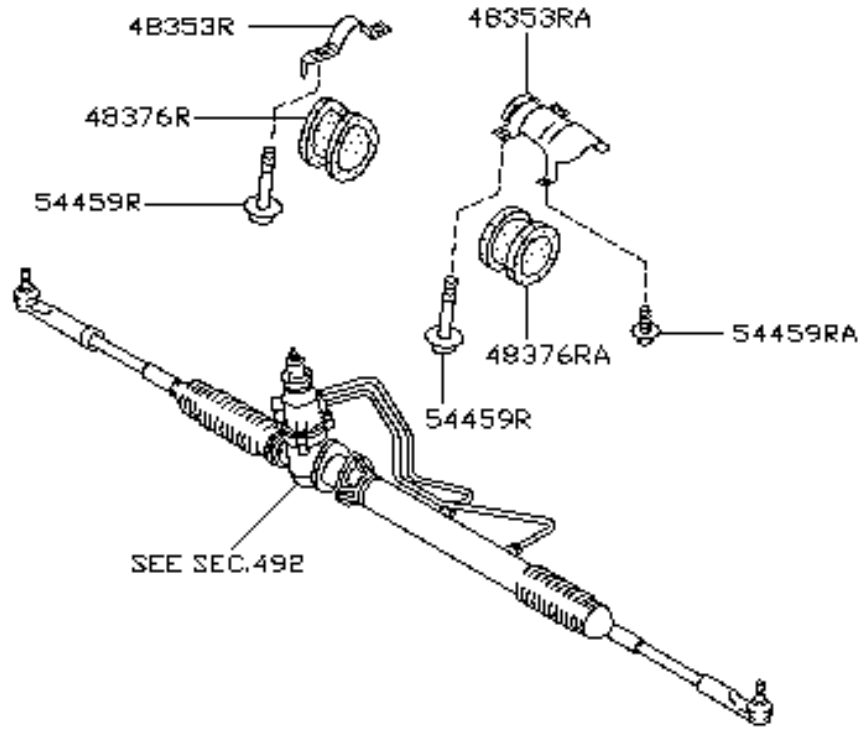
490 - [Power Steering Pump](#)

492 - [Power Steering Rack](#)

493 - [Power Steering Pump Mountings](#)

497 - [Power Steering Piping](#)

Nissan Skyline R33 - Steering Rack Mountings



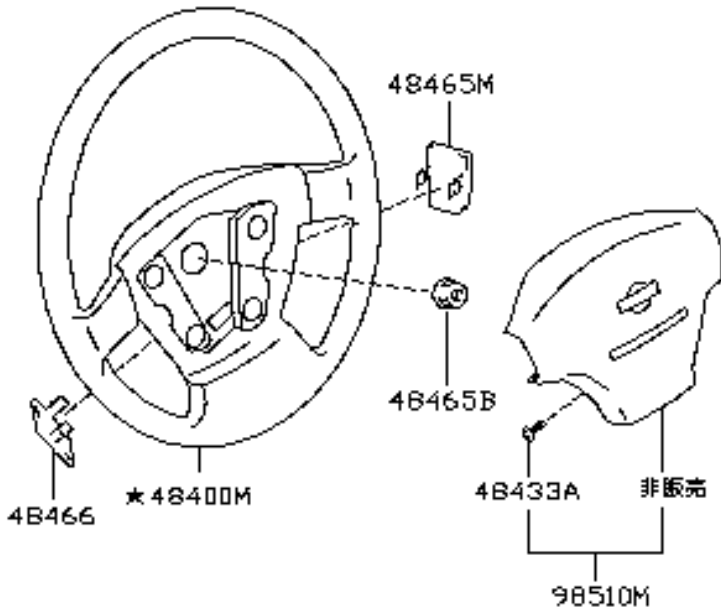
A483A 0038

[Back To Steering](#)

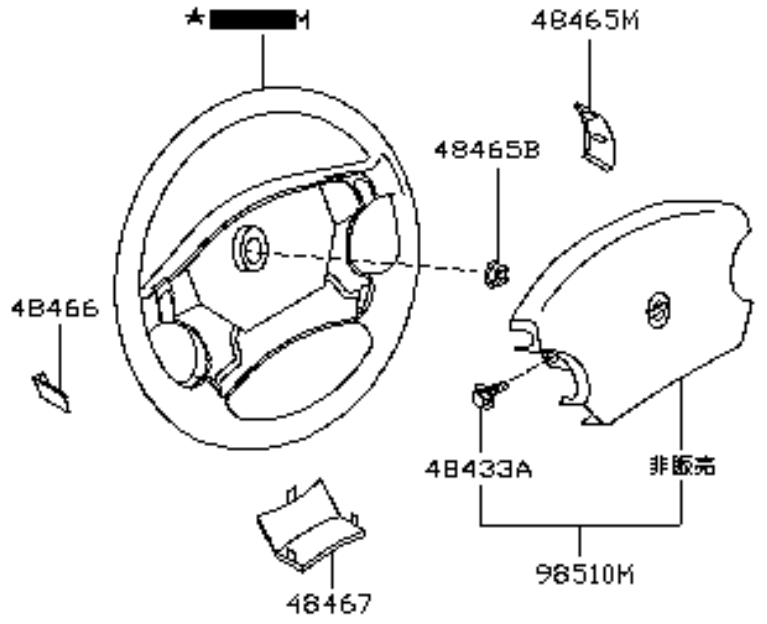
Nissan Skyline R33 - Steering Wheel

[9308-9501]

★印(48400M)の構成部品は非販売



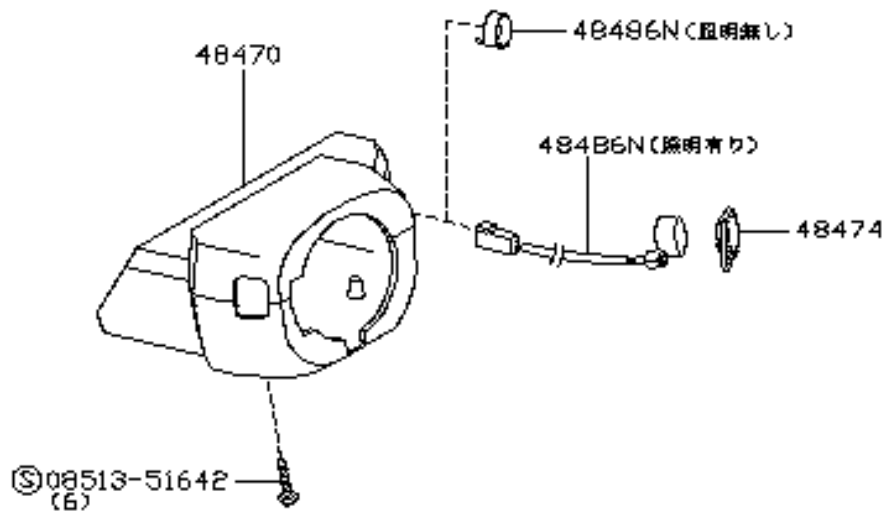
[9501-9601] 運転席エアバッグ全車標準装備
[9601-] 運転席助手席エアバッグ全車標準装備



A484* 0205

[Back To Steering](#)

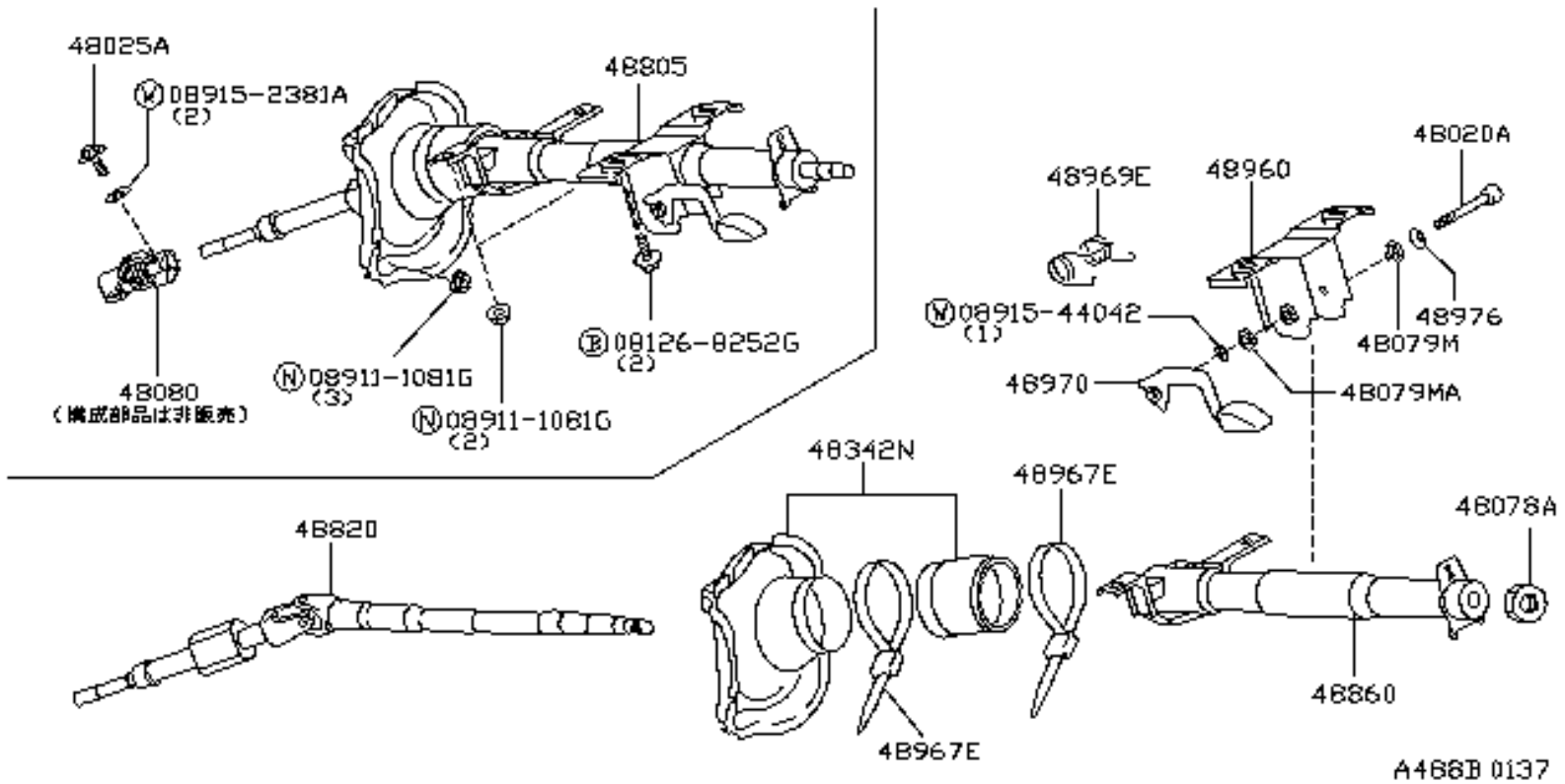
Nissan Skyline R33 - Steering Column Cover



A487*0147

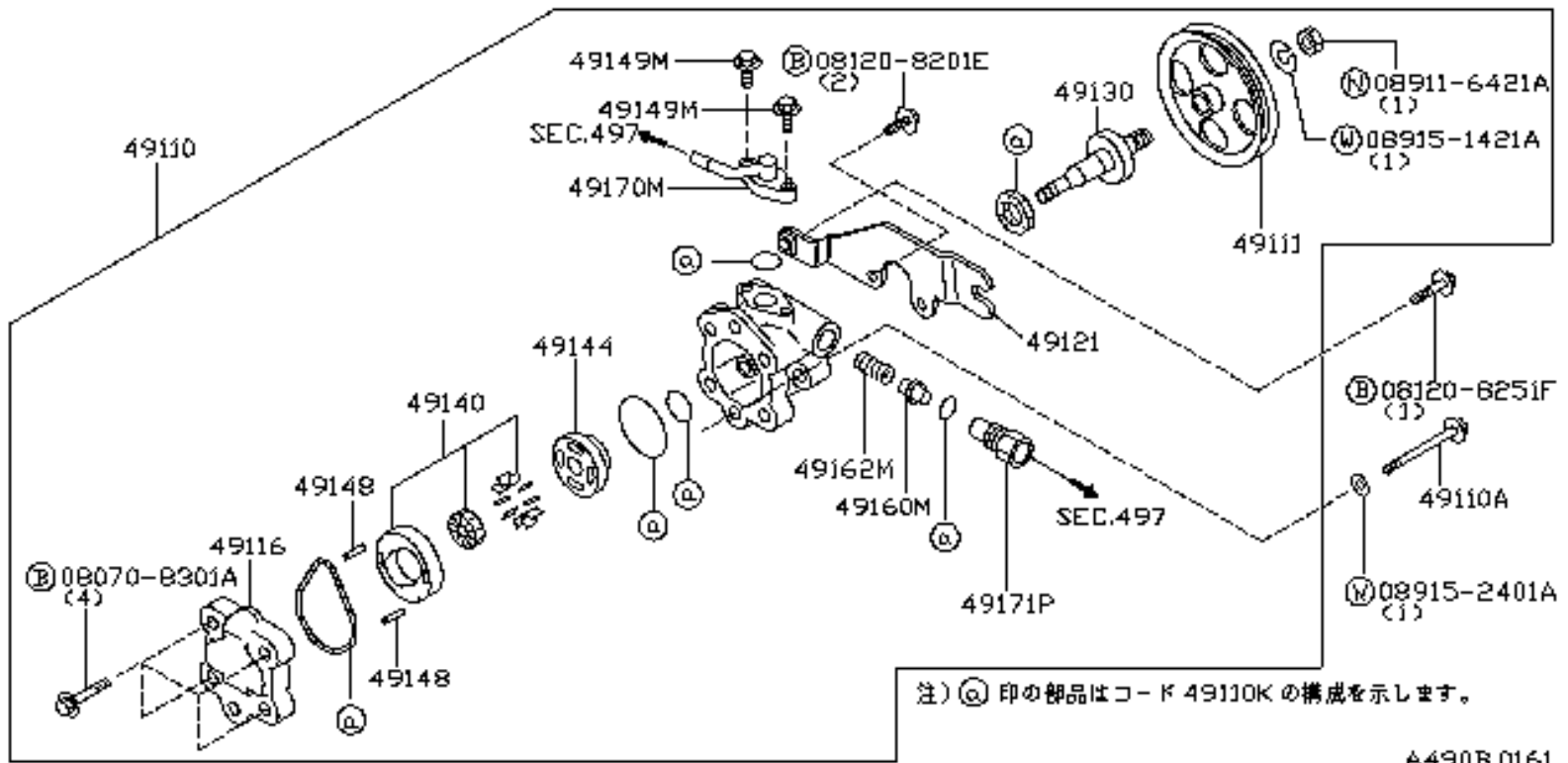
[Back To Steering](#)

Nissan Skyline R33 - Steering Column



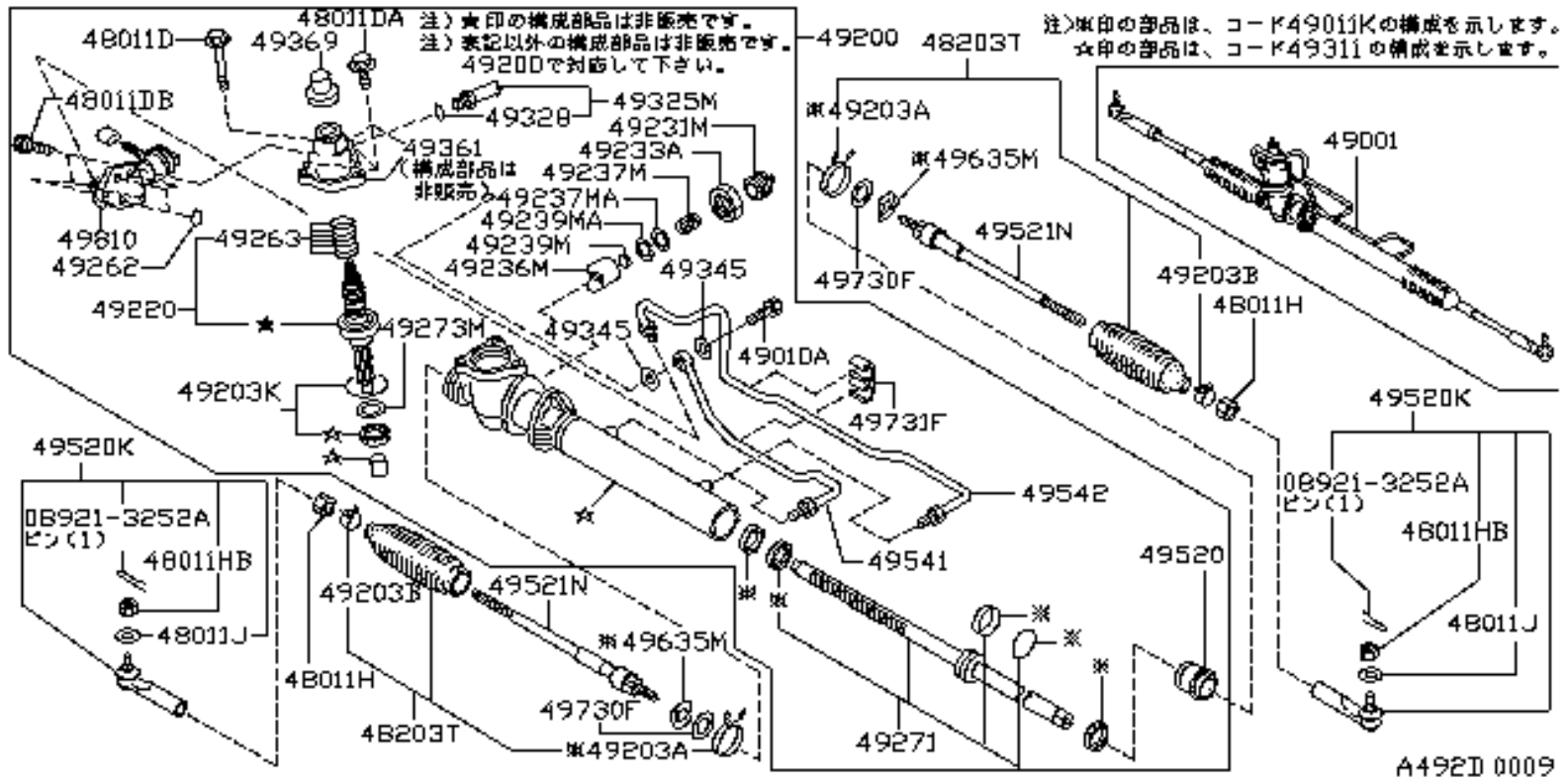
[Back To Steering](#)

Nissan Skyline R33 - Power Steering Pump



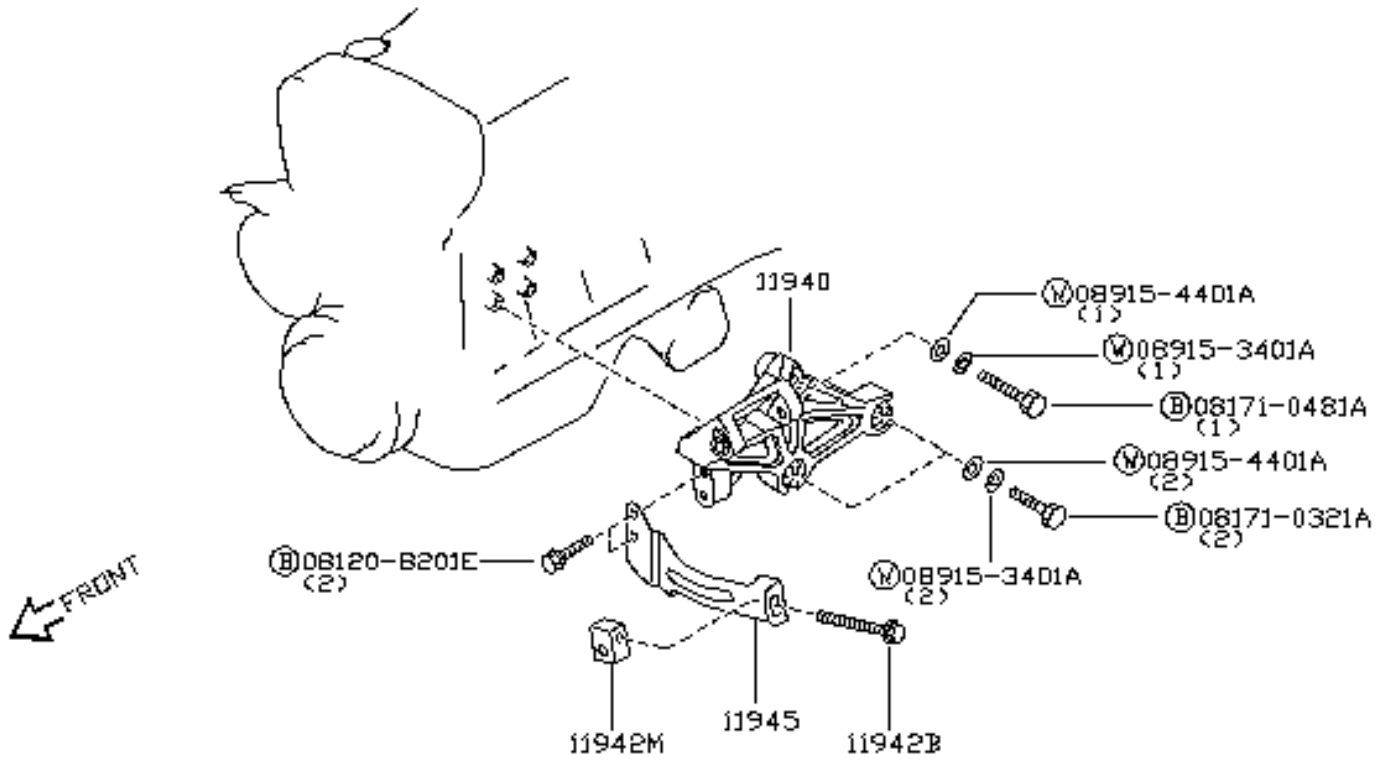
[Back To Steering](#)

Nissan Skyline R33 - Power Steering Rack



[Back To Steering](#)

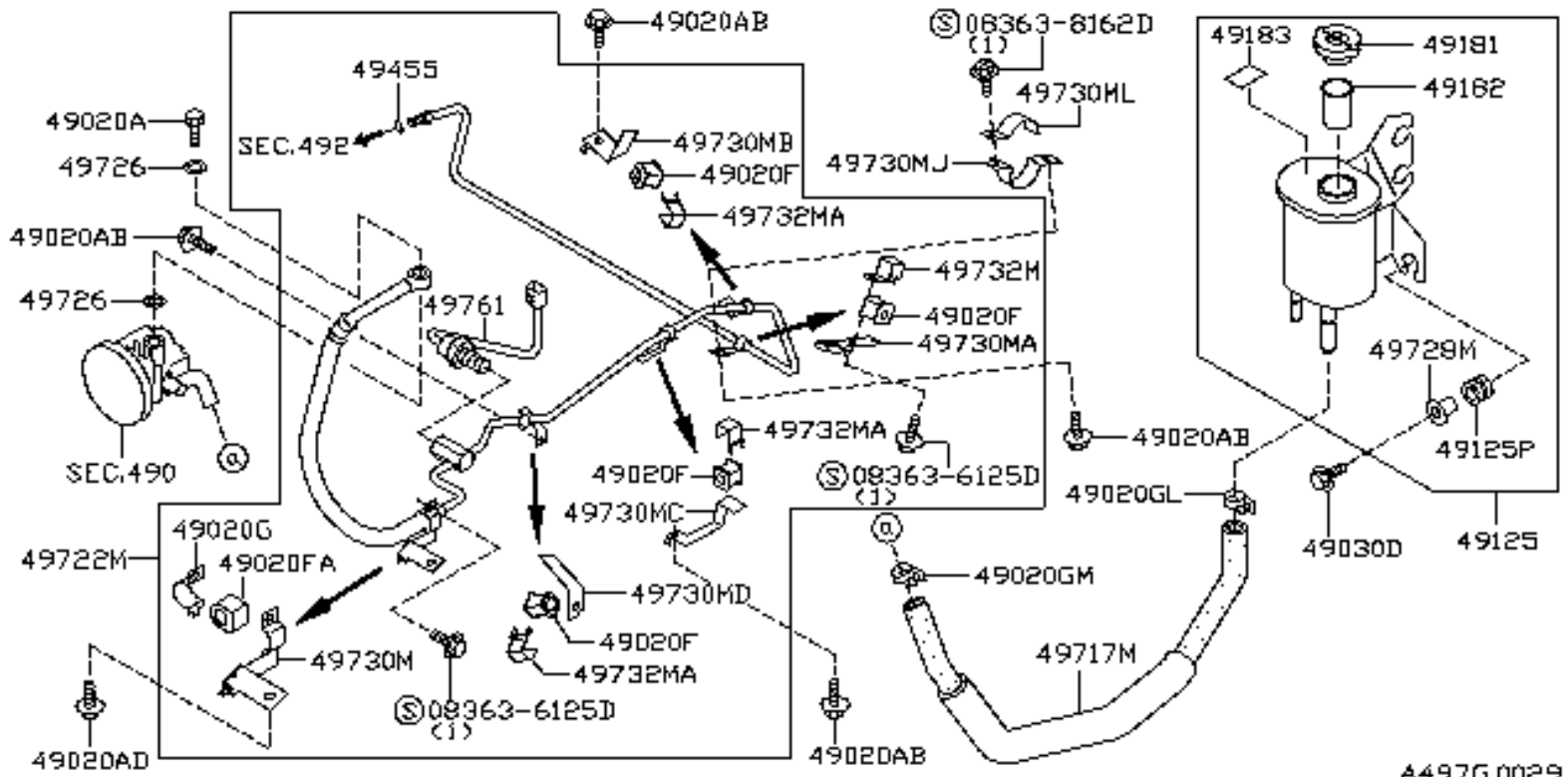
Nissan Skyline R33 - Power Steering Pump Mountings



A4937 0053

[Back To Steering](#)

Nissan Skyline R33 - Power Steering Piping

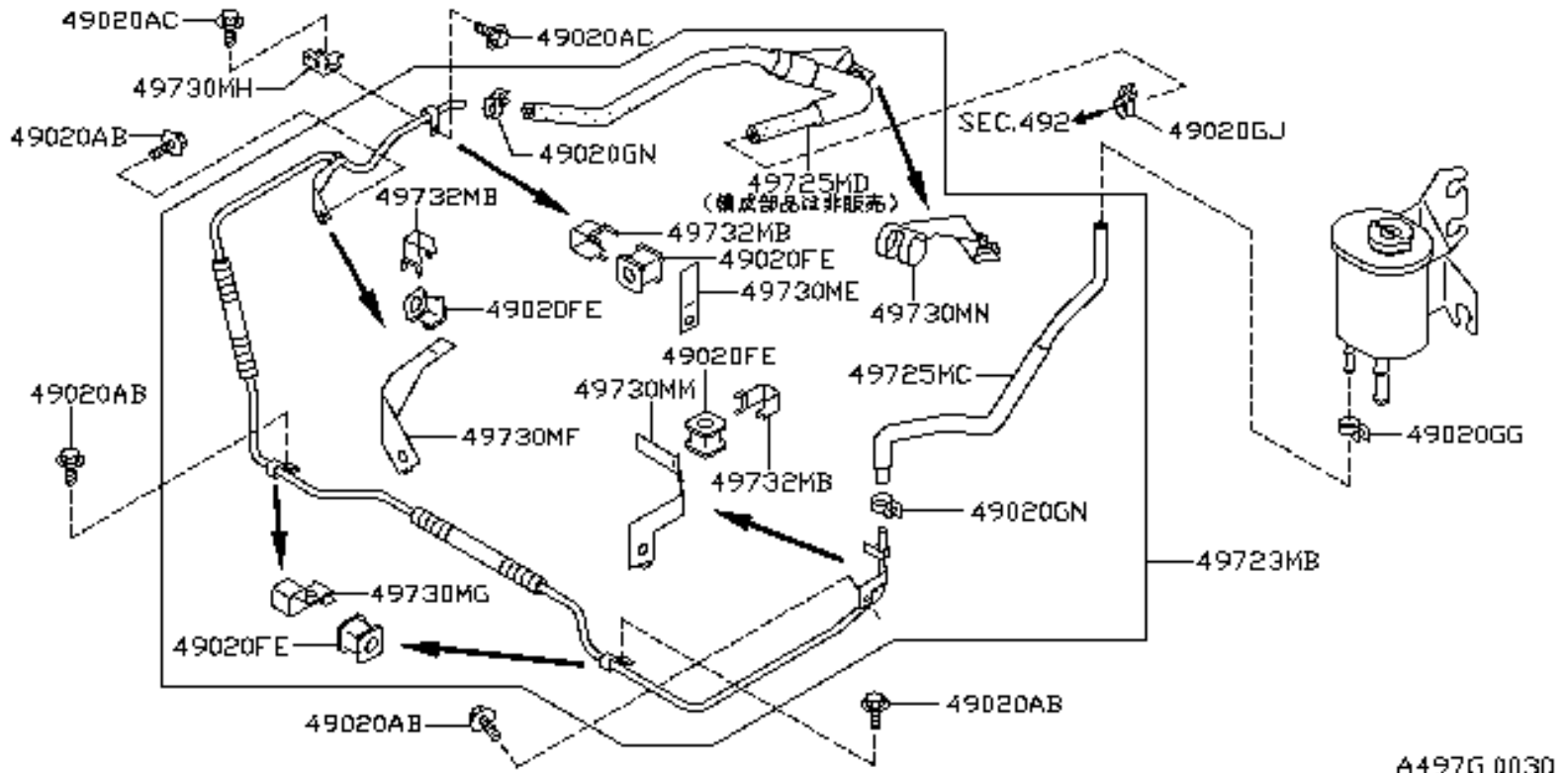


A497G 0029

[Page 2](#)

[Back To Steering](#)

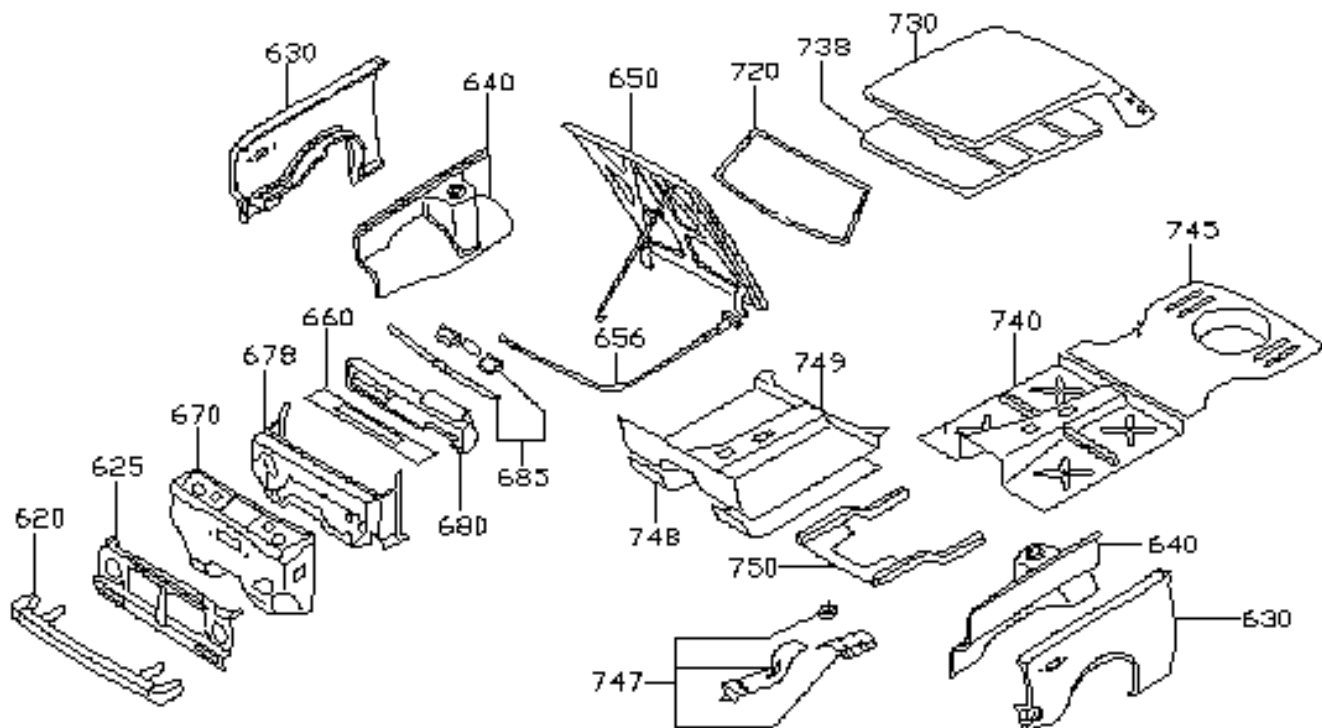
Nissan Skyline R33 - Power Steering Piping - Page 2



A497G 0030

[Back To Steering](#)

Nissan Skyline R33 - Body Front



ZJ000R34

Index

[Back To Main Menu](#)

620 - [Front Bumper](#)

625 - [Front Panel](#)

630 - [Front Wing](#)

640 - [Inner Wing](#)

650 - [Bonnet](#)

656 - [Bonnet Lock](#)

660 - [Cowl](#)

670 - [Dash Panel](#)

678 - [Dash Trimming](#)

680 - [Instrument Panel](#)

685 - [Dash Vents](#)

720 - [Wind Screen](#)

730 - [Roof Panel](#)

738 - [Roof Trimming](#)

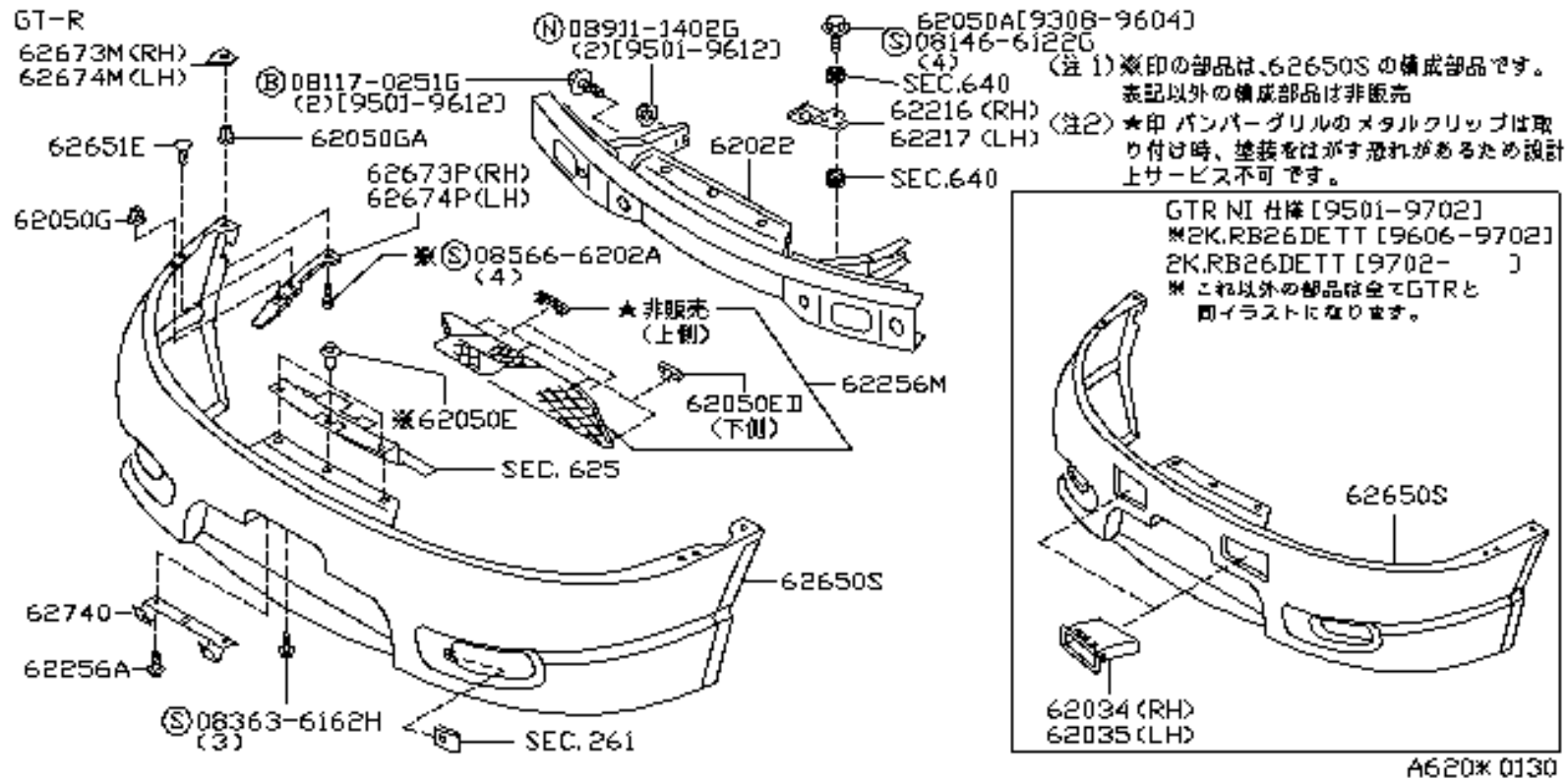
740 - [Floor Panel](#)

747 - [Floor Fittings](#)

749 - [Floor Fittings](#)

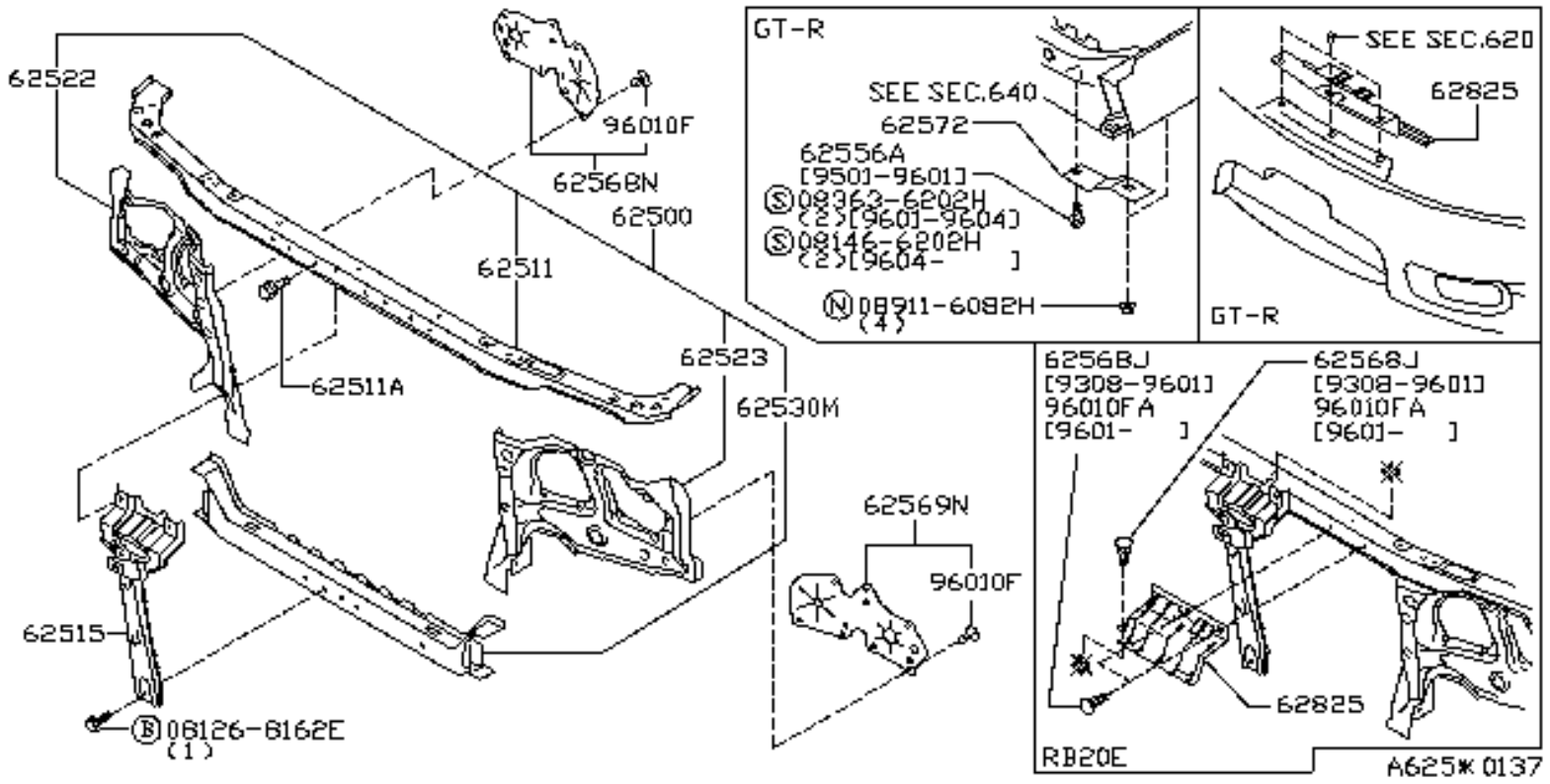
750 - [Members](#)

Nissan Skyline R33 - Front Bumper



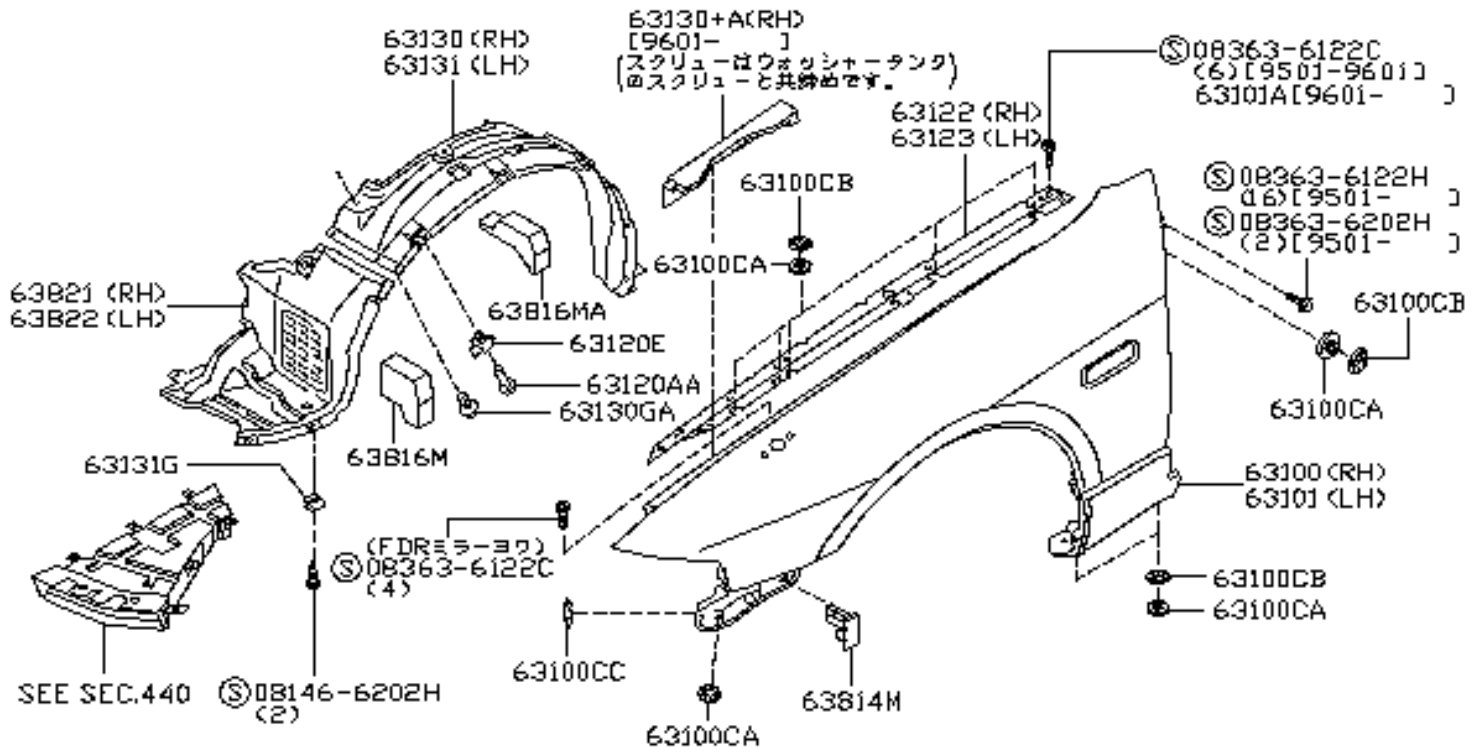
[Back To Body Front](#)

Nissan Skyline R33 - Front Panel



[Back To Body Front](#)

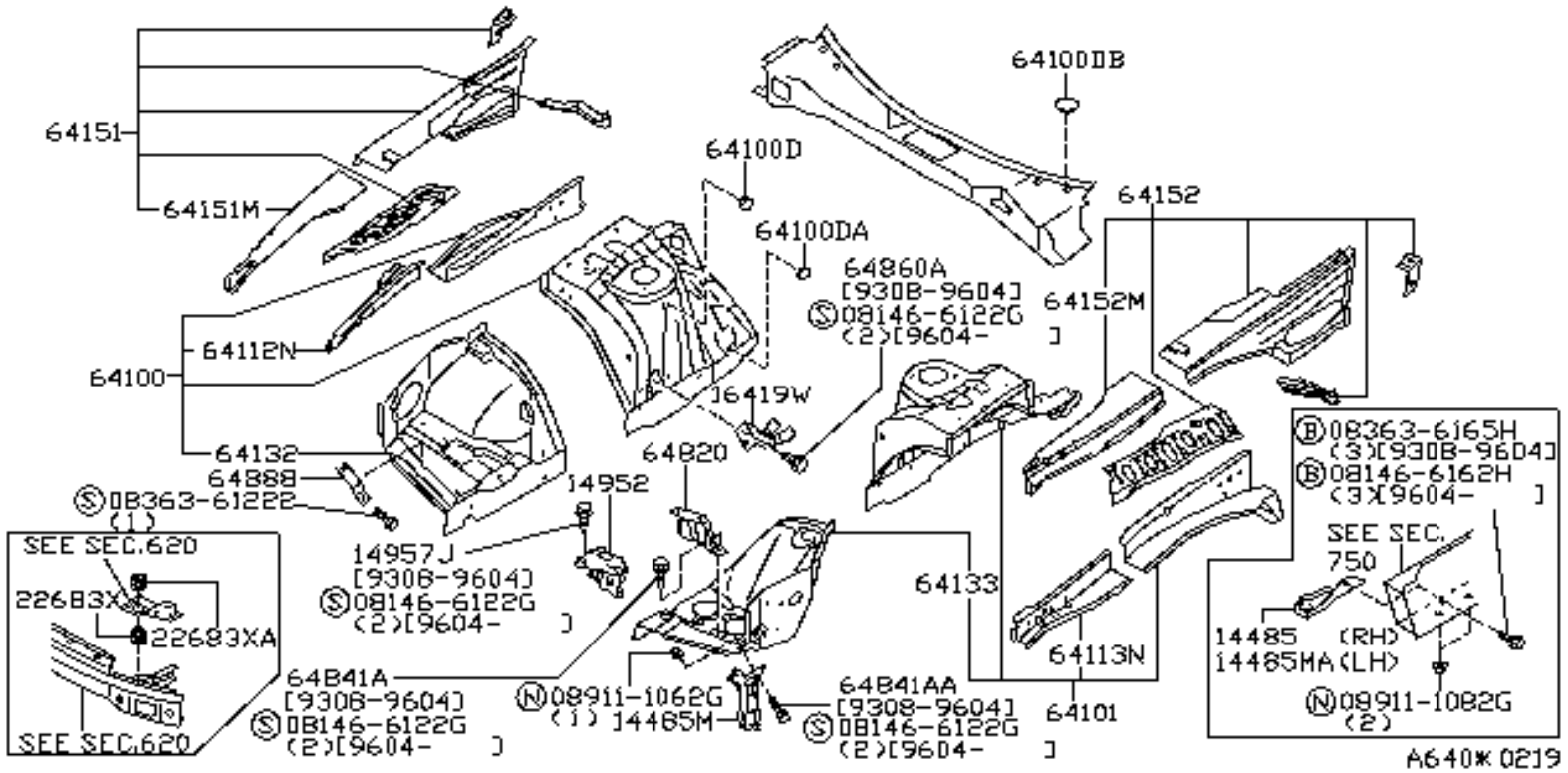
Nissan Skyline R33 - Front Wing



A630*0184

[Back To Body Front](#)

Nissan Skyline R33 - Inner Wing

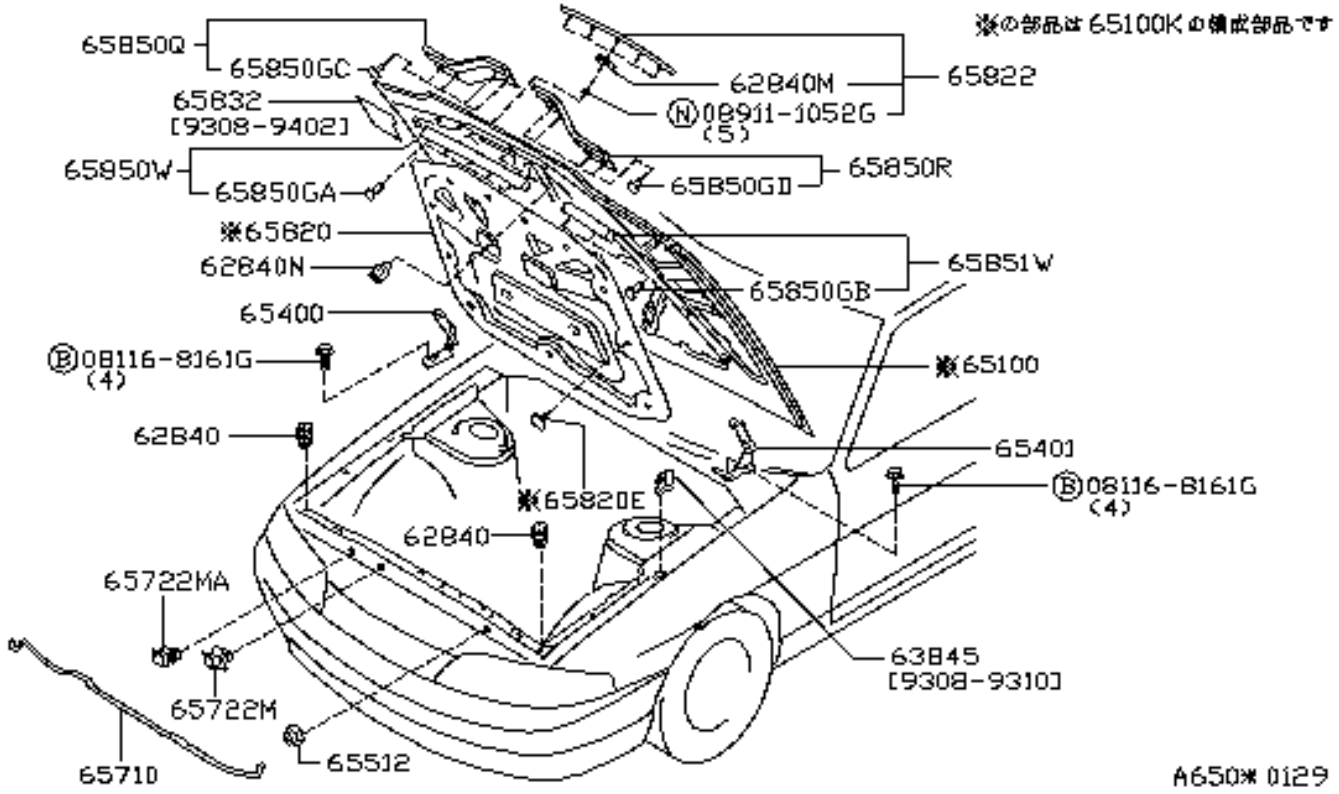


[Back To Body Front](#)

Nissan Skyline R33 - Bonnet

車体修理は、修理前の状態に復元することが基本の旨、必ず下記純正部品を使用し防錆品質を維持して下さい。

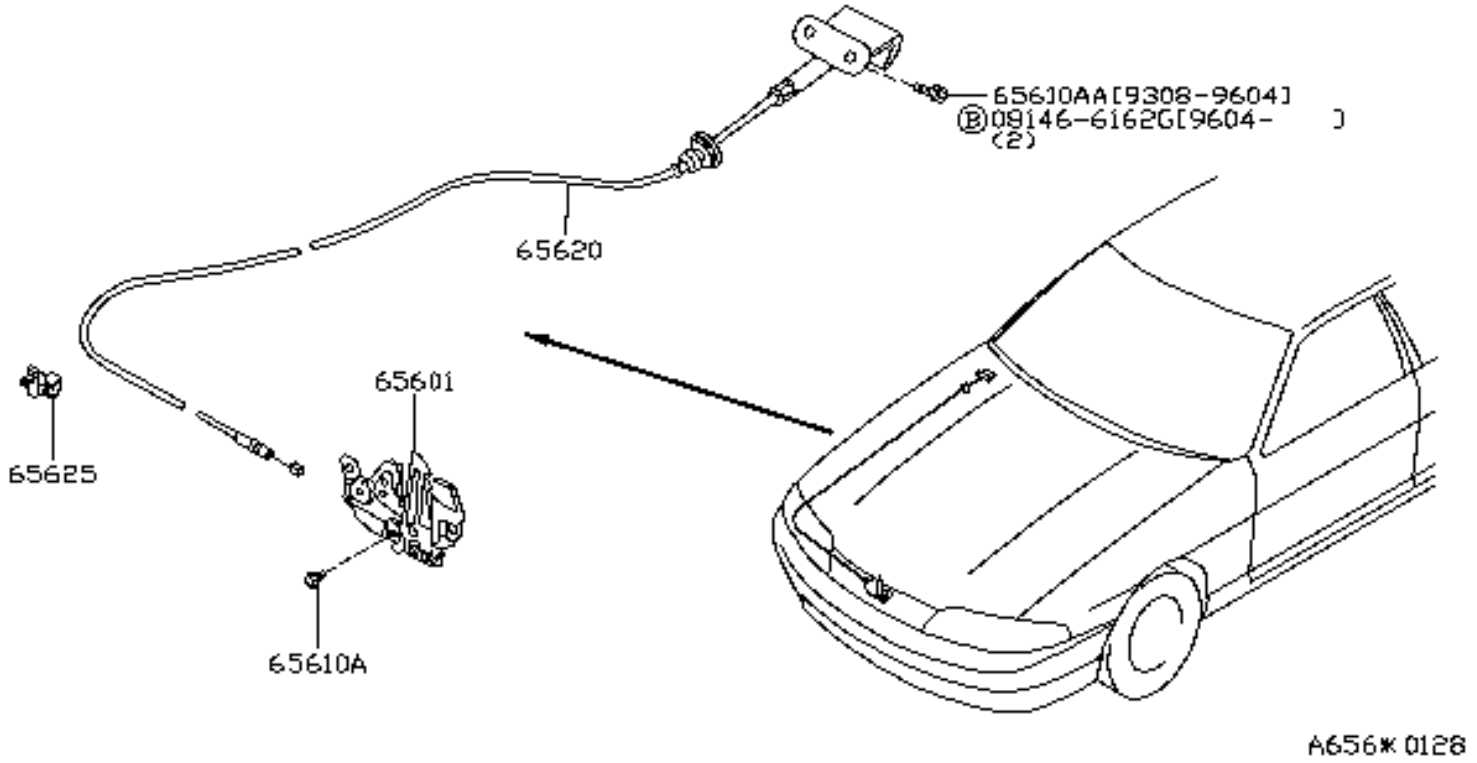
65100Y 65100Z



A650* 0129

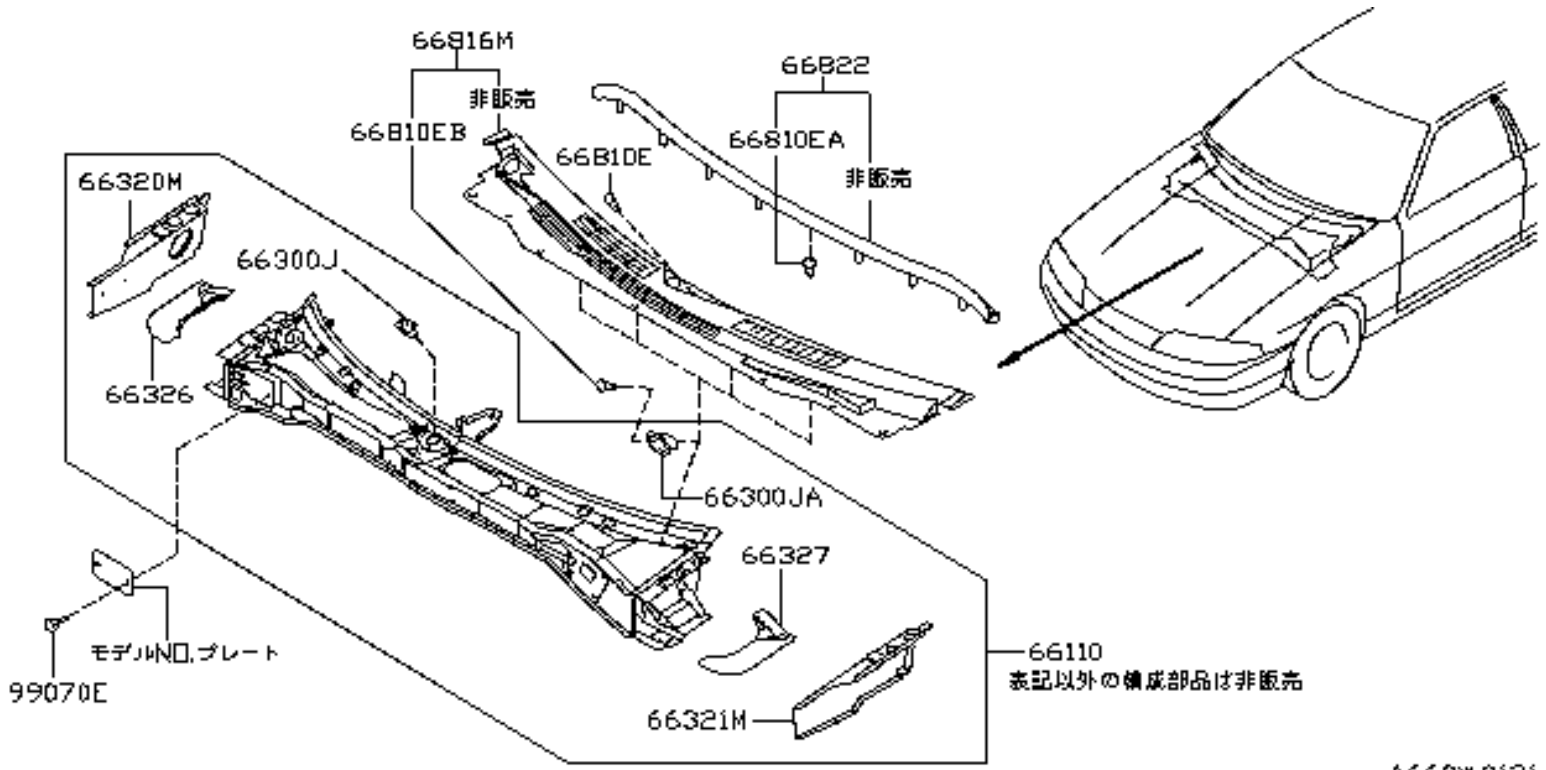
[Back To Body Front](#)

Nissan Skyline R33 - Bonnet Lock



[Back To Body Front](#)

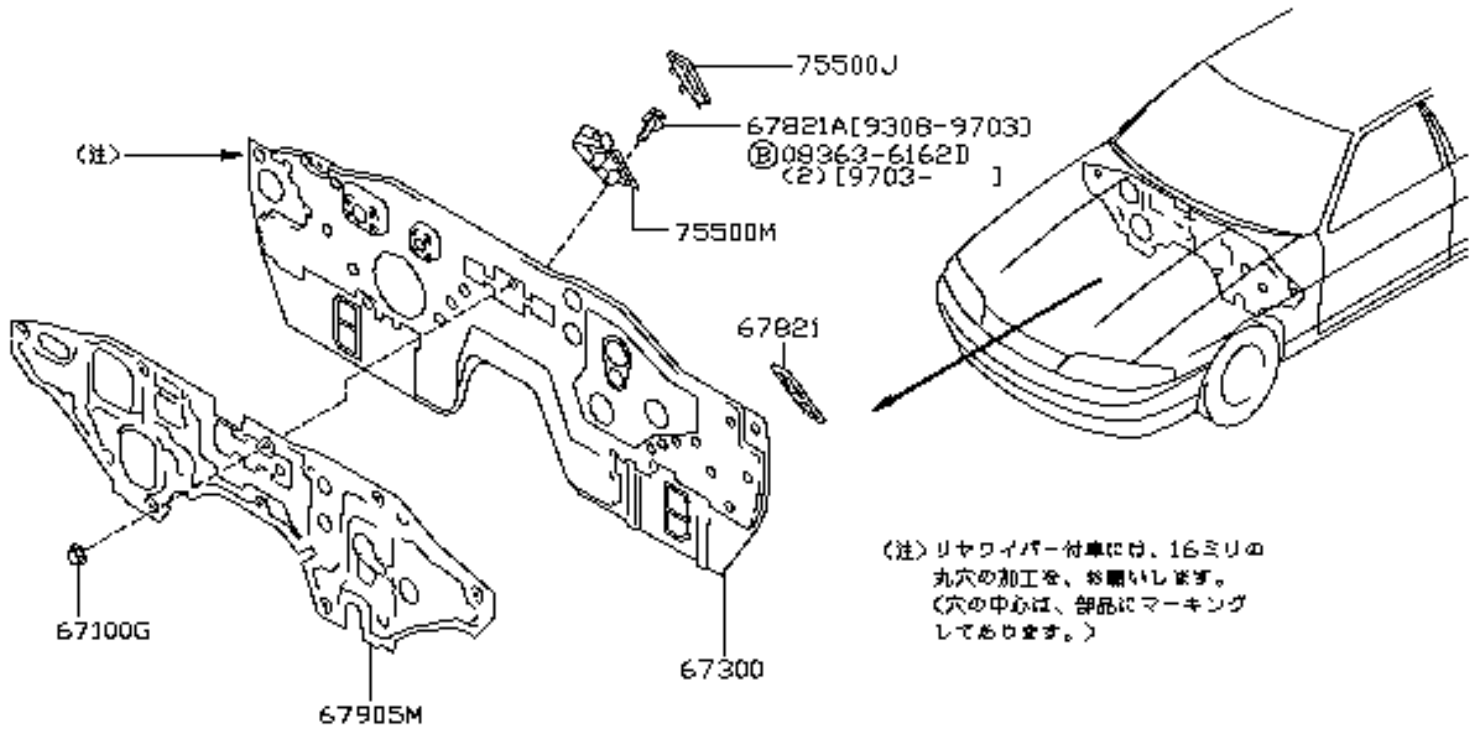
Nissan Skyline R33 - Cowl



A660* 0131

[Back To Body Front](#)

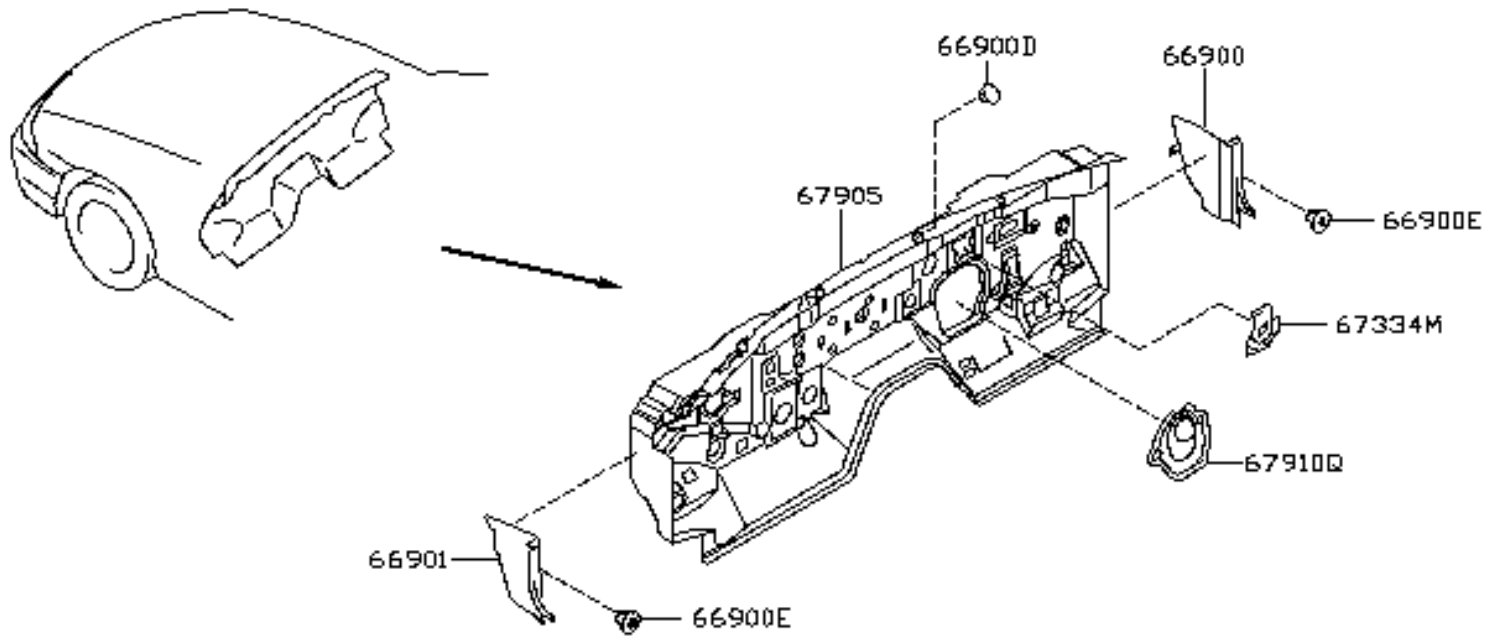
Nissan Skyline R33 - Dash Panel



A670*0133

[Back To Body Front](#)

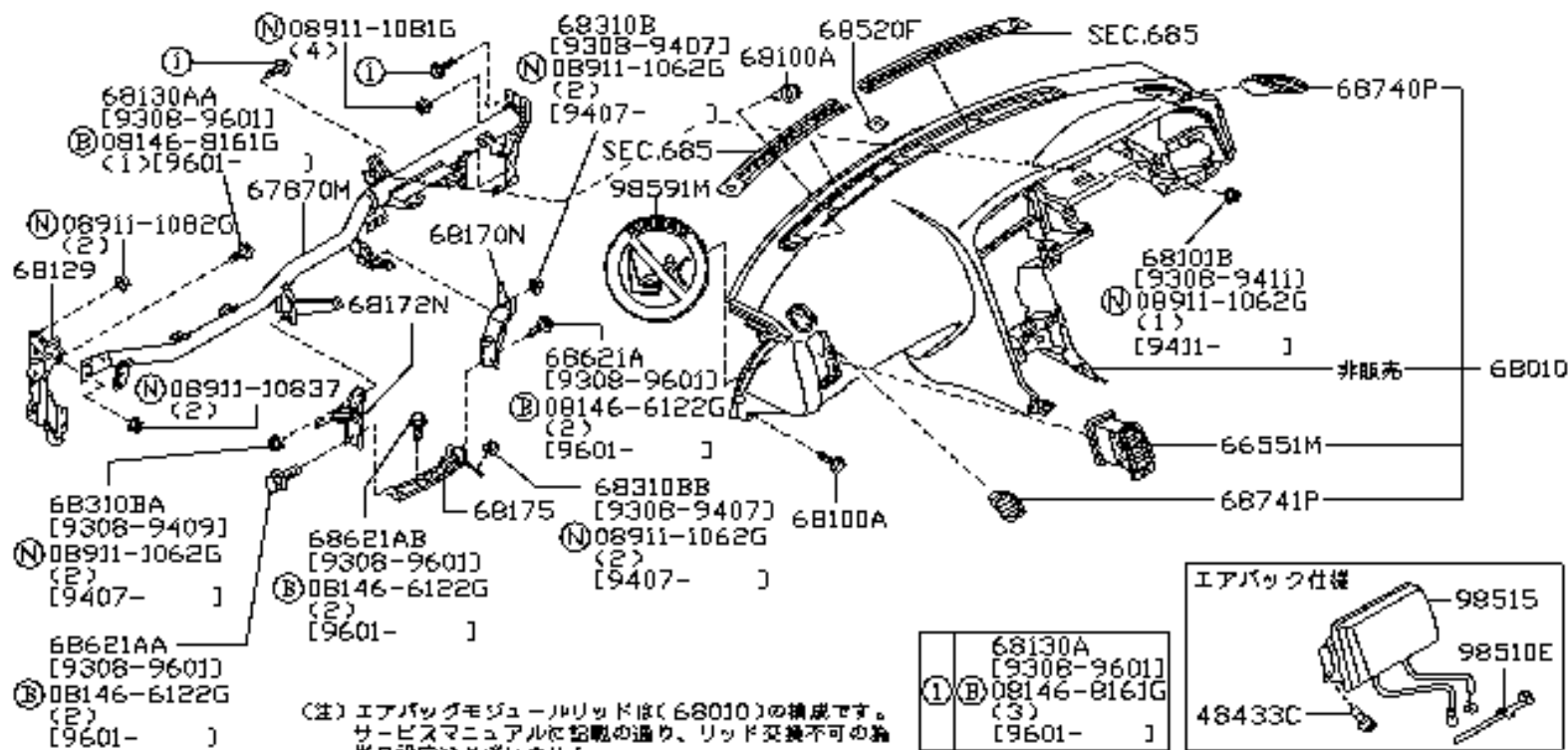
Nissan Skyline R33 - Dash Trimming



A678* 0127

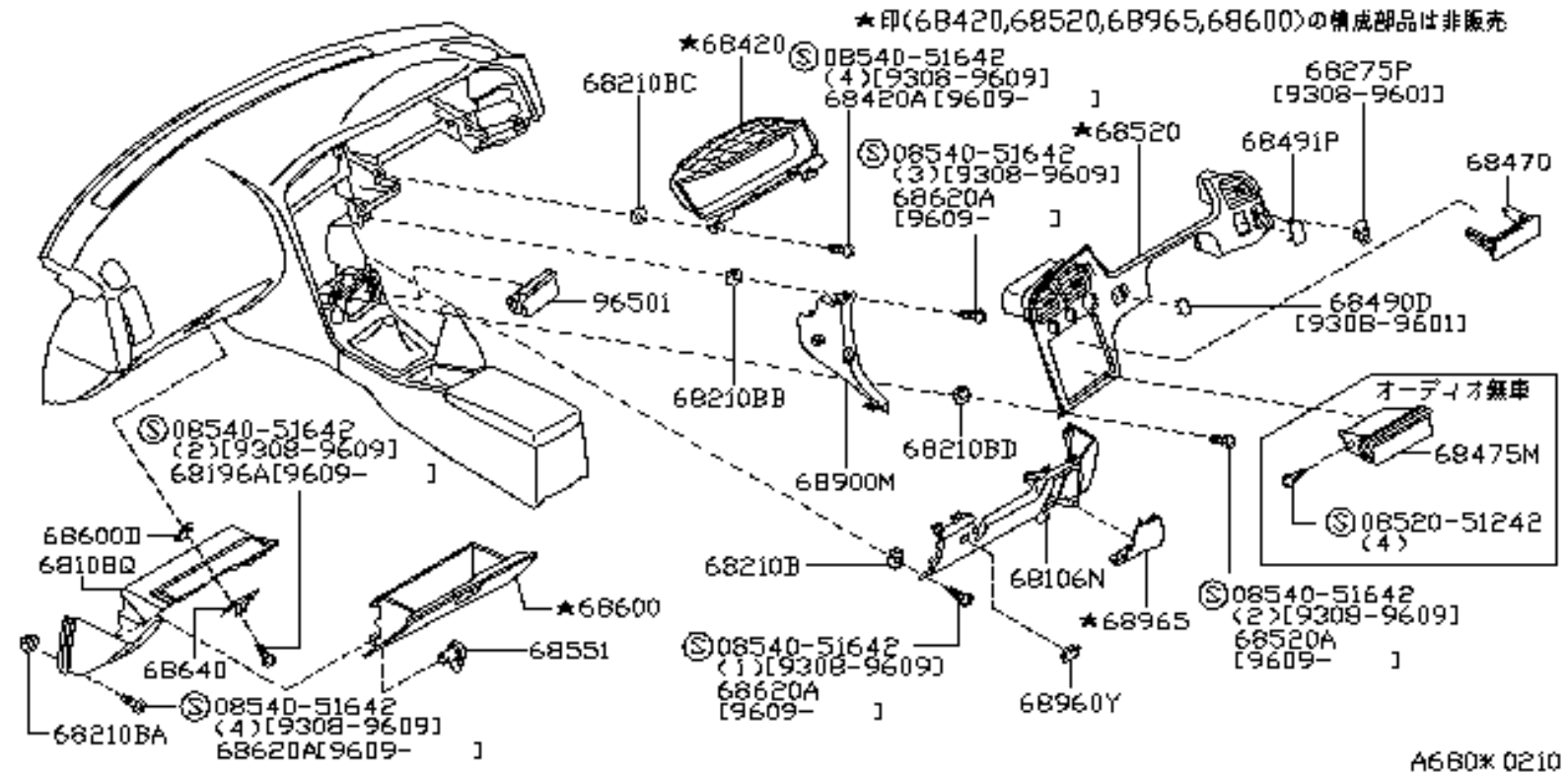
[Back To Body Front](#)

Nissan Skyline R33 - Instrument Panel



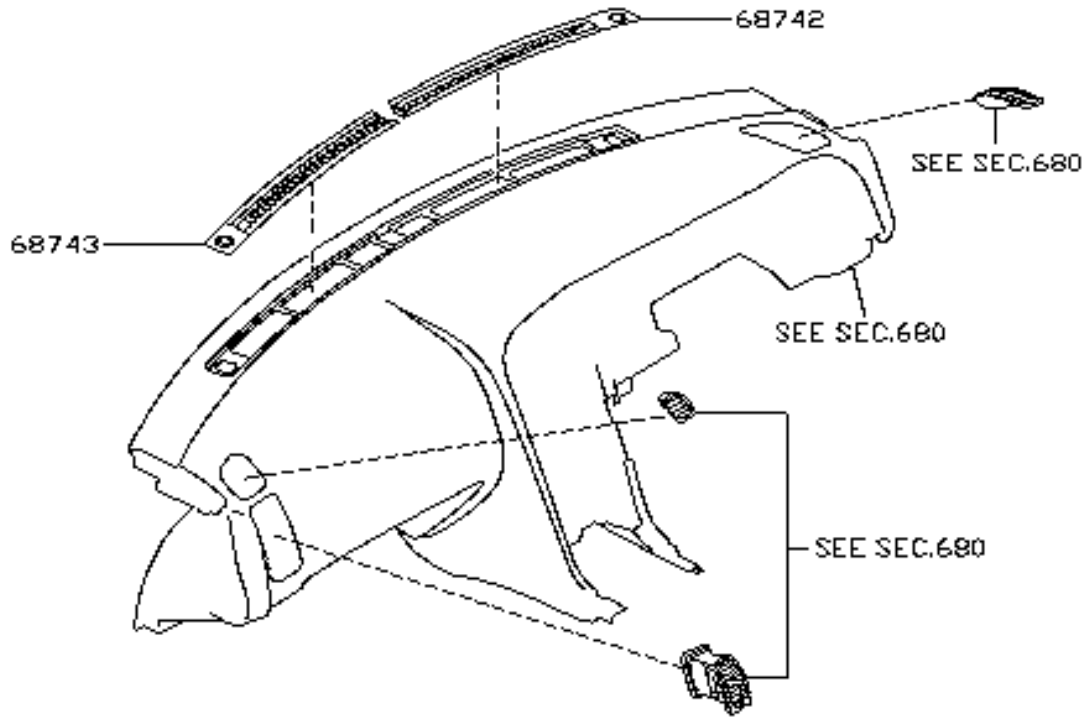
A680* 0209

Nissan Skyline R33 - Instrument Panel - Page 2



[Back To Body Front](#)

Nissan Skyline R33 - Dash Vents



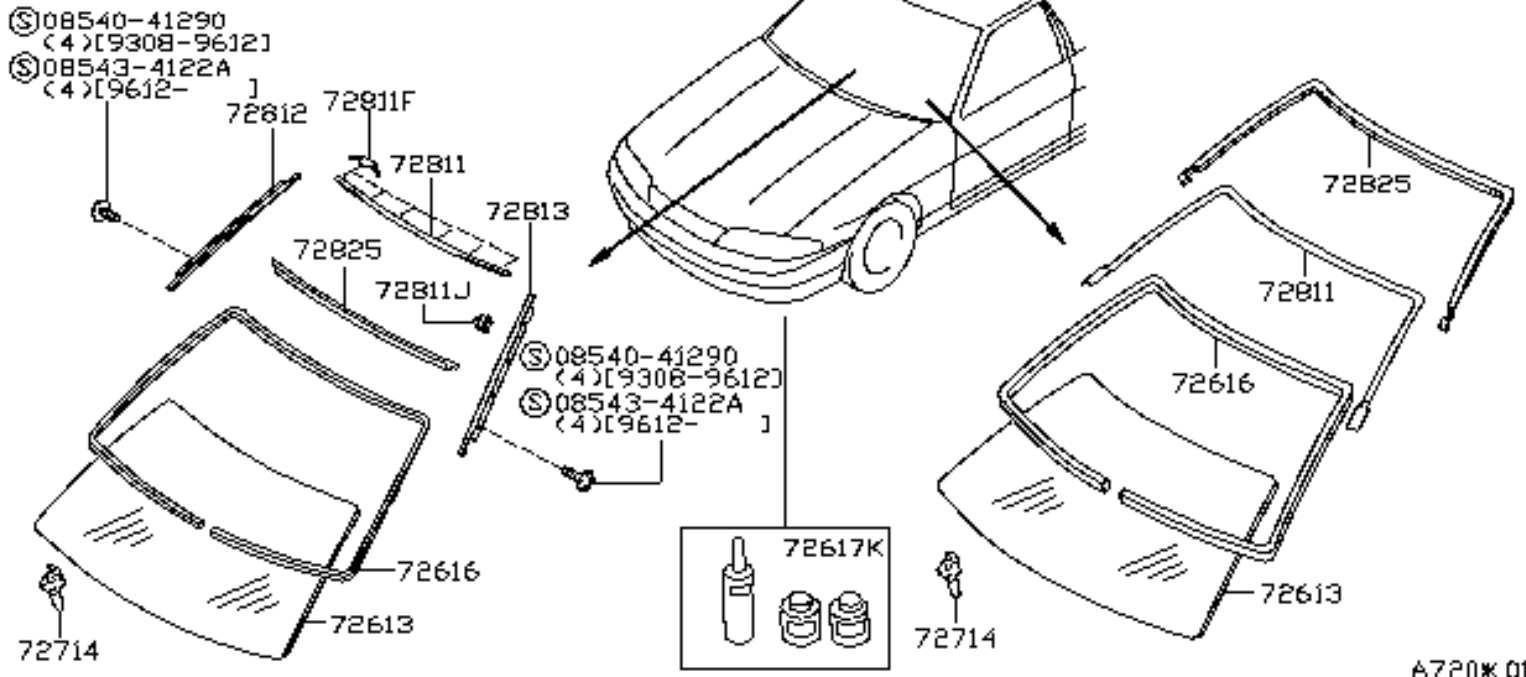
A685* 0136

[Back To Body Front](#)

Nissan Skyline R33 - Wind Screen

4S

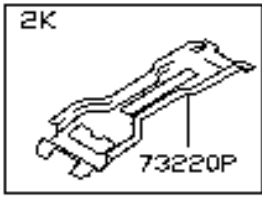
2K



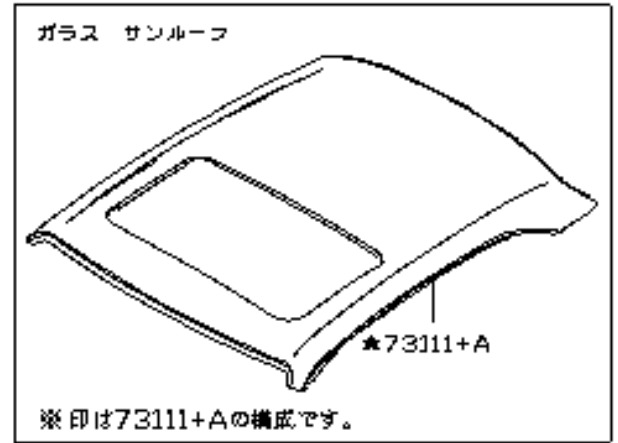
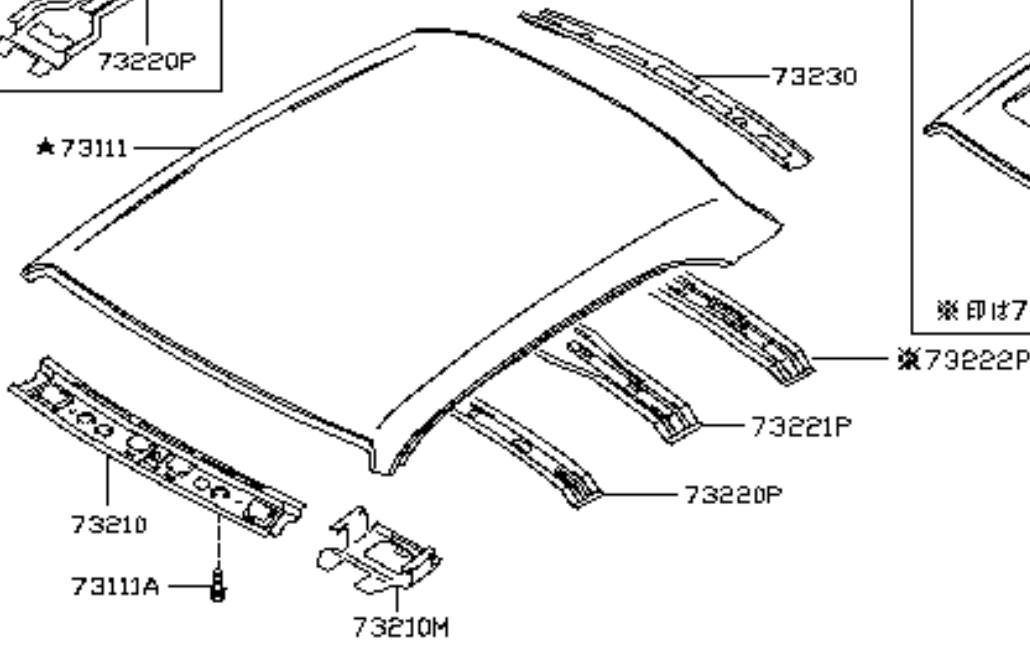
A720*0149

[Back To Body Front](#)

Nissan Skyline R33 - Roof Panel



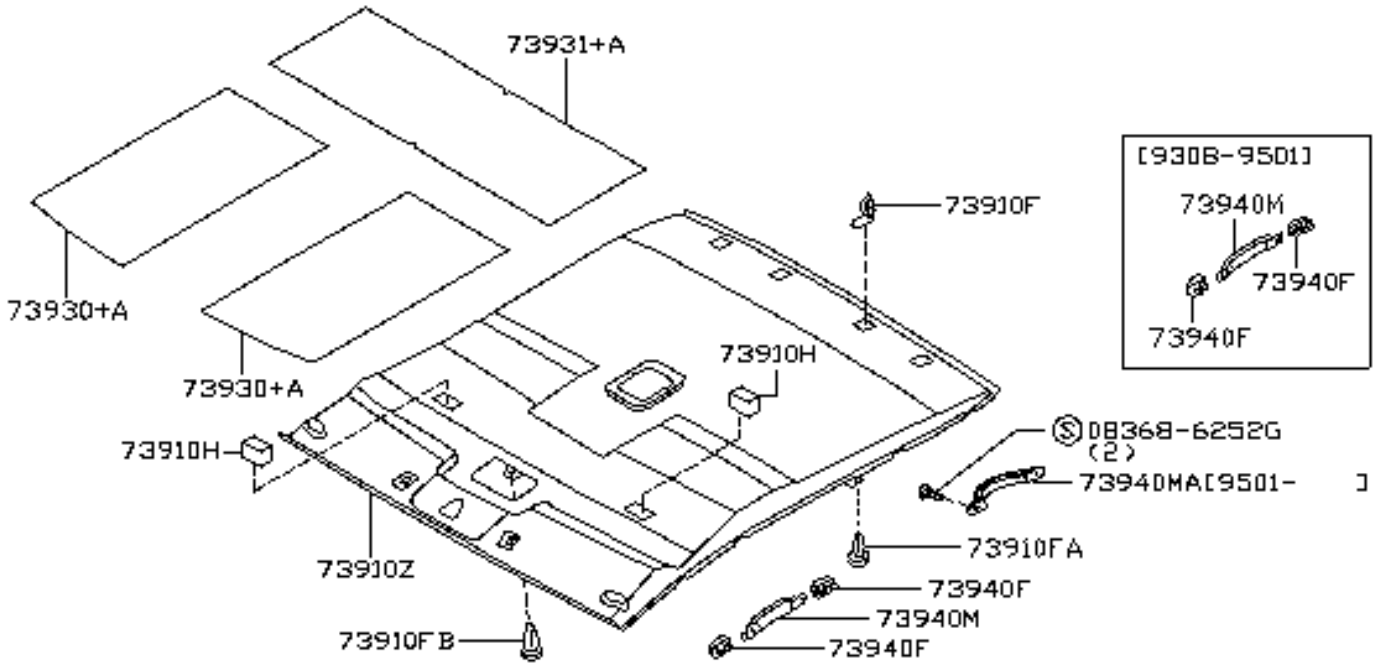
★印(73111,73111+A)の構成部品は表記以外非販売
単品供給以外の部品については、アッセンブリーで
お求め下さい。



A730* 0136

[Back To Body Front](#)

Nissan Skyline R33 - Roof Trimmings

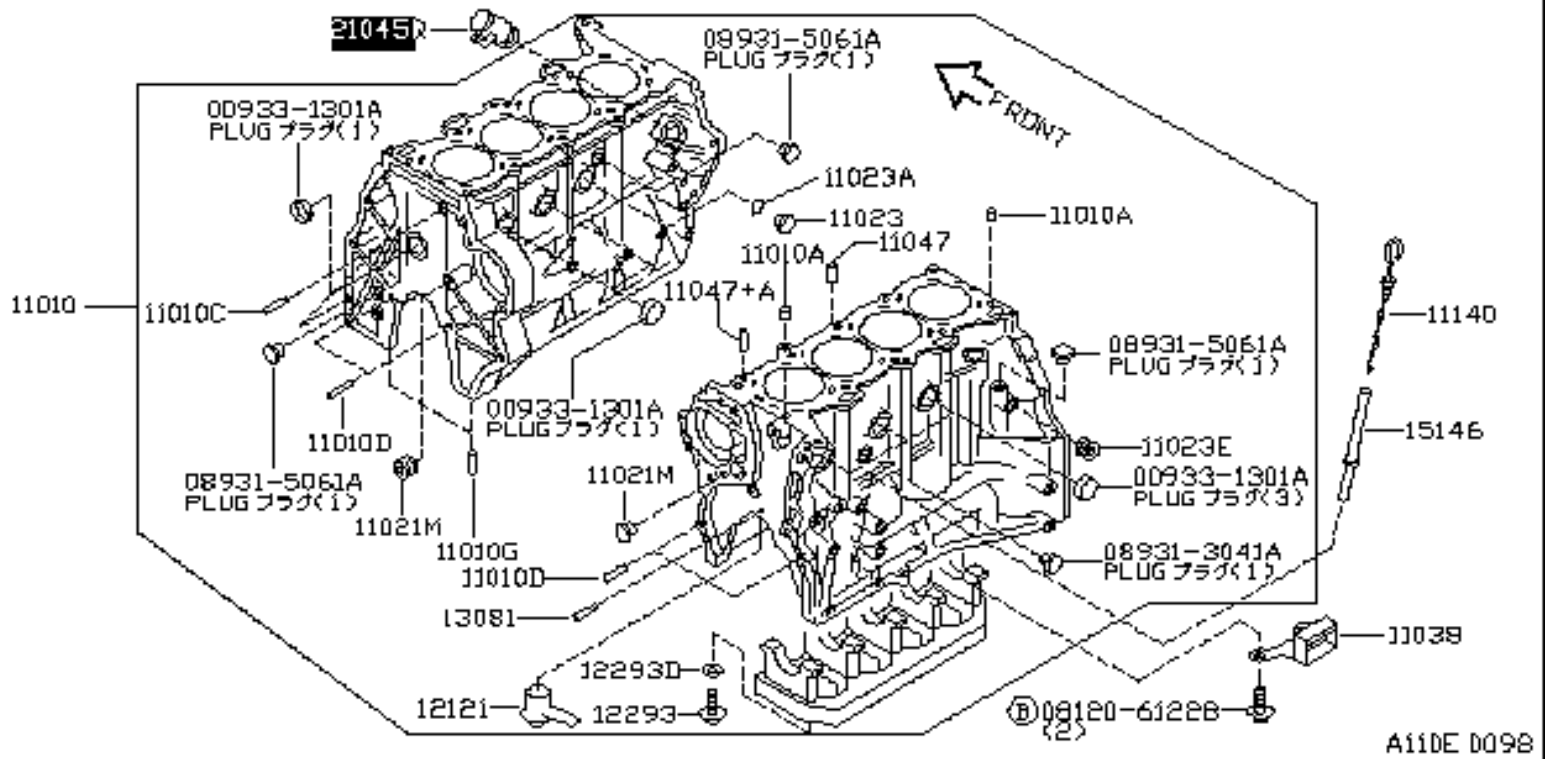


A736* 0109

[Page 2](#)

[Back To Body Front](#)

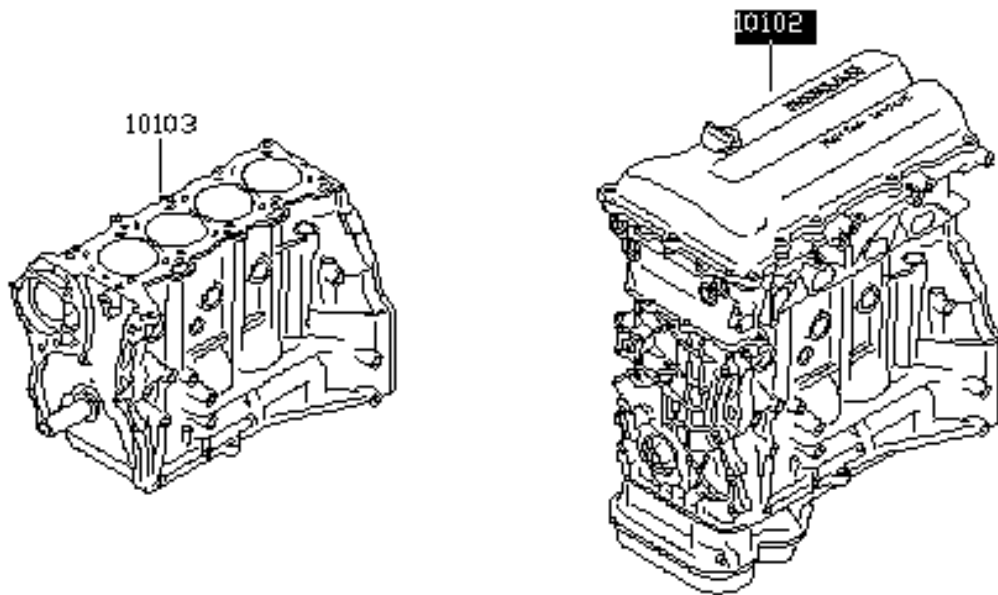
Nissan Pulsar GTI-R - Cylinder Block & Oil Pan - Part 1



[Page 2](#)

[Back to Engine Mechanical Menu](#)

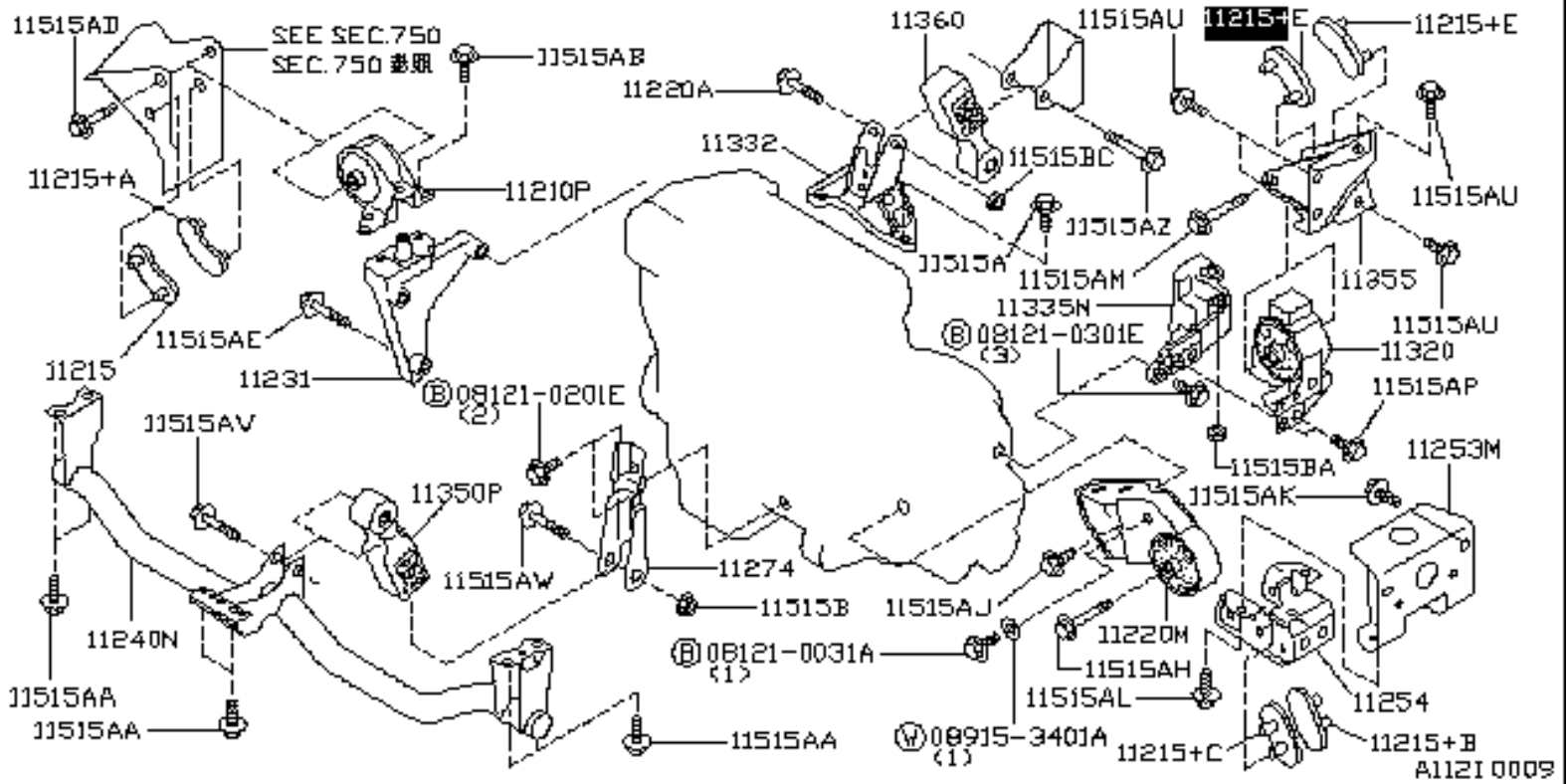
Nissan Pulsar GTI-R - Bare & Short Engine



A101E 0072

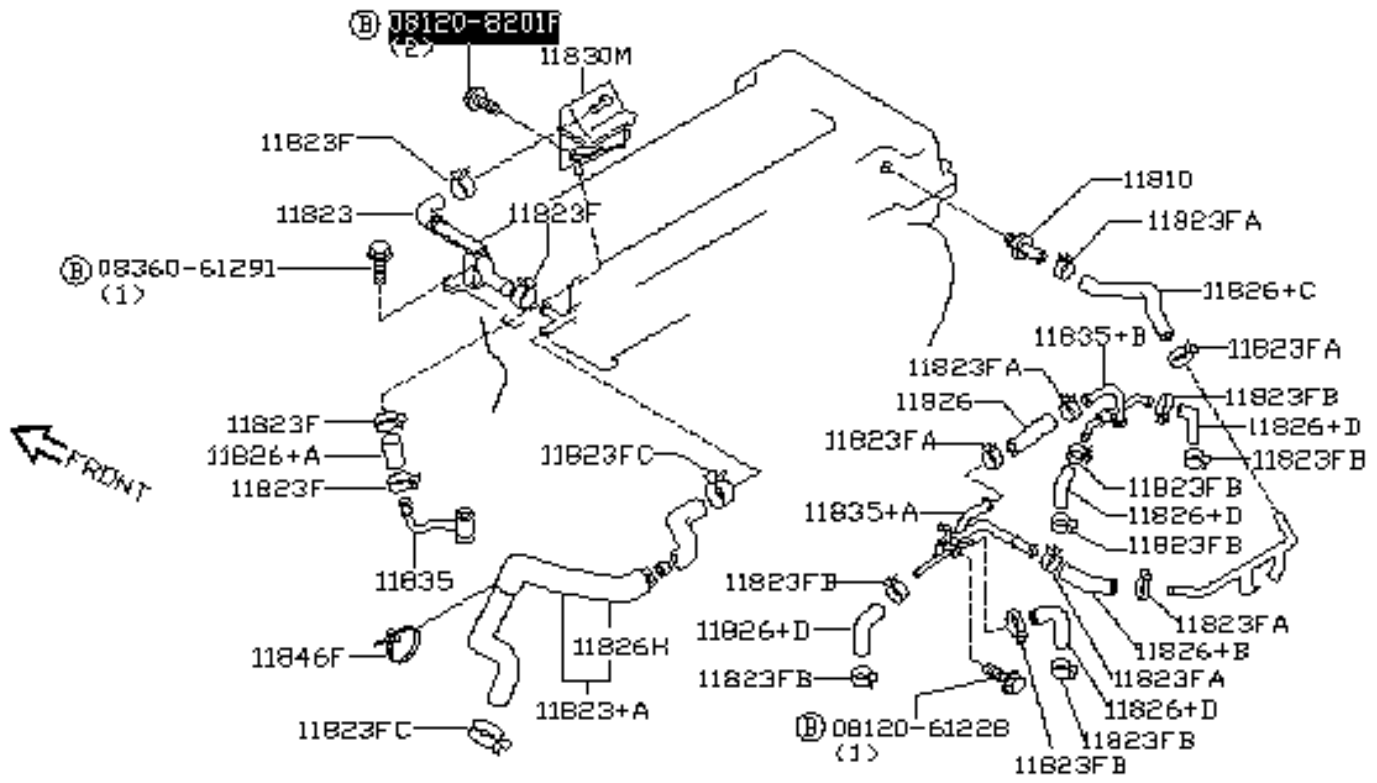
[Back to Engine Mechanical Menu](#)

Nissan Pulsar GTI-R - Engine & Transmission Mountings



[Back to Engine Mechanical Menu](#)

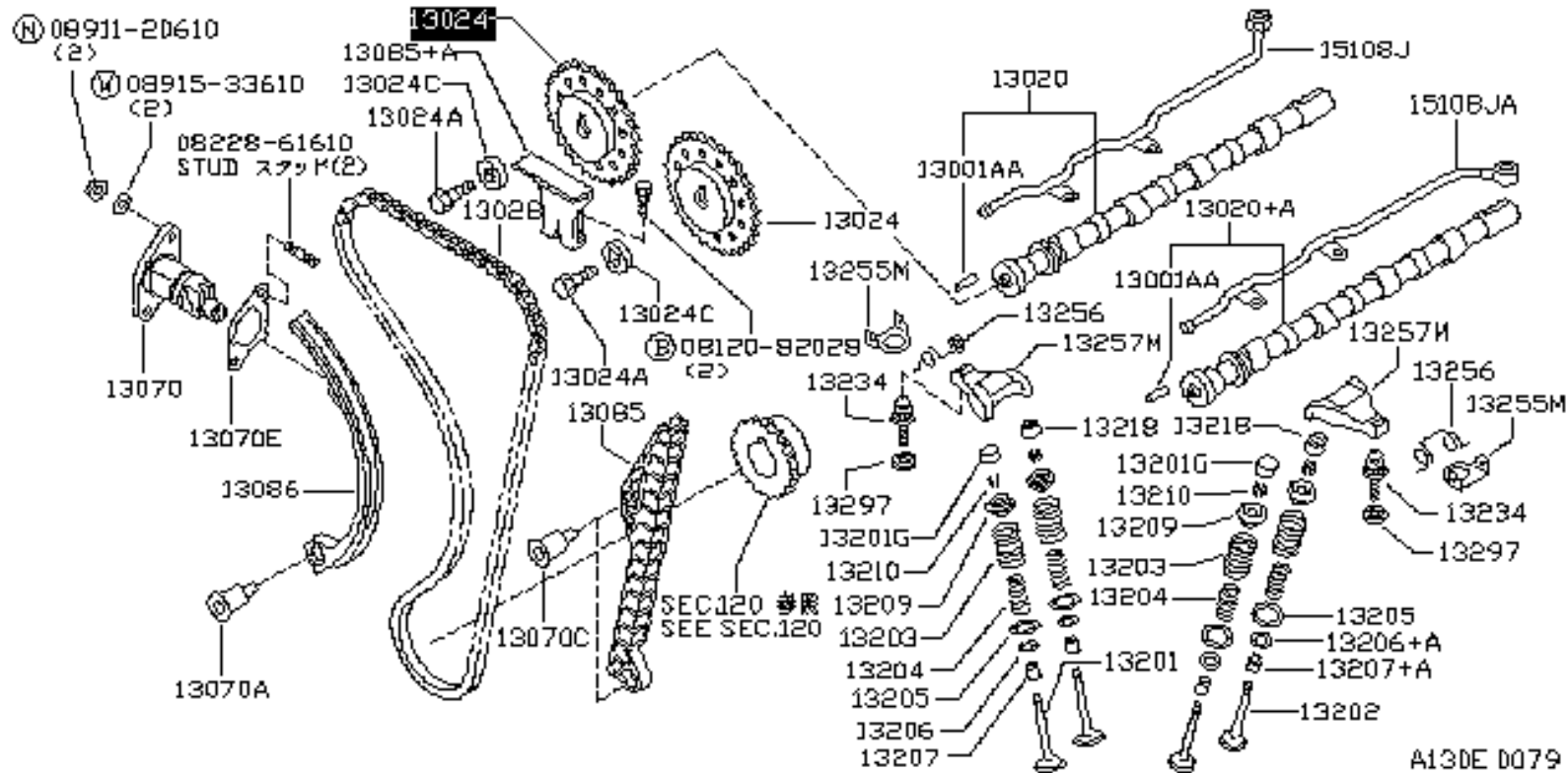
Nissan Pulsar GTI-R - Crankcase Ventilation



A118E 0078

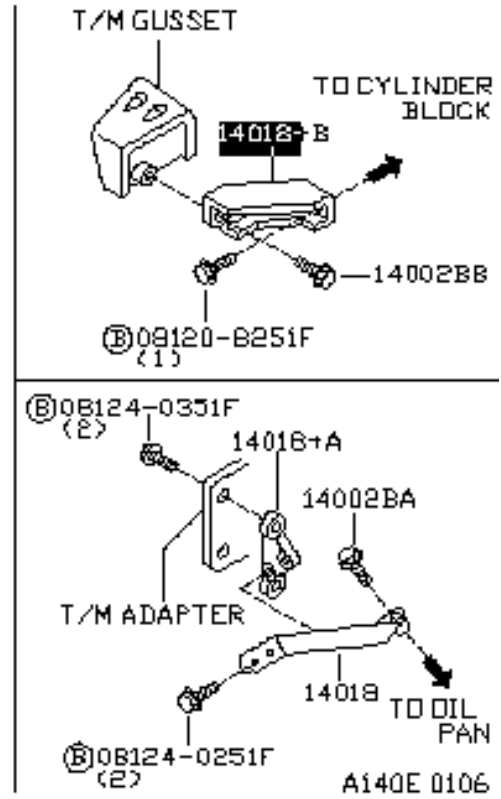
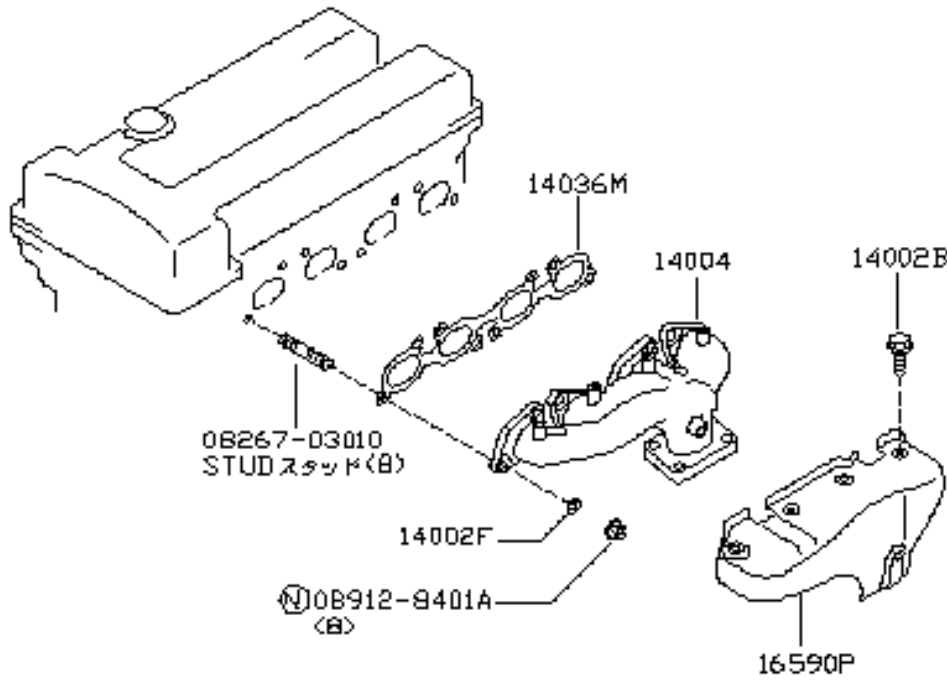
[Back to Engine Mechanical Menu](#)

Nissan Pulsar GTI-R - Camshafts & Valves



Back to Engine [Mechanical Menu](#)

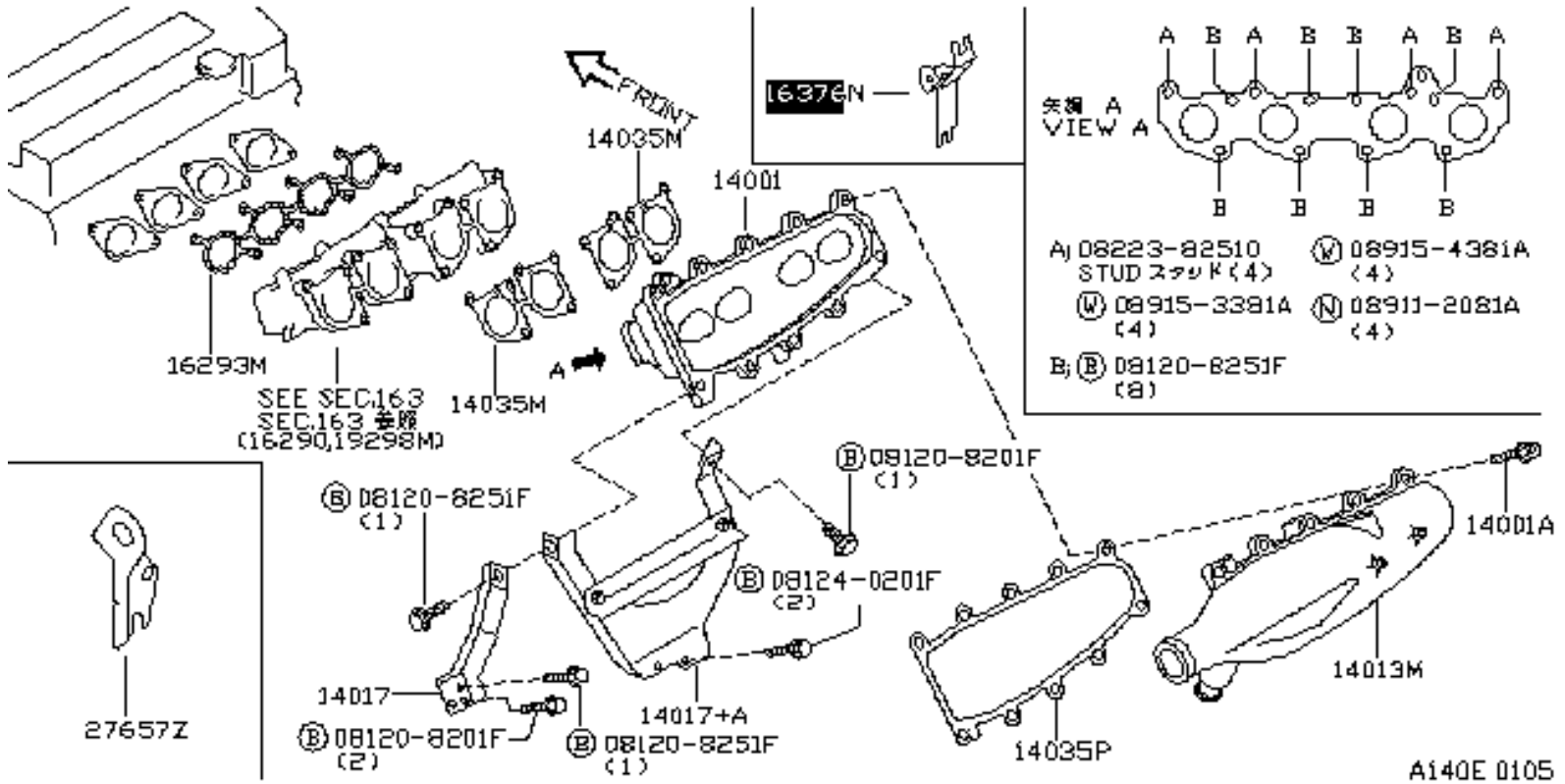
Nissan Pulsar GTI-R - Exhaust Manifold



A140E 0106

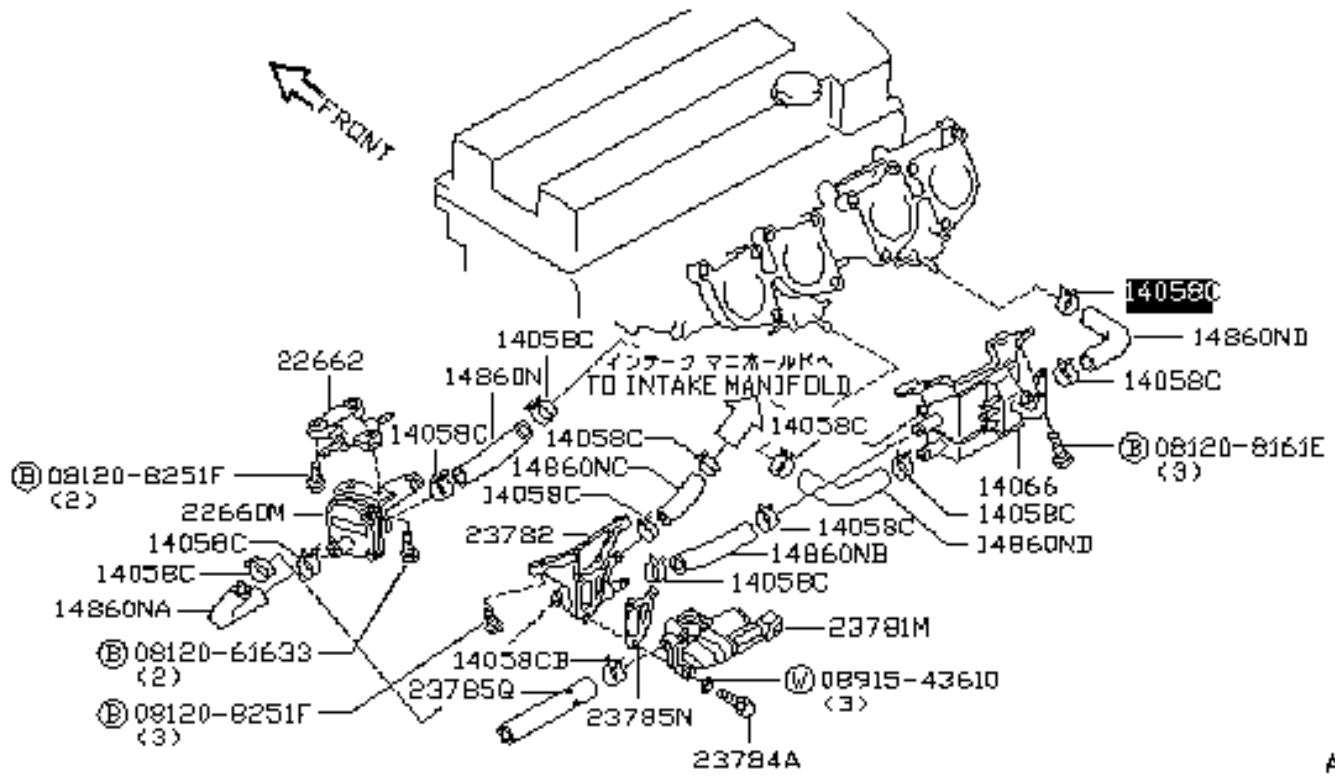
Next Page - [Manifold Intake](#)

Nissan Pulsar GTI-R - Intake Manifold



Back to Engine [Mechanical Menu](#)

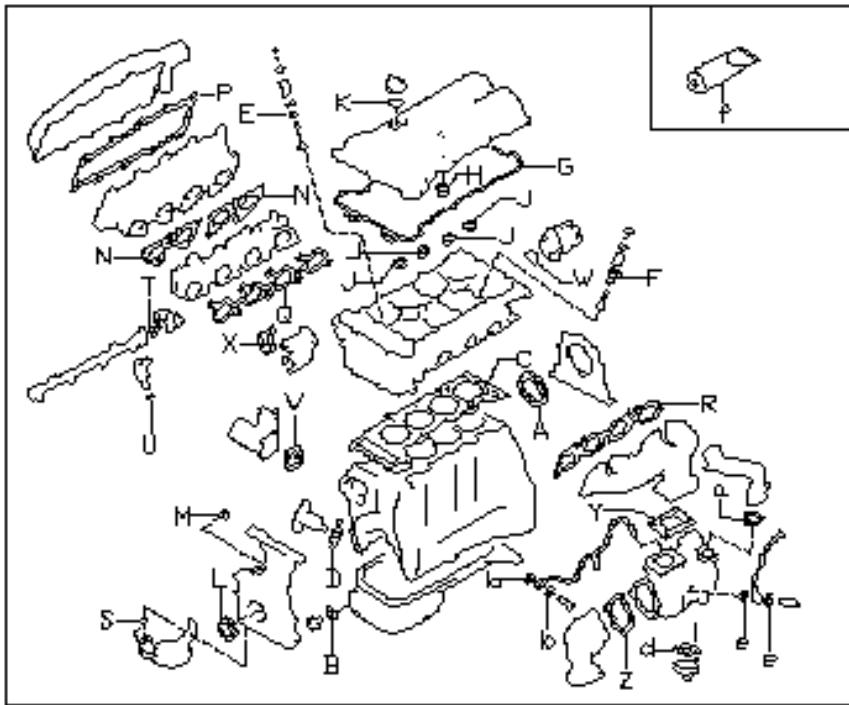
Nissan Pulsar GTI-R - Secondary Air System



A148E 0038

[Back to Engine Mechanical Menu](#)

Nissan Pulsar GTI-R -Engine Gasket Kits



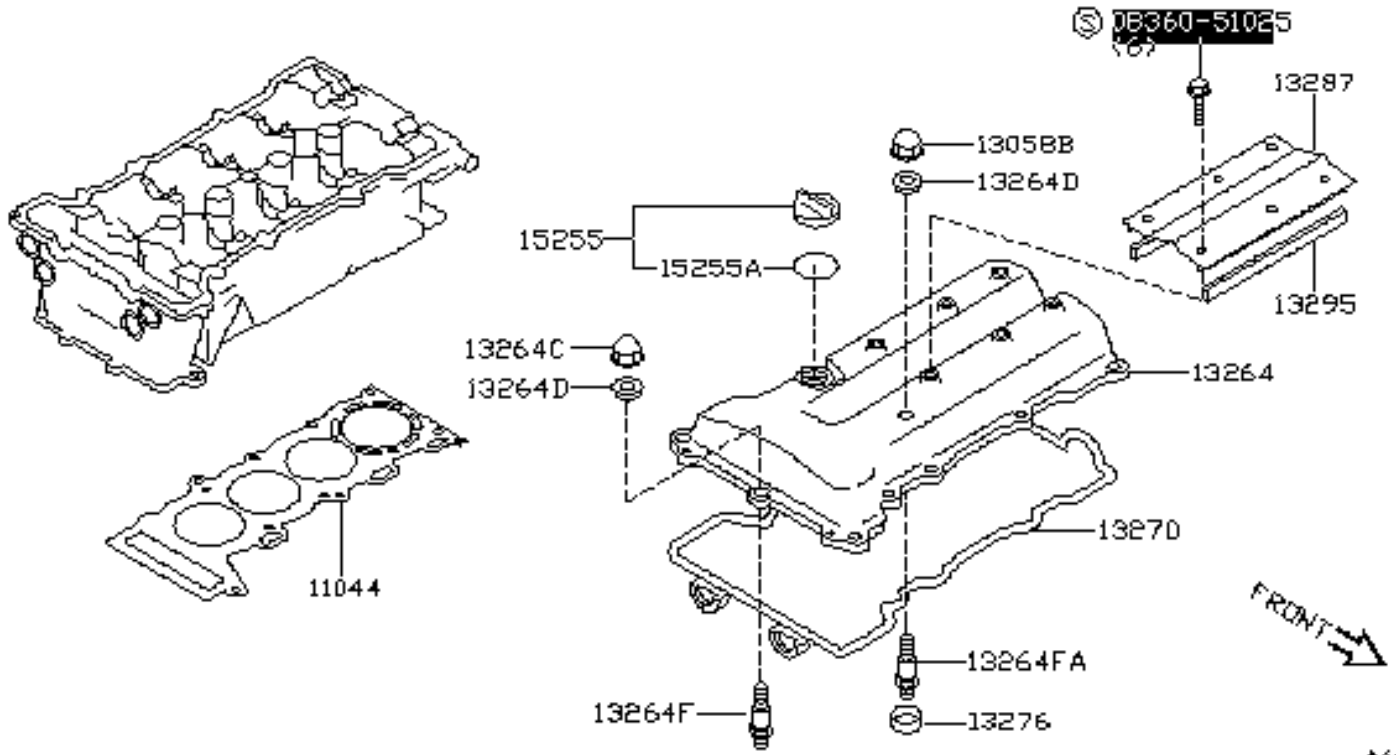
NOTES:

a. CODE NO.	11011K	GASKET KIT ENGINE REPAIR	Q'TY
A	SEAL, OIL CRANKSHAFT REAR	1	
B	GASKET, DRAIN PLUG	1	
C	GASKET, CYLINDER HEAD	1	
D	GASKET, CHAIN TENSIONER	1	
E	SEAL, OIL VALVE (INTAKE)	2	
F	SEAL, OIL VALVE (EXHAUST)	2	
G	GASKET, ROCKER COVER	1	
H	GASKET, ROCKER COVER	1	
J	GASKET, ROCKER COVER	4	
K	GASKET, OIL FILLER CAP	1	
L	SEAL, OIL CRANKSHAFT FRONT	1	
M	SEAL, O-RING	1	
N	GASKET, INTAKE MANIFOLD	1	
P	GASKET, COLLECTOR INTAKE	1	
Q	GASKET, THROTTLE CHAMBER	1	
R	GASKET, EXHAUST MANIFOLD	1	
S	SEAL, O-RING OIL STRAINER	1	
T	SEAL, O-RING PRESSURE REGULATOR	1	
U	SEAL, O-RING INJECTOR LOWER	4	
V	GASKET, OIL COOLER BRACKET	1	
V	O-RING, SUPPORT DISTRIBUTOR	1	
X	GASKET, AAC VALVE	1	
Y	GASKET, TURBO CHARGER, INLET	1	
Z	GASKET, TURBO CHARGER, OUTLET	1	
1	GASKET, INLET TUBE, AIR	1	
2	GASKET, OIL TUBE, INLET	1	
3	GASKET, OIL TUBE, OUTLET	1	
4	GASKET, EYE BOLT	1	
5	GASKET, LIQUID	1	
b. CODE NO.	11042K	GASKET KIT VALVE REGRIND	Q'TY
C	GASKET, CYLINDER HEAD	1	
E	SEAL, OIL VALVE (INTAKE)	1	
F	SEAL, OIL VALVE (EXHAUST)	2	
G	GASKET, ROCKER COVER	1	
H	GASKET, ROCKER COVER	1	
J	GASKET, ROCKER COVER	4	
N	GASKET, INTAKE MANIFOLD	1	
R	GASKET, EXHAUST MANIFOLD	1	
V	O-RING, SUPPORT DISTRIBUTOR	1	

A102E 0075

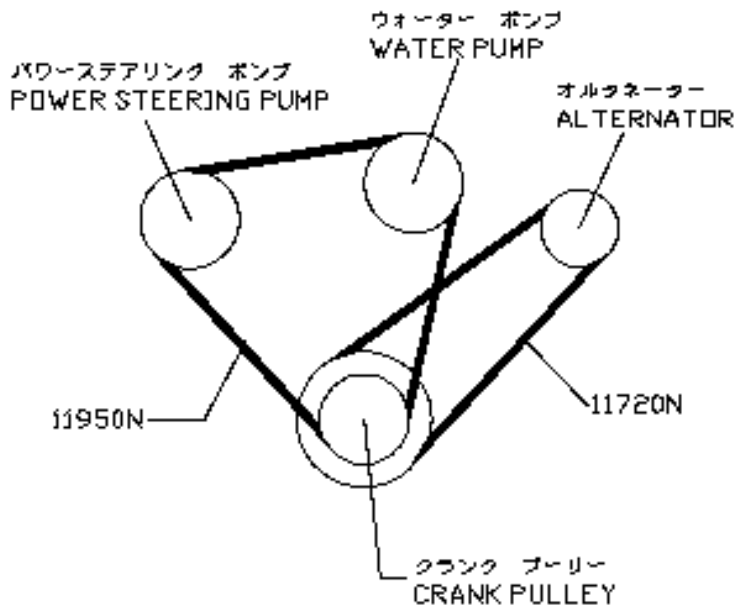
[Back to Engine Mechanical Menu](#)

Nissan Pulsar GTI-R - Cylinder Head & Rocker Cover - Part 1

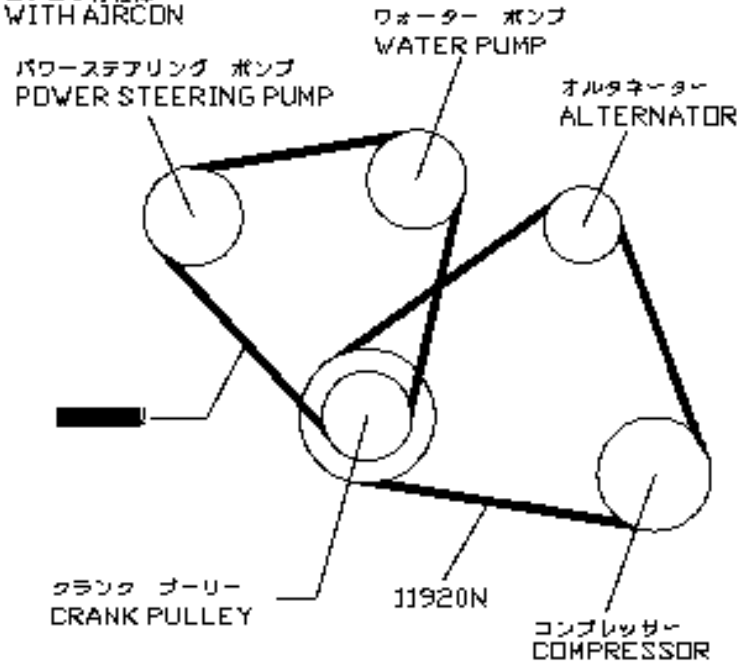


Nissan Pulsar GTI-R - Belts

STD



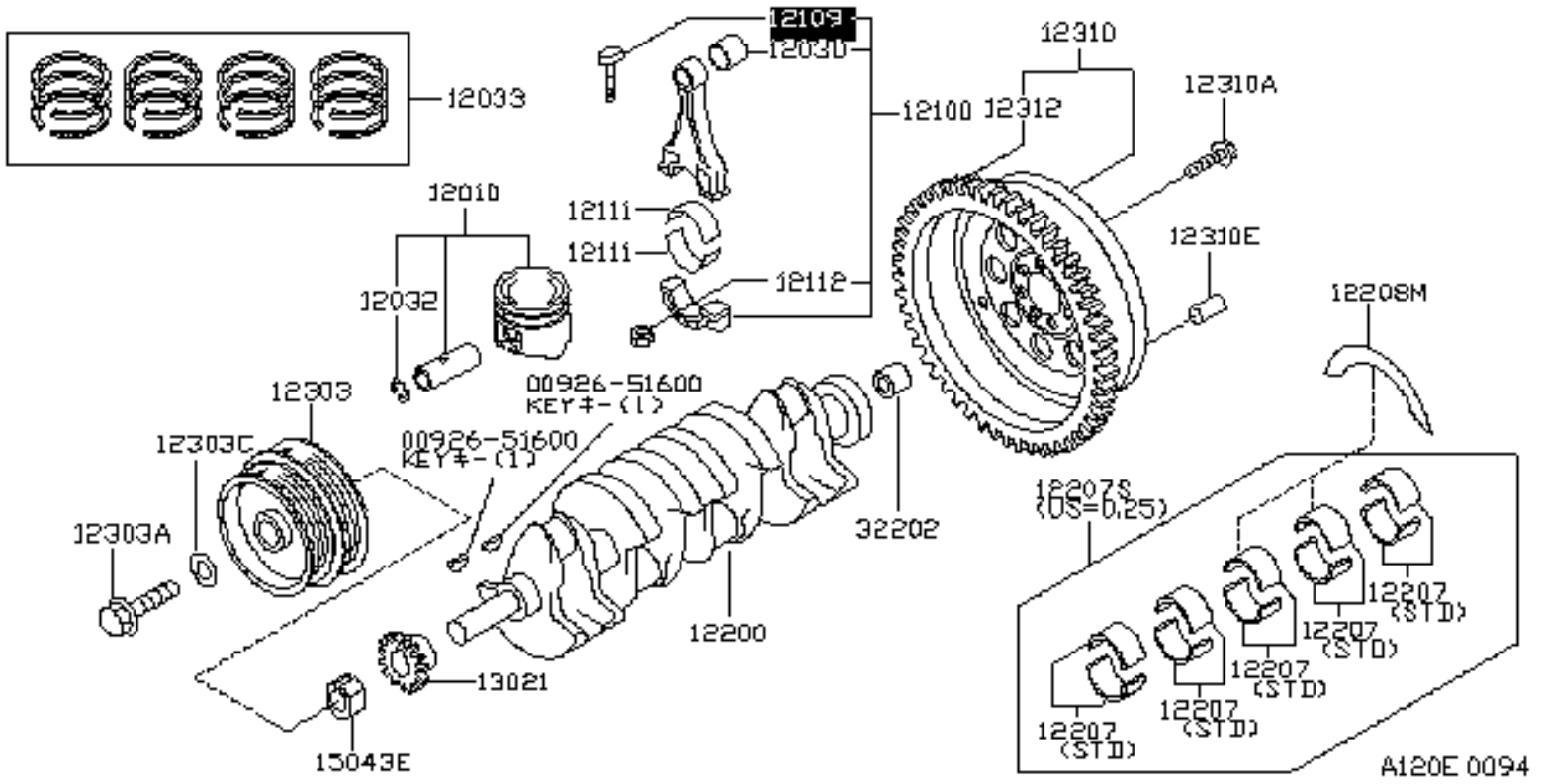
エアコン付仕様
WITH AIRCOND



A117F 0056

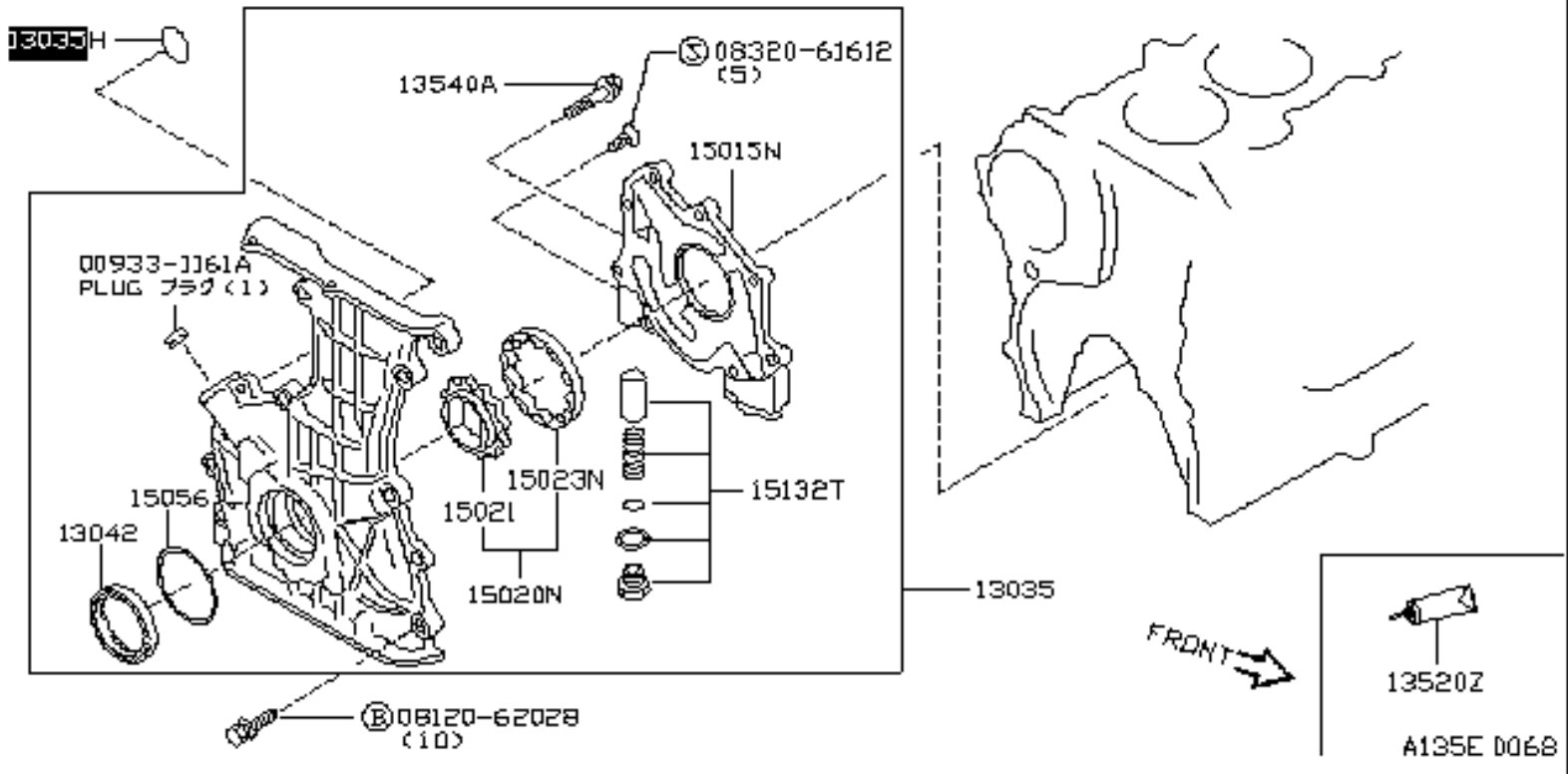
[Back to Engine Mechanical Menu](#)

Nissan Pulsar GTI-R - Pistons, Crankshaft & Flywheel



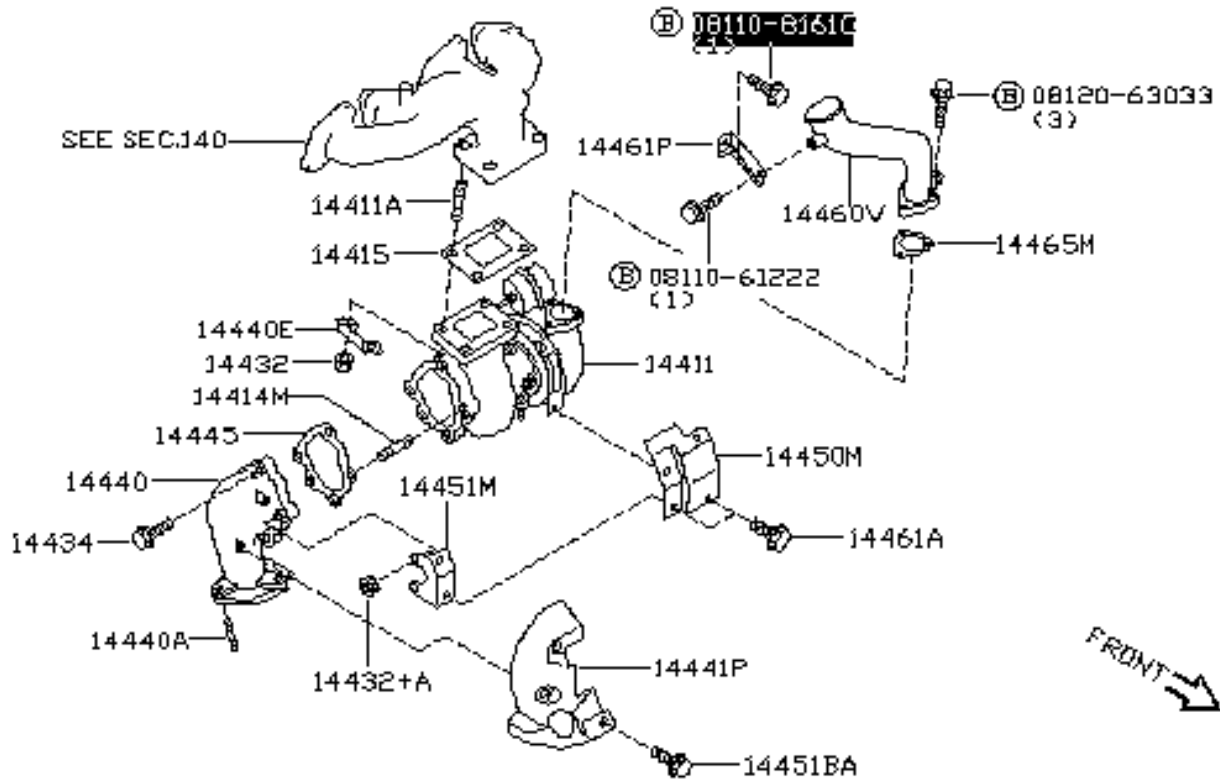
Back to Engine [Mechanical Menu](#)

Nissan Pulsar GTI-R - Front Cover (Oil Pump)



[Back to Engine Mechanical Menu](#)

Nissan Pulsar GTI-R - Turbo & Intercooler - Page 1

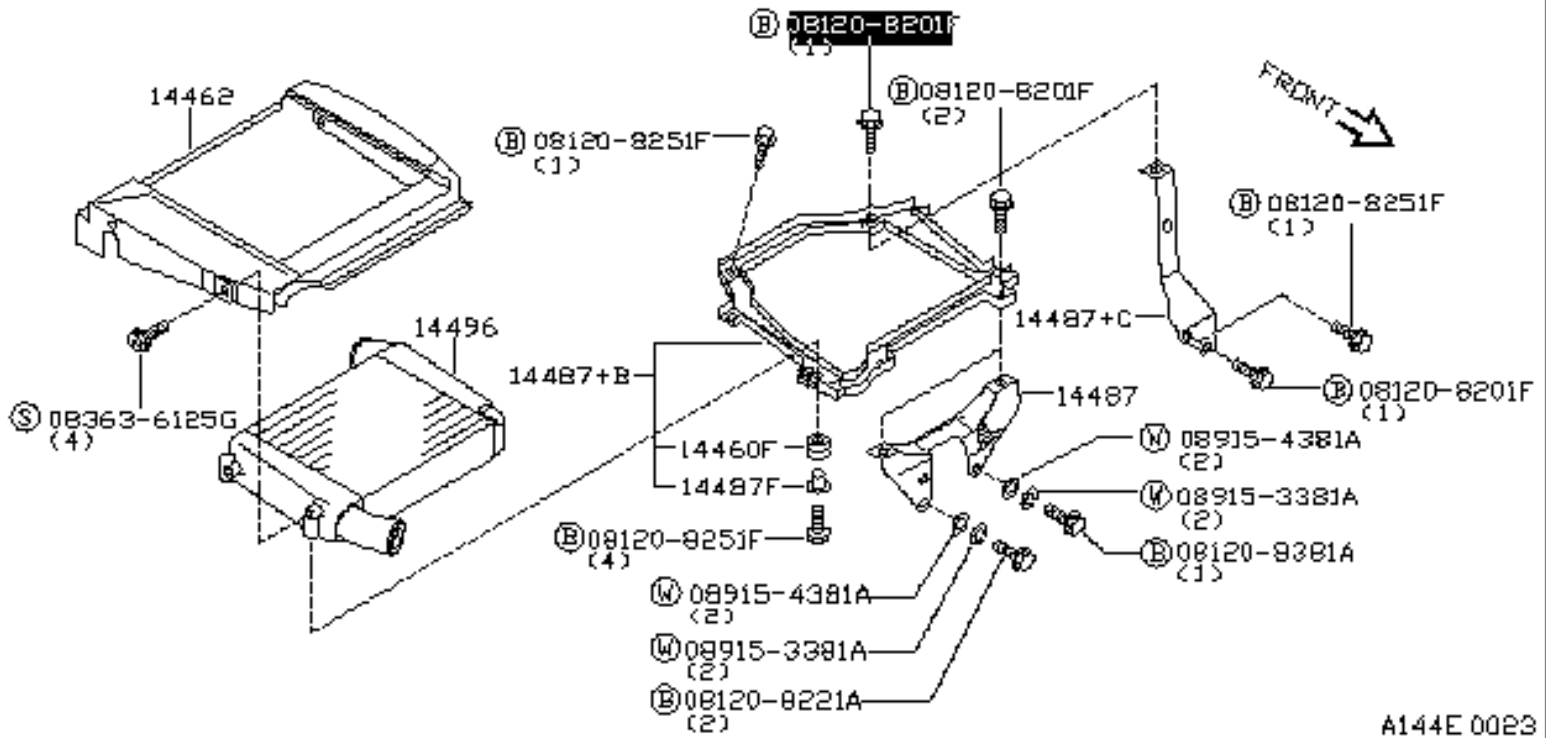


A144E 0022

[Page 2](#)

[Back to Engine Mechanical Menu](#)

Nissan Pulsar GTI-R - Turbo & Intercooler - Page 2

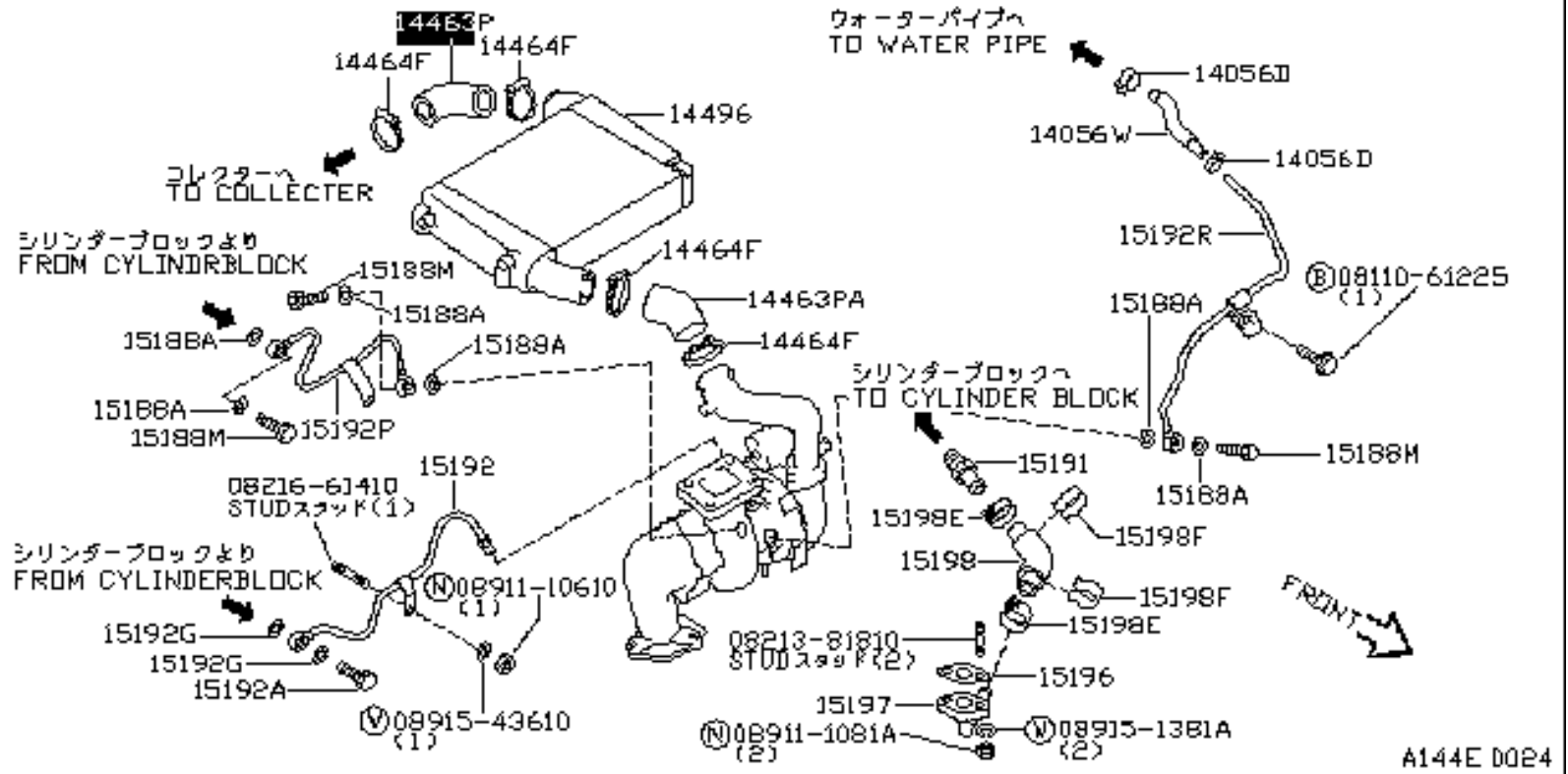


A144E 0023

[Page 3](#)

[Back to Engine Mechanical Menu](#)

Nissan Pulsar GTI-R - Turbo & Intercooler - Page 3

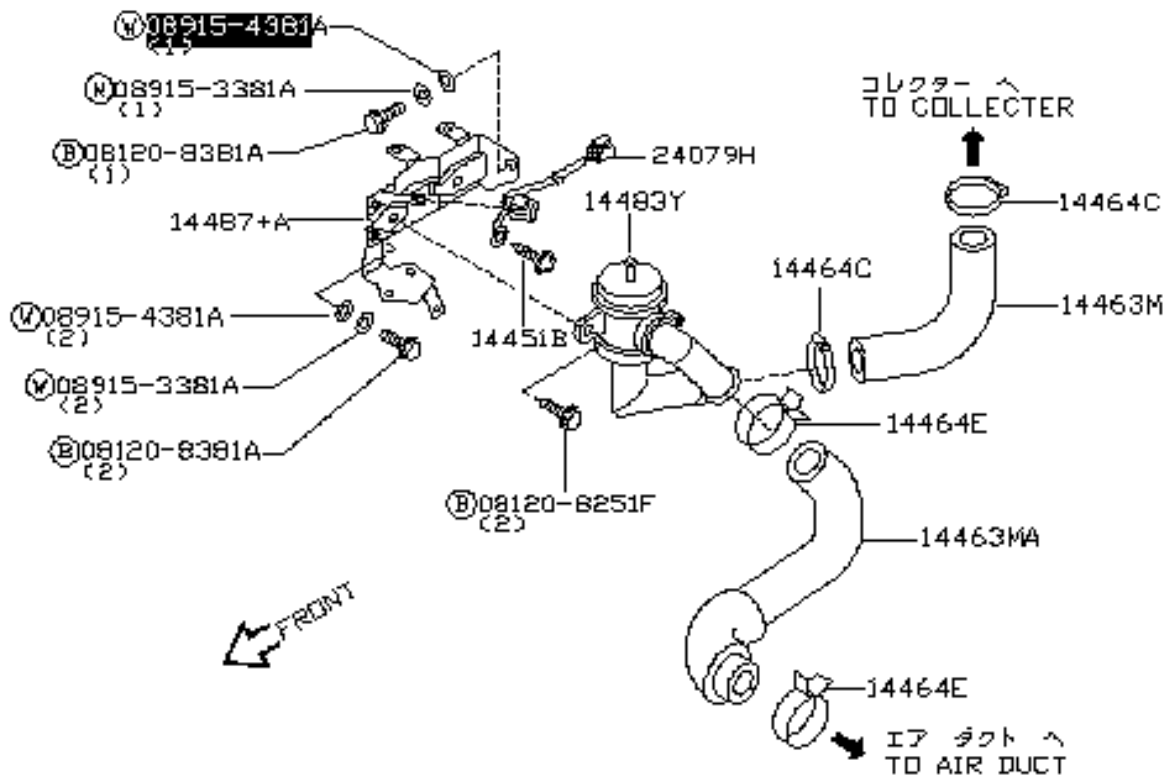


A144E D024

[Page 4](#)

[Back to Engine Mechanical Menu](#)

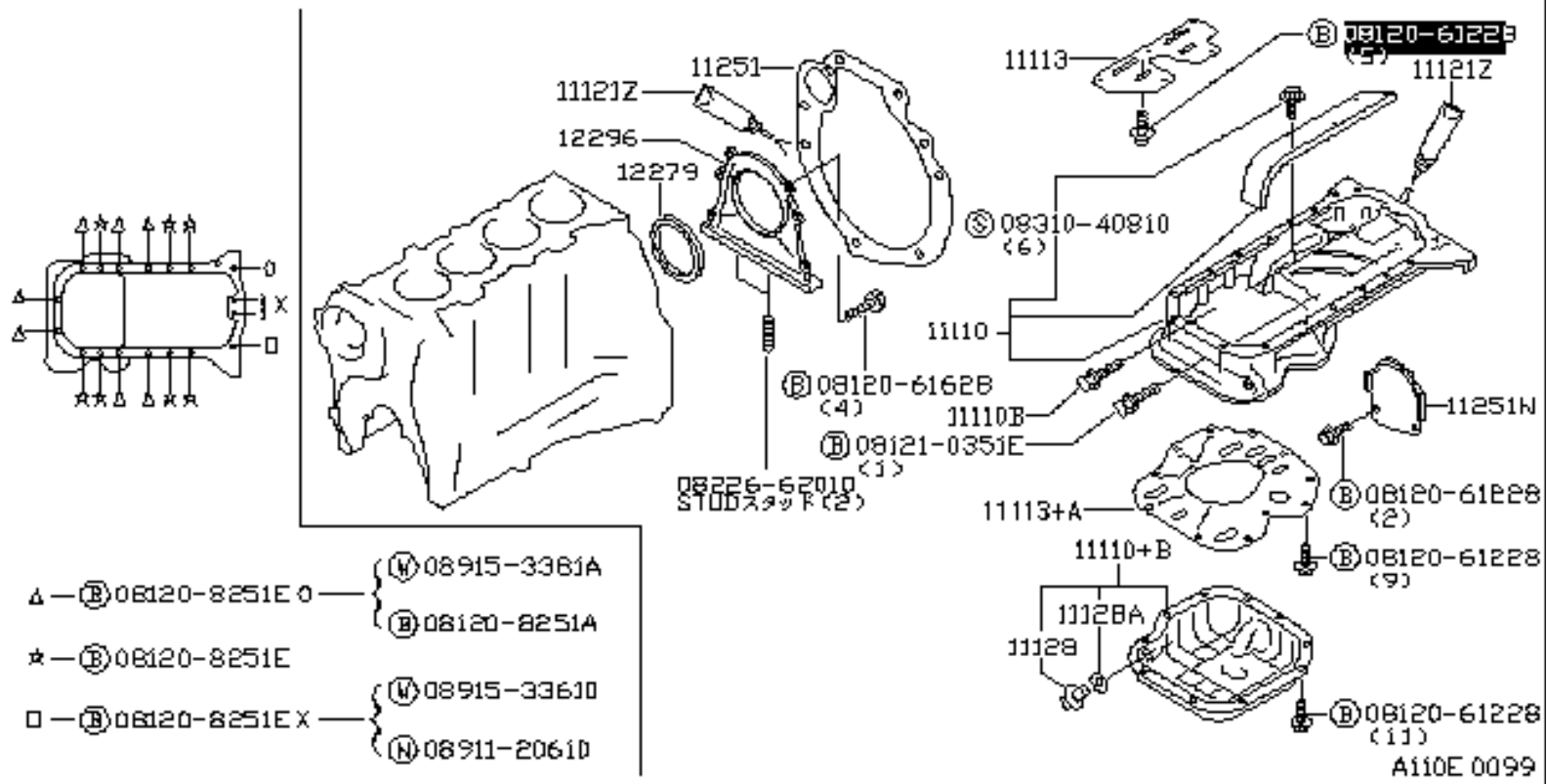
Nissan Pulsar GTI-R - Turbo & Intercooler - Page 4



A144E 0025

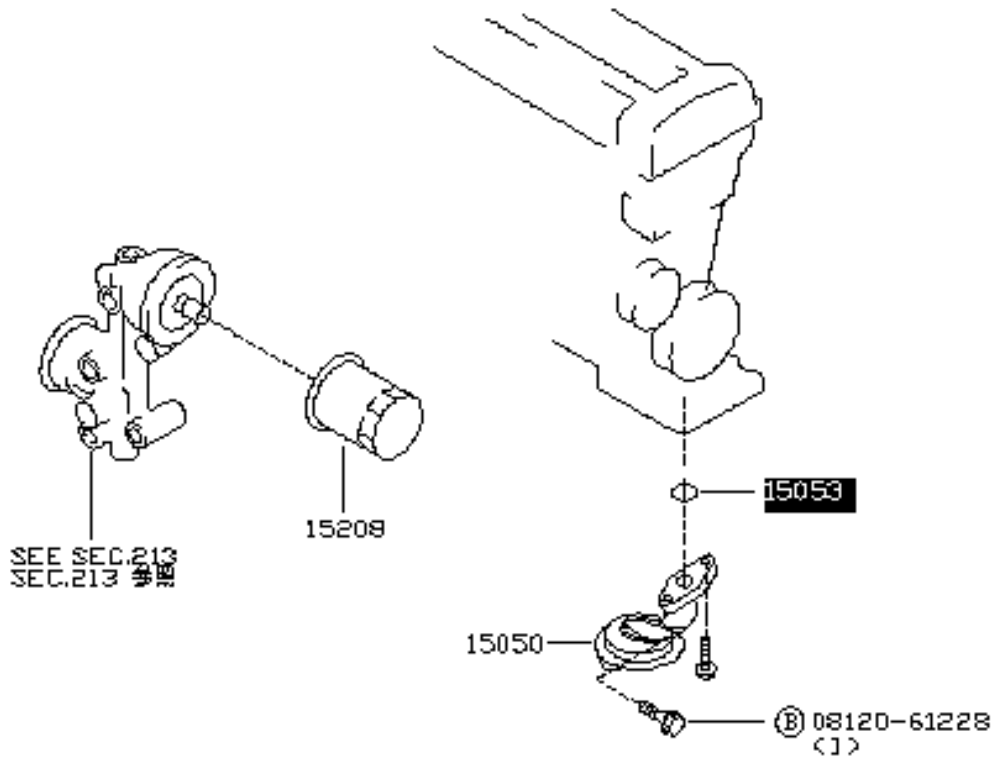
[Back to Engine Mechanical Menu](#)

Nissan Pulsar GTI-R - Cylinder Block & Oil Pan - Part 2



[Back to Engine Mechanical Menu](#)

Nissan Pulsar GTI-R - Lubrication System



A150E 0057

[Back to Engine Mechanical Menu](#)